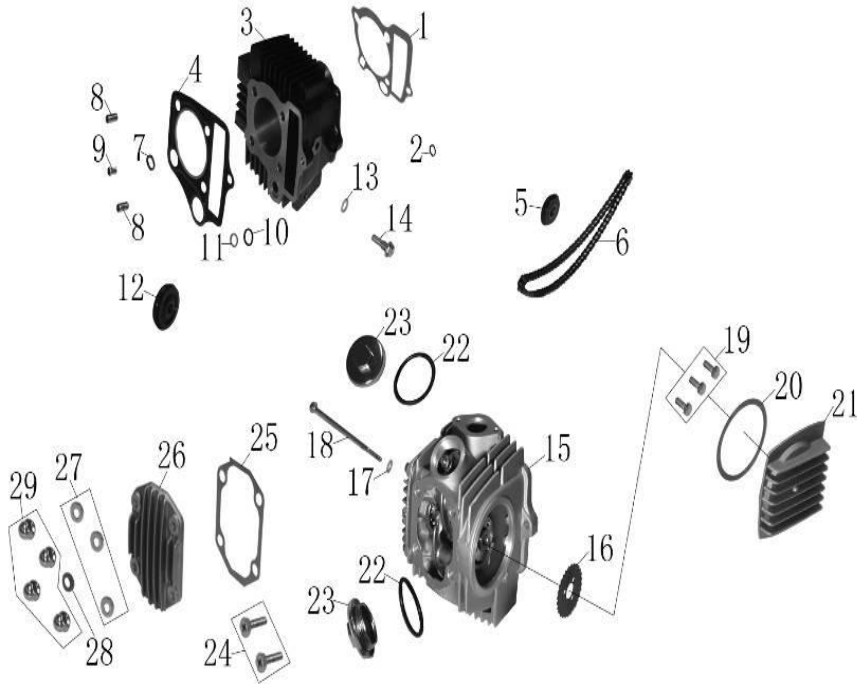


# HD70

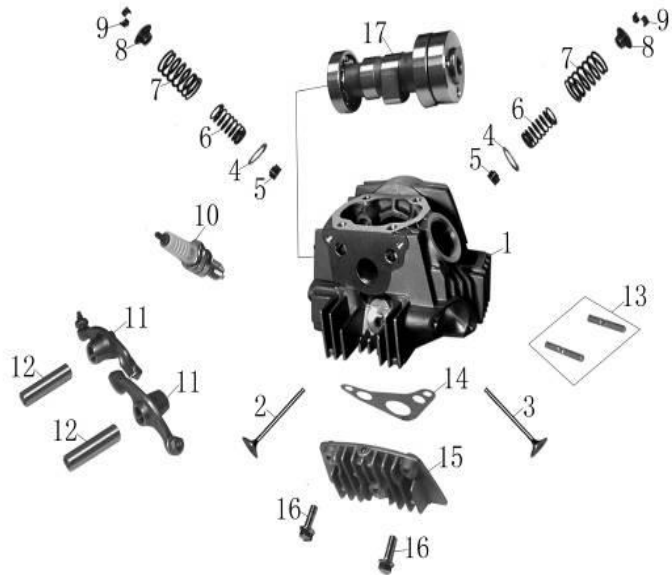
## E-1 CYLINDER ASSEMBLY



NO.		ERP PARTS N	DESCRIPTION	QTY
1	P110001	72130030	Gasket, Cylin Block	1
2	P110002	73010519	Rectangle oil seal $\phi 14 \times \phi 19 \times 2.5$	1
3	P110003	27010001	Cylinder body	1
4	P110004	72130039	Cylinder head gasket	1
5	P110005	73010459	Tension wheel	1
6	P110006	15160008	Timing chain	1
7	P110007	73010518	Rectangle seal-ring $\phi 9 \times \phi 12 \times 1.5$	1
8	P110008	72060012	Dowel pin, cylinder head	2
9	P110009	72060024	Connect oil bush, cylinder	1
10	P110010	73010520	Oil pipe washer	1
11	P110011	72040162	Washe	1
12	P110012	73010460	Oriented wheel	1
13	P110013	72040162	Washe	1
14	P110014	72010811	Pin axle, Oriented wheel	1
15	P110015	22010001	Cylinder Head Comp	1
16	P110016	15170064	Timing driven sprocket	1
17	P110017	72040279	Washe	1
18	P110018	72010409	Bolt M6 $\times$ 110	1
19	P110019	72010824	Bolt M5 $\times$ 12	3
20	P110020	72130057	Cylinder head L • cover gasket	1
21	P110021	22120002	Cylinder head L • cover	1
22	P110022	72150003	Valve cover O—ring	2
23	P110023	72140002	Valve cover	2
24	P110024	72010661	Bolt	2
25	P110025	72130061	ylinder head cover gasket	1
26	P110026	22150025	Cylinder head cover	1
27	P110027	72040088	Washe	3
28	P110028	72040280	Washe	1
29	P110029	72020081	Cap nut	4

## E-2 VALVE MECHANISM

NO.		ERP PARTS N	DESCRIPTION	QTY
1	P110030	22010001	Cylinder body assembly assy	1
2	P110031	22020001	Valve, intake	1



3	P110032	22020002	Valve, exhaust	1
4	P110033	73030487	Seat, Valve Outer Spring	2
5	P110034	72110025	Seal, Valve Stem	2
6	P110035	72120001	Outer Spring, Valve	2
7	P110036	72120007	Inler Spring, Valve	2
8	P110037	22040002	Clip, Valve	4
9	P110038	22030001	Retainer, Valve Spring	2
10	P110039	31170002	Spark Plug	1
11	P110040	22050001	Intake valve rocker arm	2
12	P110041	22070001	Rocker arm shaft	2
13	P110042	72010420	Bolt M6×32	2
14	P110043	72130060	Cylinder head R • cover gasket	1
15	P110044	22130001	R • oil seal retainer	1
16	P110045	72010159	Bolt M6×20	2
17	P110046	22080001	Camshaft assembly assy	1

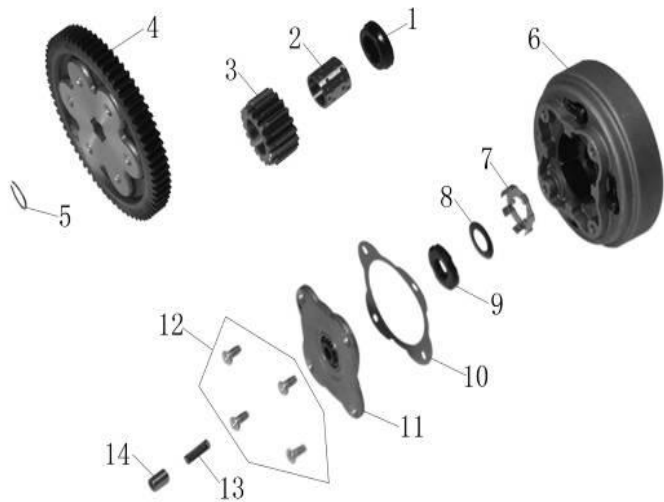
### E-3 CRANKCASE COVER



NO.	ERP PARTS	DESCRIPTION	QTY	
1	P110047	72060013	Dowel pin	2
2	P110048	72130021	R • crankcase cover gasket	1
3	P110049	13010056	R • crankcase cover assy	1
4	P110050	22090004	Clutch handspike	1
5	P110051	72020013	Nut M6	1
6	P110052	72010471	Screw	1
7	P110053	72110019	Oil seal, handspike	1
8	P110054	73030485	Joy stick press plank, clutch	1
9	P110055	73030486	Clutch dial plank	1
10	P110056	72010155	Bolt M6×12	1
11	P110057	72060025	Orientation pin, clutch joy stick	1
12	P110058	13030001	Observe window, Oil	1
13	P110059	73010172	Dipstick	1
14	P110060	72120010	Spring, clutch joy stick	1
15	P110061	24030001	Clutch joy stick assy	1
16	P110062	73030481	High press line claw	1
17	P110063	72010177	Bolt M6×85	1
18	P110064	72010176	Bolt M6×80	1

19	P110065	72010392	Bolt M6×65	1
20	P110066	72010389	Bolt M6×40	5
21	P110067	72060013	Dowel pin	2
22	P110068	14030005	L • crankcase assy	1
23	P110069	72010393	Bolt M6×70	1
24	P110070	72010173	Bolt M6×50	1
25	P110071	72010389	Bolt M6×40	2
26	P110072	72010390	Bolt M6×55	2

#### E-4 CLUTCH



NO.		ERP PARTS	DESCRIPTION	QTY
1	P110073	24020027	Bush, primary initiative gear	1
2	P110074	24070012	Washer, primary initiative gear	1
3	P110075	24020001	Primary initiative gear	1
4	P110076	24020003	Primary driven gear assy	1
5	P110077	72080014	Retainer ring	1
6	P110078	24120004	Automatism clutch	1
7	P110079	24070005	Washer	1
8	P110080	24070022	Butterfly washer	1
9	P110081	72020094	Clutch fixing nut	1
10	P110082	72130068	Seal cushion, clutch end cover	1
11	P110083	24070017	End cover, clutch	1
12	P110084	72030028	Bolt M5×12	4
13	P110085	24070004	Connect oil pipe, crankshaft	1
14	P110086	24070003	Spring, connect oil pipe	1

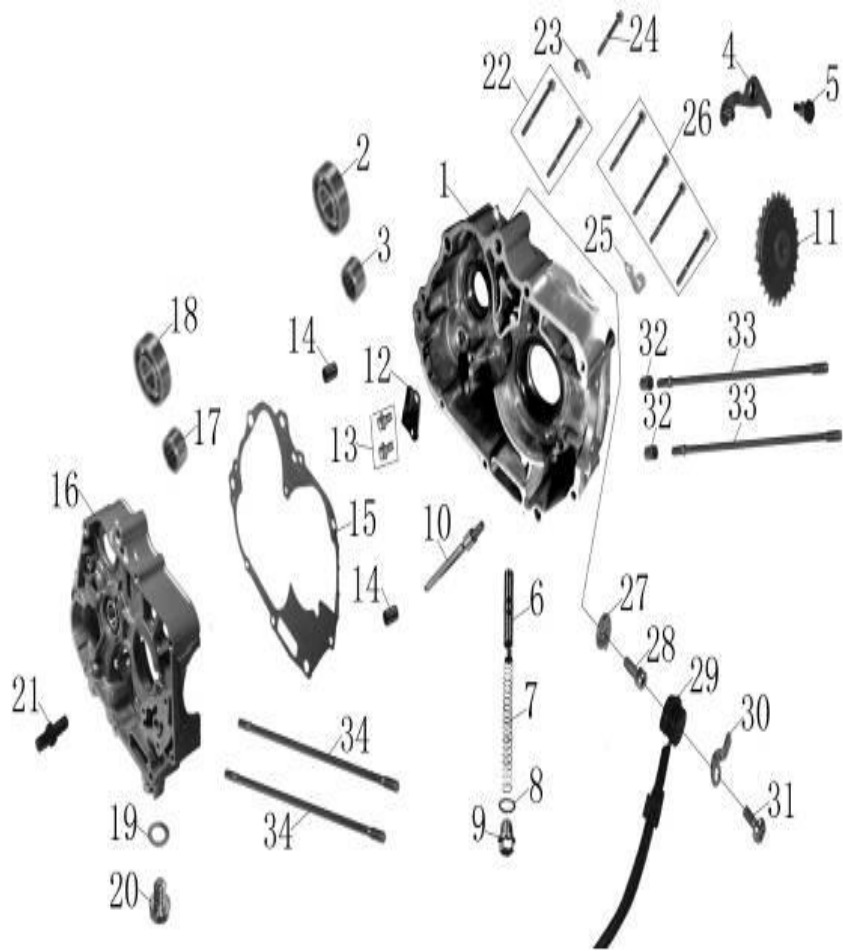
#### E-6 MAGNETO



NO.		ERP PARTS	DESCRIPTION	QTY
1	P110087	31140002	Stator	1
2	P110088	72010151	Bolt M6×16	2
3	P110089	31150001	Rotor	1
4	P110090	72020043	Lock nut	1

#### E-7 CRANKCASE

NO.		ERP PARTS	DESCRIPTION	QTY
1	P110091	12010014	R • crankcase assy	1
2	P110092	70090055	Bearing 6203	1
3	P110093	70090014	Bearing NK1412	1
4	P110094	11030001	Tension arm assy	1

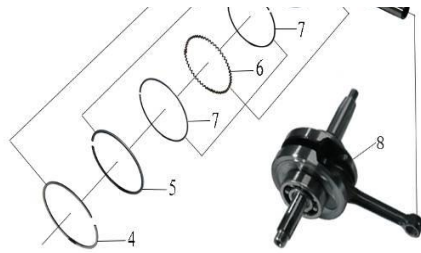


5	P110095	72010528	Tension arm bolt	1
6	P110096	11030002	Tension lever weave	1
7	P110097	72120025	Spring, Tension lever	1
8	P110098	72040152	Washer	1
9	P110099	72010474	Bolt	1
10	P110100	20040001	Shaft, oil pump	1
11	P110101	73010504	Initiative chain wheel ,oil pump	1
12	P110102	15100003	Location plate	1
13	P110103	72010159	Bolt M6×20	2
14	P110104	72060012	Dowel pin φ 8×14	2
15	P110105	72130002	Crankcase gasket	1
16	P110106	11010001	L • crankcase assy	1
17	P110107	70090013	Bearing	1
18	P110108	70090055	Bearing	1
19	P110109	72040159	Washer	1
20	P110110	72010582	Fuel screw	1
21	P110111	72030203	Lock screw	1
22	P110112	72010147	Bolt M6×60	2
23	P110113	73030479	Pipe nip, case body waste pipe	1
24	P110114	72010390	Bolt M6×45	1
25	P110115	73030480	Spill oil pipe nip	1
26	P110116	72010392	Bolt M6×65	4
27	P110117	11040050	Display connector, gear shift	1
28	P110118	72030263	Bolt	1
29	P110119	11040001	Wire harness	1
30	P110120	11040051	Gear cable clip plate	1
31	P110121	72030198	Screw M6×12	1
32	P110122	72060012	Dowel pin Φ 8×14	2
33	P110123	72010442	Cylinder bolt A	2
34	P110124	72010449	Cylinder bolt B	2
35	P110125		Dowel pin φ 10×14	2

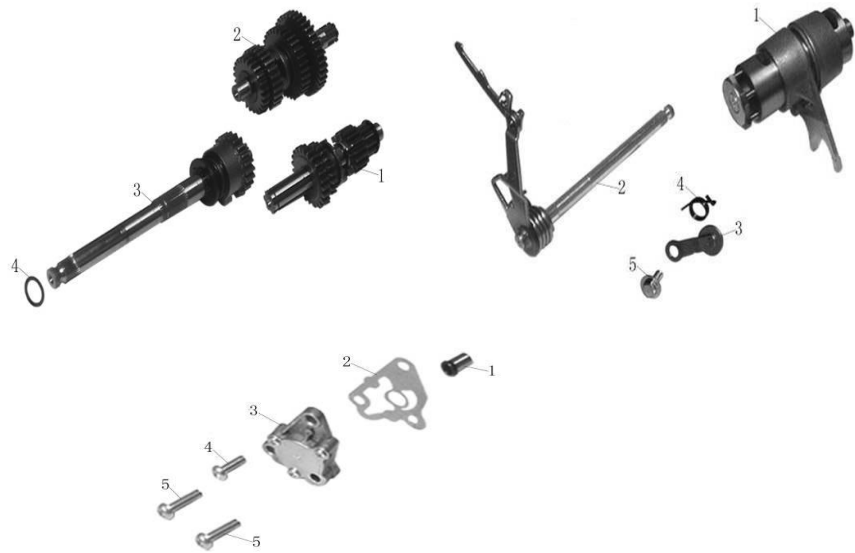
**E-8 CRANKSHAFT & PISTON&CONNECTING ROD COMP**

NO.	ERP PARTS	DESCRIPTION	QTY	
1	P110126	21020001	Piston	1





2	P110127	21040001	Piston pin	1
3	P110128	72080008	Piston pin circlip	2
4	P110129	21030500	Piston ring 1	1
5	P110130	21030501	Piston ring 2	1
6	P110131	21030079	Oil cup	1
7	P110132	21030078	Side ring	2
8	P110133	21010001	Crankshaft connecting rod assy	1



E-9 TRANSMISSION				
NO.		ERP PARTS N	DESCRIPTION	QTY
1	P110134	15020002	Principal axis assy	1
2	P110135	15030001	Countershaft assy	1
3	P110136	15010001	Assy, start axes	1
4	P110137		Washer	1

E-10 GEARSHIFT DRUM				
NO.		ERP PARTS N	DESCRIPTION	QTY
1	P110138	15050002	Drum set, gearshift	1
2	P110139	15070001	SHAFT, GEARSHIFT188mm	1
3	P110140	15080001	Limit Block	1
4	P110141	72120013	Spring	1
5	P110142	72010161	Bolt M6×22	1

E-11 OIL PUMP				
NO.		ERP PARTS N	DESCRIPTION	QTY
1	P110143	20020002	Bush, oil pupm	1
2	P110144	72130063	Gasket, oil pump	1
3	P110145	20010001	Oil pupm assy	1
4	P110146	72030021	BoltM6×16	1
5	P110147	72030168	BoltM6×22	2