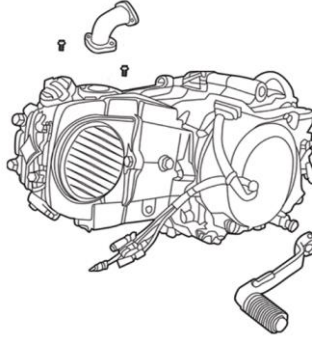




HS 50cc/70cc/90cc E - When ordering parts, specify engine size.



thumpstar.com.au
thumpstar.co.nz
thumpstar.ph

CYLINDER HEAD ASSMBLY

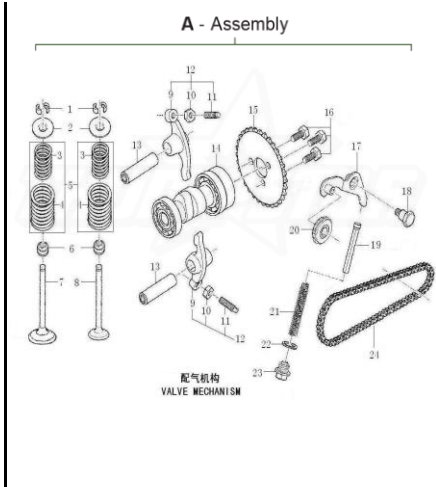
POS.	Huayang U8 coding	ERP CODE	ENGLISH NAME	QTY
A			COMPLETE ASSEMBLY	
1	P061341	91192-D002-00000X	BOLT M6x110	1
2	P061342	B166740A06002070X	BOLT M6x20	2
3	P061343	93301-70651012000	WASHER 6.5x1x12	1
4	P061344	11228-G011-01000W	RIGHT COVER, CYLINDER HEAD	1
5	P061345	90203-D002-0000	GASKET,R.CYLINDER HEAD COVER	1
6	P061346	91138-I015-00000X	BOLT M6x32	2
7	P061347	81300-G011-0000	SPARK PLUG	1
8	P061348	1122B-HZ30-00000W	CYLINDER HEAD ASSY	1
9	P061349	90101-20296000320	O-RING 29.6x3.2	2
10	P061350	11230-D002-00000W	COVER, VALVE CHAMBER	2
11	P061351	11227-G011-01000W	LEFT COVER, CYLINDER HEAD	1
12	P061352	90202-D002-0000	GASKET,L.CYLINDER HEAD COVER	1
13	P061353	90201-D002-0000	GASKET, CYLINDER HEAD UPPER COVER	1
14	P061354	11226-G011-00000W	UPPER COVER, CYLINDER HEAD	1
15	P061355	93301-80732514000	WASHER 7.3x2.5x14	1
16	P061356	93301-2073251400B	WASHER 7.3x2.5x14	3
17	P061357	91201-G011-00000X	NUT M7	4
18	P061358	15810-G001-0000	GASKET, INLET PIPE	1
19	P061359	B057830006002570X	BOLT M6x25	4
20	P061360	15800-F009-0004	INLET PIPE	1
21	P061361	90101-10250000240	O-RING 25x2.4	1
22	P061362	90214-G011-0000	GASKET, CARBURETOR	1
23	P061363	17100-0000-0011	CARBURETOR	1

CYLINDER HEAD

POS.	Huayang U8 coding	ERP CODE	ENGLISH NAME	QTY
A			Complete Assembly	
1	P061364	11235-D002-0000	BUSH 9.5	1
2	P061365	90102-D002-0001	RECTANGLE RING 8x10.8x1.5	1
3	P061366	91521-08001400070	PIN 8x14x7	2
4	P061367	90102-D002-0003	RECTANGLE RING 14x18.2x2.5	1
5	P061368	9022B-HZ30-0000	GASKET ASSY,CYLINDER HEAD	1
6	P061369	B166740A06001670X	BOLT M6x16	1
7	P061370	11003-D002-00000X	CLIP, HIGH VOLTAGE WIRE	1
8	P061371	91113-D002-00000X	BOLT M6x23	1
9	P061372	1110B-HZ01-00010Y	CYLINDER BLOCK ASSEMBLY	1
10	P061373	91113-D083-00000X	BOLT M6x20	1
11	P061374	1533A-HZ30-0000	GUIDE CHAIN ROLLER SET	1
12	P061375	93301-70851514000	WASHER 8.5x1.5x14	1
13	P061376	15302-D002-00000X	GUIDE CHAIN ROLLER PIN	1
14	P061377	90102-D002-0002	RECTANGLE RING 11.5x16x2.5	1
15	P061378	90205-HZ30-0000	GASKET,CYLINDER BLOCK	1
16	P061379	91521-08001200070	PIN 8x12x7	2

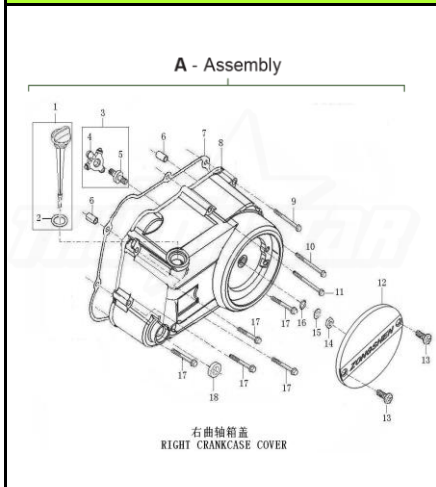
VALVE MECHANISM

POS.	PART NO	ERP CODE	ENGLISH NAME	QTY
A			Complete Assembly	
1	P061380	15707-D002-0000	VALVE COTTER	4



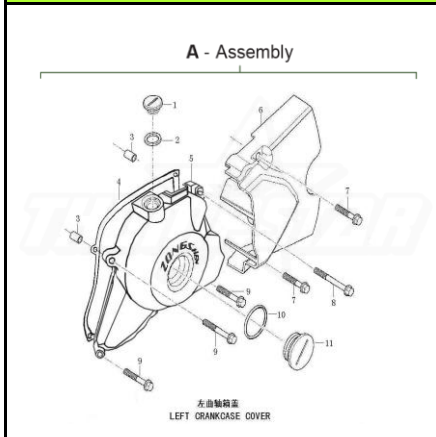
2	P061381	15705-D002-0000	SPRING SEAT	2
3	P061382	15704-D002-0200	VALVE INNER SPRING	2
4	P061383	15703-D002-0000	VALVE OUTER SPRING	2
5	P061384	15710-D002-0200	INNER SPRING ASSY	2
6	P061385	1572B-D002-0000	SEAL, VALVE STEM	2
7	P061386	15701-D002-0000	INLET VALVE	1
8	P061387	15702-D002-0000	EXHAUST VALVE	1
9	P061388	15401-D002-0000	ROCKER ARM	2
10	P061389	15403-D002-0000	NUT, VALVE CLEARANCE	2
11	P061390	15404-D002-0000	SCREW, VALVE CLEARANCE	2
12	P061391	1540A-D002-0000	ROCKER ARM ASSEMBLY, VALVE	2
13	P061392	15402-D002-0000	ROCKER SHAFT	2
14	P061393	15100-G011-0005	CAMP SHAFT COMP	1
15	P061394	15301-D002-0000	TIMING DRIVEN SPROCKET	1
16	P061395	91191-D002-0000	BOLT M6x12	3
17	P061396	1556B-D002-0000	CHAIN ADJUSTING SET	1
18	P061397	15505-D002-0000	AXLE, TENSIONER LEVER	1
19	P061398	1555B-D002-0000	CHAIN TYHT SET	1
20	P061399	1554B-D002-0000	LIFTER ASSY	1
21	P061400	15503-D002-0000	SPRING	1
22	P061401	93301-71451520000	WASHER 14.5x1.5x20	1
23	P061402	91105-D002-0000X	SEALING PLUG M14x1.5	1
24	P061403	1532B-G011-0000	SPROCKET CHAIN	1

RIGHT CRANKCASE COVER



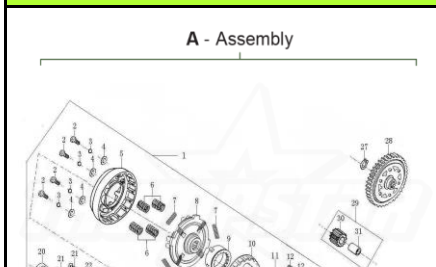
A			Complete Assembly	
1	P061404	14301-G011-0000	OIL RULER ASSY	1
2	P061405	90101-10180000300	O-RING 18x3	1
3	P061406	2244A-G031-0000X	CLUTCH TAPPET	1
4	P061407	22440-G011-0000	CLUTCH TAPPET	1
5	P061408	91112-G031-0000X	BOLT M8	1
6	P061409	91521-08001200063	PIN 8x12x6.3	2
7	P061410	90206-D002-0000	GASKET, R.CRANKCASE COVER	1
8	P061411	12421-G031-000089	COVER COMP, RIGHT CRANKCASE	1
9	P061412	B166740A06008070X	BOLT M6x80	1
10	P061413	B166740A06009070X	BOLT M6x90	1
11	P061414	B166740A06006570X	BOLT M6x65	1
12	P061415	12425-G001-000189	DECORATE COVER, R.CRANKCASE COVER	1
13	P061416	B008200006001620X	SCREW M6x16	2
14	P061417	B061700008000090B	NUT 8	1
15	P061418	B000970108000000B	WASHER φ8	1
16	P061419	90101-10080000180	O-RING 8x1.8	1
17	P061420	B166740A06004070X	BOLT M6x40	5
18	P061421	90304-D002-0000	OIL SEAL 13.8x24x5	1

LEFT CRANKCASE

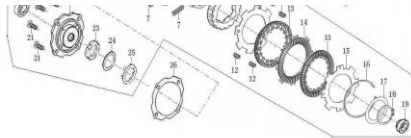


A			Complete Assembly	
1	P061422	12303-G011-000089	CAP, SMALL VIEW HOLE	1
2	P061423	90101-10132000265	O-RING 13.2x2.65	1
3	P061424	91521-08001200063	PIN 8x12x6.3	2
4	P061425	90204-D083-0000	GASKET, L.CRANKCASE COVER	1
5	P061426	12301-D083-000189	FRONT PART, L.CRANKCASE COVER	1
6	P061427	12302-D083-000089	BACK PART, L.CRANKCASE COVER	1
7	P061428	B166740A06002570X	BOLT M6x25	2
8	P061429	B166740A06005570X	BOLT M6x55	1
9	P061430	B166740A06003270X	BOLT M6x32	3
10	P061431	90101-10274000265	O-RING 27.4x2.65	1
11	P061432	12304-G011-000089	CAP, BIG VIEW HOLE	1

CLUTCH ASSEMBLY



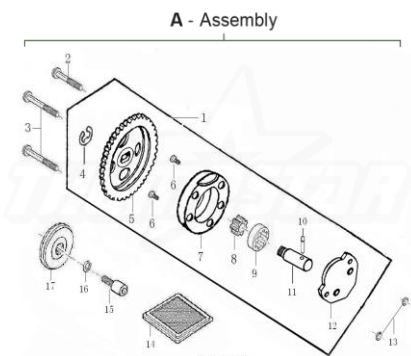
A			Complete Assembly	
1	P061433	22000-G031-0000	CLUTCH ASSY	1
2	P061434	B008180005001220B	SCREW M5x12	4
3	P061435	B0009300050000000	WASHER φ5	4
4	P061436	B0009600050000K00	WASHER φ5-140HV	4
5	P061437	22151-G031-0000	OUTER CASE, CLUTCH	1
6	P061438	22142-G031-0000	SPRING, CLUTCH	4
7	P061439	22144-G031-0000	ABSORBING SPRING	4
8	P061440	22110-G031-0000	DRIVE PLATE COMP	1
9	P061441	22109-G031-0000	ALIGNING SLIDING BUSH	1
10	P061442	22102-G031-0000	HUB, CLUTCH SLEEVE	1
11	P061443	2213B-G031-0000	CLUTCH TOP PLATE	1
12	P061444	22143-G031-0000	CLUTCH CUT SPRING	4
13	P061445	22215-G031-0000	OUTER FRICTION DISK A	2
14	P061446	22214-G031-0000	DRIVE FRICTION DISK	1
15	P061447	2212B-G031-0000	CLUTCH BELOW PLATE	1
16	P061448	91403-D002-0000	ELASTIC CHECK RING	1



离合器总成
CLUTCH ASSY

POS.	PART NO	ERP CODE	ENGLISH NAME	QTY
17	P061449	22129-G031-0000	SHOCK ABSORBER PLATE	1
18	P061450	B0089401450000000	CIRCLIP 45	1
19	P061451	22135-D002-0000	SLEEVE	1
20	P061452	92102-00000006000	BEARING (6000)	1
21	P061453	B008190205001270B	SCREW M5x12	4
22	P061454	22121-G031-0000	END COVER,CLUTCH	1
23	P061455	91202-D002-0000	LOCK NUT, CLUTCH	1
24	P061456	22004-D002-0000	DISH WASHER, CLUTCH	1
25	P061457	22001-D002-0000	STOP WASHER, CLUTCH	1
26	P061458	90218-G031-0000	GASKET,END COVER	1
27	P061459	23226-D002-0000	CIRCLIP	1
28	P061460	2312B-G031-0000	DRIVEN GEAR COMP	1
29	P061461	23110-G031-0000	DRIVEN GEAR	1
30	P061462	23101-G031-0000	PRIMARY DRIVE GEAR	1
31	P061463	23102-G031-0000	AXLE SLEEVE	1

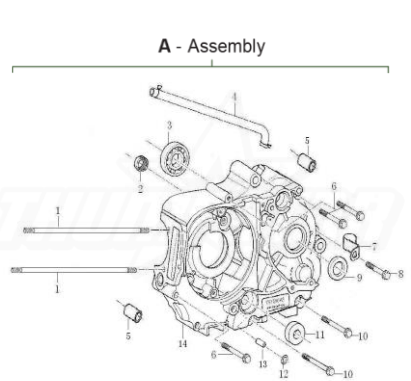
OIL PUMP



机油泵部件
OIL PUMP

POS.	PART NO	ERP CODE	ENGLISH NAME	QTY
A			Complete Assembly	
1	P061464	1432B-D002-0000	HUB DUMP CHAIN SPROCKET, OIL PUMP	1
2	P061465	14302-D002-0000	OIL PUMP SPROCKET SHAFT	1
3	P061466	14304-D002-0000	BUSH, SPROCKET	1
4	P061467	90210-D002-0000	GASKET,OIL PUMP	1
5	P061468	14107-G011-0000	SHAFT,OIL PUMP	1
6	P061469	14111-G011-0000	INNER ROTOR, OIL PUMP	1
7	P061470	14112-G011-0000	OUTER ROTOR, OIL PUMP	1
8	P061471	14110-G011-0000	OIL PUMP BODY	1
9	P061472	90221-D002-0000	GASKET,OIL PUMP COVER	1
10	P061473	14108-G011-0000	OIL PUMP COVER	1
11	P061474	B008180005001020B	SCREW M5x10	3
12	P061475	B008230006002220B	SCREW M6x22	1
13	P061476	B008230006001620B	SCREW M6x16	2
14	P061477	14100-G011-0000	OIL PUMP ASSY	1
15	P061478	1431B-D002-0000	STRAINER,OIL FILTER	1

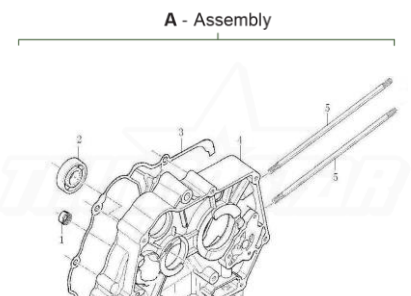
LEFT CRANKCASE



左曲轴箱
LEFT CRANKCASE

POS.	PART NO	ERP CODE	ENGLISH NAME	QTY
A			Complete Assembly	
1	P061479	91101-G011-0000	CYLINDER STUD BOLT A	2
2	P061480	92102-000NK142212	BEARING (NK14x22x12)	1
3	P061481	92102-00000006203	BEARING (6203)	1
4	P061482	12130-G011-0102	PIPE ASSY	1
5	P061483	91521-10001400000	PIN 10x14	2
6	P061484	B166740A06006070X	BOLT M6x60	3
7	P061485	11003-D002-00000X	CLIP, HIGH VOLTAGE WIRE	1
8	P061486	B166740A06004570X	BOLT M6x45	1
9	P061487	90303-D002-0000	OIL SEAL 17x29x5	1
10	P061488	B166740A06006570X	BOLT M6x65	2
11	P061489	90301-D002-0000	OIL-SEAL 11.6x24x10	1
12	P061490	90101-1008000180	O-RING 8x1.8	1
13	P061491	91521-08001200063	PIN 8x12x6.3	1
14	P061492	1212B-D083-000089	LEFT CRANKCASE BLOCK	1

RIGHT CRANKCASE

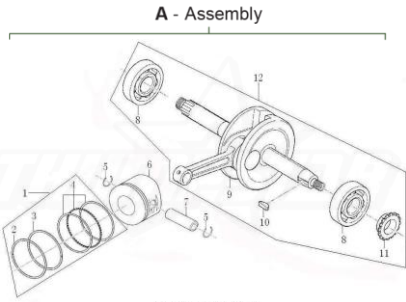


POS.	PART NO	ERP CODE	ENGLISH NAME	QTY
A			Complete Assembly	
1	P061493	92102-0NK13.52212	NEEDLE BEARING(NK13.5x22x12)	1
2	P061494	92102-00000006203	BEARING (6203)	1
3	P061495	90208-D002-0000	GASKET,CRANKCASE	1
4	P061496	1222B-D083-000089	RIGHT CRANKCASE BLOCK	1
5	P061497	91102-G011-0000	CYLINDER STUD BOLT B	2
6	P061498	93301-71242020000	WASHER 12.4x2x20	1
7	P061499	91103-1008-00000X	OIL DRAIN PLUG	1



右曲轴箱
RIGHT CRANKCASE

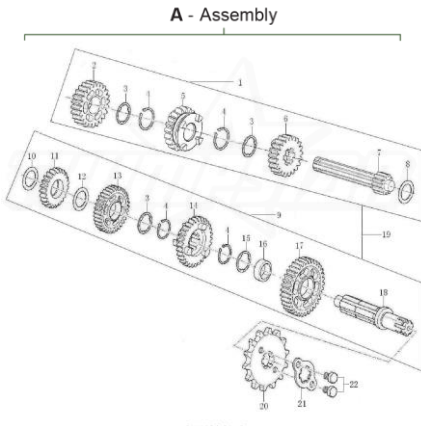
CRANKSHAFT CONNECTING-ROD ASS/PISTON



曲轴连杆部件/活塞
CRANKSHAFT CONNECTING-ROD ASSY/PISTON

POS.	PART NO	ERP CODE	ENGLISH NAME	QTY
A			Complete Assembly	
1	P061500	1310A-I015-0000	PISTON RING COMP	1
2	P061501	13103-I015-0000	PISTON RING 1	1
3	P061502	13104-I015-0000	PISTON RING 2	1
4	P061503	13120-I015-0000	OIL RING ASSY	1
5	P061504	91401-D002-0000	CHECK RING, PISTON PIN	2
6	P061505	13101-H020-0000	PISTON	1
7	P061506	13102-H020-0000	PIN PISTON	1
8	P061507	92102-0000006304	BEARING (6304)	2
9	P061508	13220-G001-0000	CONNECTING ROD COMP 3	1
10	P061509	91601-D002-0000	SEMICIRCULAR KEY	1
11	P061510	13222-D002-0000	HUB DUMP CHAIN SPROCKET	1
12	P061511	1320B-G001-0000	CRANKSHAFT CONNECTING-ROD ASSY	1

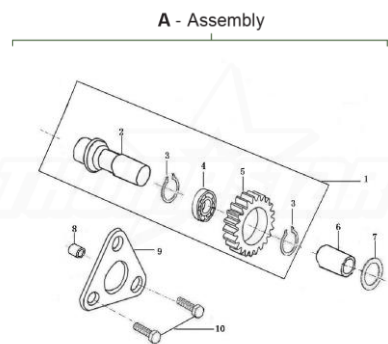
TRANSMISSION MAIN, COUNTER SHAFT



主副轴组合
TRANSMISSION MAIN, COUNTER SHAFT

POS.	PART NO	ERP CODE	ENGLISH NAME	QTY
A			Complete Assembly	
1	P061512	23220-D002-0000	MAIN SHAFT, TRANSMISSION	1
2	P061513	23222-D002-0004	GEAR M-4	1
3	P061514	23223-D002-0000	WASHER	3
4	P061515	23226-D002-0000	CIRCLIP	4
5	P061516	23222-D002-0003	GEAR M-3	1
6	P061517	23222-D002-0002	GEAR M-2	1
7	P061518	23221-D002-0000	TRANSMISSION MAIN SHAFT	1
8	P061519	93301-E1420526000	WASHER 14.2x0.5x26	1
9	P061520	23240-D002-0000	COUNTERSHAFT TRANSMISSION	1
10	P061521	93301-51370526000	WASHER 13.7x0.5x26	1
11	P061522	23242-D002-0004	GEAR C-4	1
12	P061523	93301-51721026000	WASHER 17.2x1.0x26	1
13	P061524	23242-D002-0003	GEAR C-3	1
14	P061525	23242-D002-0002	GEAR C-2	1
15	P061526	23223-D002-0002	WASHER	1
16	P061527	23247-D002-0000	COLLAR	1
17	P061528	23242-D002-0001	GEAR C-1	1
18	P061529	23241-D002-0000	TRANSMISSION COUNTER SHAFT	1
19	P061530	23200-D002-0000	TRANSMISSION MAIN, COUNTER SHAFT	1
20	P061531	23401-G011-0000	DRIVE SPROCKET	1
21	P061532	23402-D002-0000	FIXING PLATE,DRIVE SPROCKET	1
22	P061533	B05783006001070B	BOLT M6x10	2

KICK START SHAFT ASSEMBLY

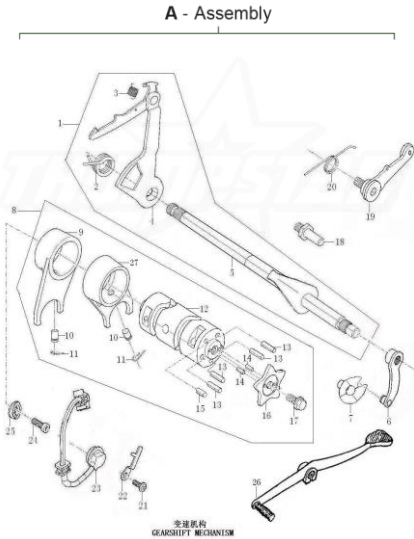


倒档推轴机构
TDLER SETUP

POS.	PART NO	ERP CODE	ENGLISH NAME	QTY
A			Complete Assembly	
1	P061534	21100-D002-0001	KICK STARTING SHAFT ASSEMBLY	1
2	P061535	91402-D002-0000	CIRCLI φ15.5x1.2xφ19	1
3	P061536	21104-D002-0000	SEAT, SPRING, KICK STARTING SHAFT	1
4	P061537	21106-D002-0000	RETURN SPRING, KICK STARTING SHAFT	1
5	P061538	93301-61721024000	WASHER 17.2x1.0x24	1
6	P061539	91402-D002-0100	CIRCLI φ18.5x1.2xφ22.1	2
7	P061540	21122-D002-0000	SPRING SUPPORT	1
8	P061541	21119-D002-0000	SPRING, KICK STARTING RATCHET WHEEL	1
9	P061542	21118-D002-0000	STARTING RATCHET	1
10	P061543	93301-62021027000	WASHER 20.2x1.0x27	1
11	P061544	21117-D002-0000	GEAR, KICK STARTER	1
12	P061545	21107-D002-0001	PIVOT, KICK STARTING SHAFT	1
13	P061546	B05783006002070B	BOLT M6x20	2
14	P061547	21108-D002-0000	SPACE, RATCHET WHEEL	1
15	P061548	21200-F004-0002	START-UP BAR COMP	1

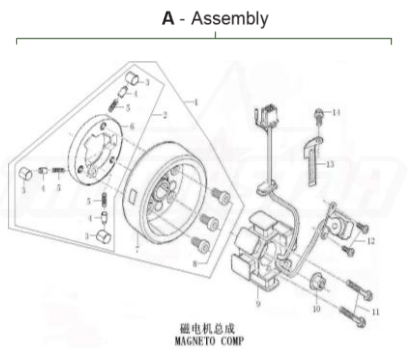
附件
附件
附件
附件
附件
附件
附件
附件
附件
附件
附件

GEARSHIFT MECHANISM



POS.	PART NO	ERP CODE	ENGLISH NAME	QTY
A			Complete Assembly	
1	P061549	24300-G030-0000	GEARSHIFT LEVER COMP	1
2	P061550	24302-G031-0000	RETURN SPRING	1
3	P061551	24318-D002-0000	GEARSHIFT LEVER TENSION SPRING	1
4	P061552	2432A-G031-0000	LIMIT SCREW	1
5	P061553	24301-G030-0000	GEARSHIFT SHAFT COMP	1
6	P061554	2242A-G031-0000	CONTROLLING ARM ASSEMBLY, CLUTCH	1
7	P061555	2245A-G031-0000	CAM PLATE ASSEMBLY, CLUTCH	1
8	P061556	24200-D002-0100	GEARSHIFT DRUM COMP	1
9	P061557	24101-D002-0000	GEARSHIFT FORK	2
10	P061558	24102-D002-0000	GUIDE PIN	2
11	P061559	24103-D002-0000	CLIP, SPRING	2
12	P061560	24213-D002-0000	GEARSHIFT DRUM	1
13	P061561	91522-04001300000	PIN 4x13	5
14	P061562	24212-D002-0000	SHIFT DRUM LOCATING PLATE GROUP	1
15	P061563	B008200006002020B	SCREW M6x20	1
16	P061564	91117-D002-0000	BOLT, RETURN SPRING FIXING 8x11	1
17	P061565	91115-D002-0000	BOLT FIXING PLATE	1
18	P061566	2434A-D002-0000	LOCATING PLATE ASSY	1
19	P061567	24304-D002-0000	SPRING, LOCATING PLATE	1
20	P061568	B008230006001220B	SCREW M6x12	1
21	P061569	88002-G011-0001	GEARSHIFT SWITCH PRESSING PLATE	1
22	P061570	8803B-G011-010034	GEARSHIFT SWITCH LAMP	1
23	P061571	91149-G011-00000C	SCREW	1
24	P061572	88004-G011-0000	CONTACT, GEARINDICATION	1
25	P061573	24400-D083-0051	GEARSHIFT SHAFT	1

MAGNETO COMP



POS.	PART NO	ERP CODE	ENGLISH NAME	QTY
A			Complete Assembly	
1	P061574	82130-G011-0211	ROTOR ASSY,MAGNETO	1
2	P061575	21300-G011-0002	ASSEMBLY, OVERRUNNING CLUTCH	1
3	P061576	21304-G011-0000	CLUTCH ROLLER	3
4	P061577	21305-G011-0000	CONE BILOCKAGE	3
5	P061578	21303-G011-0000	SPRING	3
6	P061579	21301-G011-0100	STARTING CLUTCH BODY	1
7	P061580	82130-G011-0201	ROTOR ASSY,MAGNETO	1
8	P061581	B000700108001570C	SCREW M8x15	3
9	P061582	82120-G011-030534	STATOR ASSY,MAGNETO	1
10	P061583	91213-D002-00000X	NUT	1
11	P061584	B166740A06001870B	BOLT M6x18	2
12	P061585	B057830005001270B	BOLT M5x12	2
13	P061586	12305-D083-0000	FIXING PLATE, MAGNETO CABLE	1
14	P061587	B166740A06001670B	BOLT M6x16	1

ELECTRIC STARTING MECHANISM



POS.	PART NO	ERP CODE	ENGLISH NAME	QTY
A			Complete Assembly	
1	P061588	B166740A06003270X	BOLT M6x32	2
2	P061589	82200-D083-000151	STARTING MOTOR ASSY	1
3	P061590	90101-10330000200	O-RING 33x2	1
4	P061591	82201-G011-0000	SPROCKET	1
5	P061592	B0089401110000000	CIRCLIP 11	1
6	P061593	2144B-D083-0000	ASSEMBLY, GUIDE PLATE	1
7	P061594	2143B-D083-0000	ASSEMBLY, CHAIN PROTECT PLATE	1
8	P061595	2141B-IA29-0000	STARTING MOTOR DRIVE CHAIN	1
9	P061596	21407-G011-0000	PLATE, START CLUTCH	1
10	P061597	B057830006001270B	BOLT M6x12	1
11	P061598	21420-D083-0000	PLATE GEAR ASSY	1
12	P061599	2142A-D083-0000	PLATE GEAR ASSY	1
13	P061600	90309-G011-0000	OIL SEAL 19x30x5	1
14	P061601	B166740A06010570X	BOLT M6x105	1
15	P061602	93301-70621513000	WASHER 6.2x1.5x13	1
16	P061603	B166740A06003570X	BOLT M6x35	1
17	P061604	90308-G011-0000	OIL SEAL 30x42x4.5	1
18	P061605	B166740A06002570X	BOLT M6x25	1
19	P061606	12327-D083-00000X	SUPPORTING CLIP	1
20	P061607	21408-D083-000089	LOWER PAN, OIL INSULATING	1
21	P061608	90101-21068000200	O-RING 106.8x2	1
22	P061609	B166740A08003070B	BOLT M8x30	2
23	P061610	12318-D083-0000	FRONT BRACKET	1

ELECTRIC		POS.	PART NO	ERP CODE	ENGLISH NAME	QTY
<p>A - Assembly</p> <p>电零件 ELECTRIC</p>		A			Complete Assembly	
		1	P061611	81100-D002-000050	IGNITION COIL	1
		2	P061612	81200-G011-0000	C.D.I	1
		3	P061613	83100-G011-0000	RECTIFIER	1
		4	P061614	82290-I049-000016	RELAY	1
EXHAUST GAS RECIRCULATION SYSTEM						
<p>A - Assembly</p> <p>废气再循环系统 EXHAUST GAS RECIRCULATION SYSTEM</p>		A			Complete Assembly	
		1	P061615	16156-G011-0000	CONNECTING PIPE	1
		2	P061616	16157-I008-0000	HOOP	2
		3	P061617	16160-I008-0000	SEC.AIR BOX VALVE	1
		4	P061618	16156-I008-0000	CONNECTING PIPE	1
		5	P061619	16157-I008-0100	HOOP	1
		6	P061620	B166740A06001870X	BOLT M6x18	1
		7	P061621	B166740A06002570X	BOLT M6x25	1
		8	P061622	B166740A06001670X	BOLT M6x16	3
		9	P061623	18090-G011-0001	GAS PUMP	1
		10	P061624	18110-G011-0000	RUBBER PIPE	1
		11	P061625	18097-I008-0000	CLAMP	2
		12	P061626	18092-G011-0000	RUBBER PIPE	1
		13	P061627	18110-I008-0100	RUBBER PIPE	1
		14	P061628	18097-I008-0100	CLAMP	2
		15	P061629	18092-I008-0100	RUBBER PIPE	1
		16	P061630	1809B-G011-02000Y	IRON PIPE	1
		17	P061631	90268-DA80-0000	PAPER GASKET	1
		18	P061632	B061770106000090X	NUT 6	1
		19	P061633	90274-I008-0000	INSULATING GASKET	1
		20	P061634	18089-I008-00000C	GAS PUMP PLATE	1