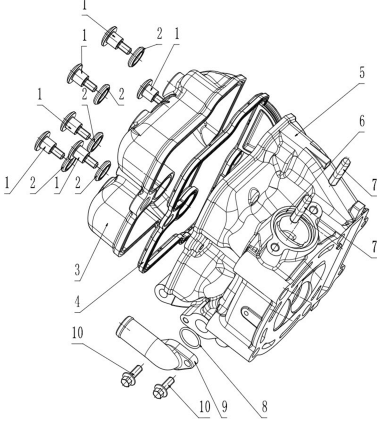
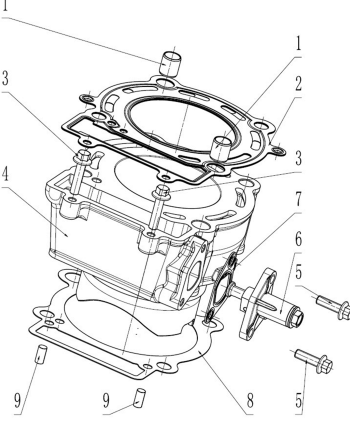
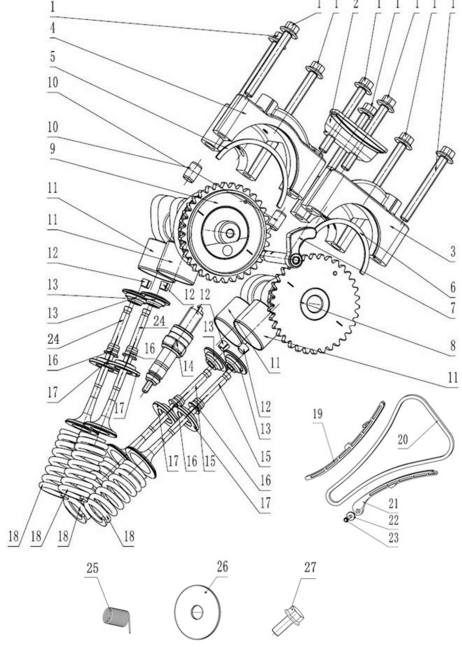
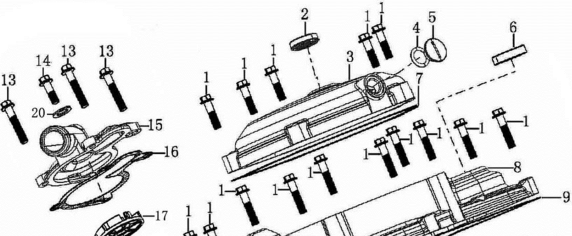


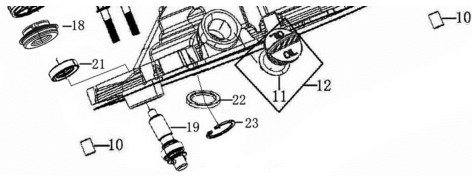
NC300S (1MMZZ0589)

CYLINDER HEAD ASSY	POS.	PART NO.	ERP CODE	ENGLISH NAME	QTY
	1	100100406-0002		Screw,M6	6
	2	100102894		Washer	6
	3	100066384-0001		Upper Cover Cylinder Head	1
	4	100066387		Seal Ring,Of Upper Cover Cylinder Head	1
	5	100066678-0001		Cylinder Head Assy	1
	6	100201303		Packing Silencer	1
	7	100100439-0002		Bolt,M8×40	2
	8	100057103		O_Ring,φ19×1.8	1
	9	100066986-0001		Output Water Nozzle Of Cylinder Head	1
	10	100055588-0006		Bolt, M6×20	2

CYLINDER ASSEMBLY	POS.	PART NO.	ERP CODE	ENGLISH NAME	QTY
	1	100108525		Dowel Pin,φ13×14	2
	2	100722072		Gasket Assembly Cylinder Head	1
	3	100011534-0002		Bolt, M6×25	2
	4	100715607-0001		Cylinder Block Assembly	1
	5	100055588-0006		Bolt, M6×20	2
	6	100105242-0002		Chain Tensioning Wheel	1
	7	100108520		Gasket Tensioner	1
	8	100099215		Gasket Cylinder Block	1
	9	100108526		Pin,φ6×12	2

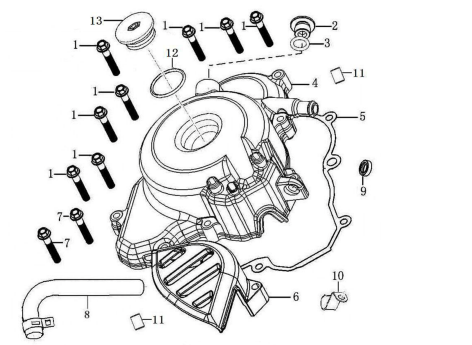
VALVE MECHANISM	POS.	PART NO.	ERP CODE	ENGLISH NAME	QTY
	1	100093736		Bolt	8
	2	100066824		Clamp	1
	3	100072697		Cover Admission Inlet Camshaft	1
	4	100072698		Cover Admission Exhaust Camshaft	1
	5	100072696		C-Type Annulus	1
	6	100072695		C-Type Annulus	1
	7	100066383		Centrifugal Mass Ass.	1
	8	100072525		Gamp Shaft Comp	1
	9	100072526		Gamp Shaft Comp	1
	10	100713888		Pin	4
	11	100089607		Valve Tappet	4
	12	100200707		Valve Locker	8
	13	100145409		Outer Valve SpRing,Retainer	4
	14	100141088		Spark Plug	1
	15	100066380		Inlet Valve	2
	16	100200729		Seal Valve Stem	4
	17	100145410		Outer Valve SpRing,Retainer	4
	18	100145408		Valve Spring	4
	19	100066391		Sliding Block	1
	20	100072996		Sprocket Chain	1
	21	100085376		Tension Plate Assy	1
	22	100200464		Bush	1
	23	100031953-0002		Bolt, M5×25	1
	24	100066388		Exhaust Valve	2
	25	100105010		Decompression SpRing,Of Camshaft	1
	26	100149788		Washer,φ6.5×2×φ25	1
	27	100055589-0006		Bolt, M6×16	1

RIGHT CRANKCASE COVER	POS.	PART NO.	ERP CODE	ENGLISH NAME	QTY
	1	100011536-0002		Bolt, M6×30	15
	2	100101321		Oil Lelve Sight Window	1
	3	100101318-0003		Decorate Cover R.Crankcase Cover	1
	4	100010074		O-Ring,φ13.2×2.65	1
	5	100103059-0003		Cap Small View Hole	1
	6	100104744		Oil Seal 18×30×7	1
	7	100104615		Gasket Decolatte Cover	1
	8	100050061-0007		Cover Comp Right Crankcase	1
	9	100208666		Gasket R.Crankcase Cover	1
	10	100102726		Dowel Pin,φ9×13	2
	11	100107693		O-Ring,φ18×3.55	1
	12	100071971		Oil Plug Assy	1
	13	100011537-0002		Bolt, M6×35	3
	14	100055588-0006		Bolt, M6×20	1
	15	100105519-0002		Water Pump Cover	1



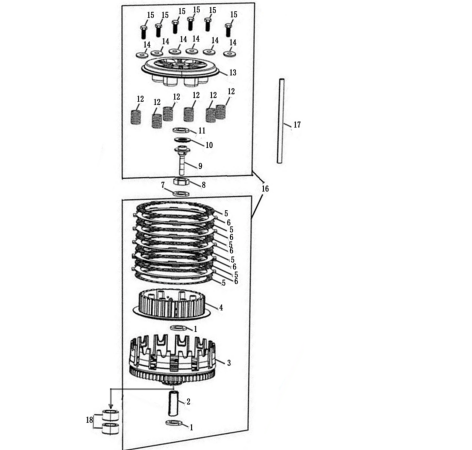
POS.	PART NO.	ERP CODE	ENGLISH NAME	QTY
16	100104609		Gasket	1
17	100105527		Ane Wheel Water Pump	1
18	100105543		Water Pump Seal	1
19	100105548		Shaft Water Pump Ass.	1
20	100106566		Washer,φ6.5×1.5×φ12	1
21	100104809		Oil Seal 12×24×6	1
22	100104688		Oil Seal 14×24×7	1
23	100011077		Retaining Ring, 24	1

### LEFT CRANKCASE COVER



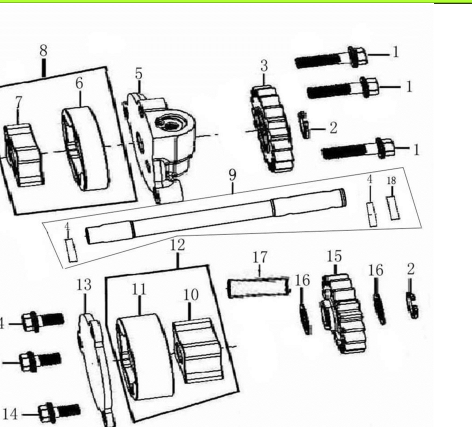
POS.	PART NO.	ERP CODE	ENGLISH NAME	QTY
1	100011537-0002		Bolt, M6×35	9
2	100105195		Bolt	1
3	100107654		O-Ring,φ11.8×2.6	1
4	100061981-0005		NC250 left cover	1
5	100064033		Gasket Cylinder Head Upper Cover	1
6	100103122		Back Part L.Crankcase Cover	1
7	100011536-0002		Bolt, M6×30	2
8	100102977		Pipe Assy	1
9	100104670		Oil Seal 10×18×6	1
10	100206196		Fixing Plate Magneto Cable	1
11	100102726		Dowel Pin,φ9×13	2
12	100107713		O-Ring,φ22.5×3.55	1
13	100103063-0002		Cap Big View Hole	1

### CLUTCH ASSY



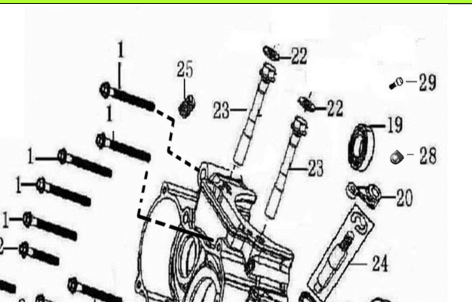
POS.	PART NO.	ERP CODE	ENGLISH NAME	QTY
1	100106474		Washer,φ20.2×1.8×φ34	2
2	100103355		Sleeve Clutch	1
3	100063902		Out Case Assembly Clutch	1
4	100202928		Center Sleeve Clutch	1
5	100203053		Drive Friction Disk	6
6	100203066		Outer Friction Disk A	5
7	100059394		Stop Washer	1
8	100059391		Lock Nut,Clutch	1
9	100203075		Rod Clutch Push	1
10	100101204		BeaRing,(Axk1528)	1
11	100106415		Washer,φ15×1×φ28	1
12	100103395		SpRing,Clutch	6
13	100103378		Pressure Plate Clutch	1
14	100202986		Clutch Disengage SpRing,Seat	6
15	100033034-0001		Bolt, M5×25	6
16	100154568		Clutch Assy	1
17	100103437		Pushing Rod Clutch	1
18	100101018		Needle BeRing,(K25×29×13)	2

### OIL PUMP

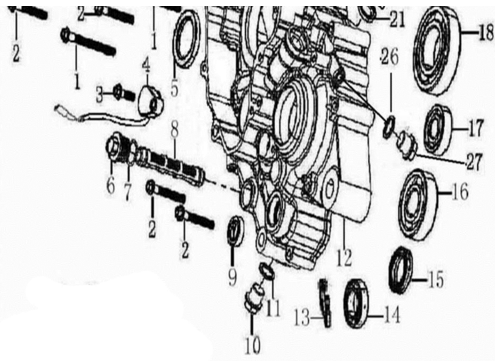


POS.	PART NO.	ERP CODE	ENGLISH NAME	QTY
1	100011521-0001		Bolt, M5×18	3
2	100011094		Retaining Ring, 10	2
3	100714158		Oil pump gear	1
4	100100903		Pin,φ4×15.8	2
5	100144709		Oil Pump Cover	1
6	100100207		Outer Rotor Oil Pump	1
7	100100196		Inner Rotor Oil Pump	1
8	100100215		Oil Pump Rotor	1
9	100100157		Shaft Oil Pump	1
10	100100197		Inner Rotor Oil Pump	1
11	100100208		Outer Rotor Oil Pump	1
12	100100216		Oil Pump Rotor	1
13	100100167		Oil Pump Cover	1
14	100011518-0001		Bolt, M5×12	3
15	100714157		Oil pump bridge gear	1
16	100106390		Washer,φ10.2×0.5×φ15	2
17	100100218		Oil Pump Gear Shaft	1
18	100100889		Pin,φ3×16	1

### LEFT CRANKCASE

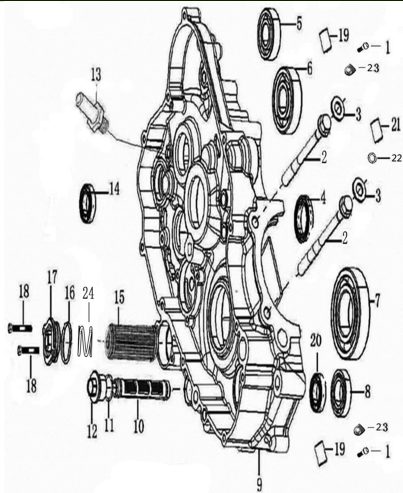


POS.	PART NO.	ERP CODE	ENGLISH NAME	QTY
1	100071434-0001		Bolt, M6×65	8
2	100071435-0001		Bolt, M6×45	5
3	100010979-0003		Screw, M6×20	1
4	100104494-0001		Gearshift Switch Comp	1
5	100104719		Oil Seal 32×47×6	1
6	100104918-0001		Cover Oil Filter Screen	1
7	100107684		O-Ring,φ17.5×1.8	1
8	100060838		Strainer Oil Filter	1
9	100104830		Oil Seal 15×25×5	1
10	100050705-0002		Drain Bolt	1
11	100106556		Washer,φ16.5×2×φ23	1
12	100062022-0002		Assm.Left Crankcase	1
13	100011078		Retaining Ring, 28	1
14	100010771		Bearing, 61902	1
15	100100927		BeaRing,(61805)	1



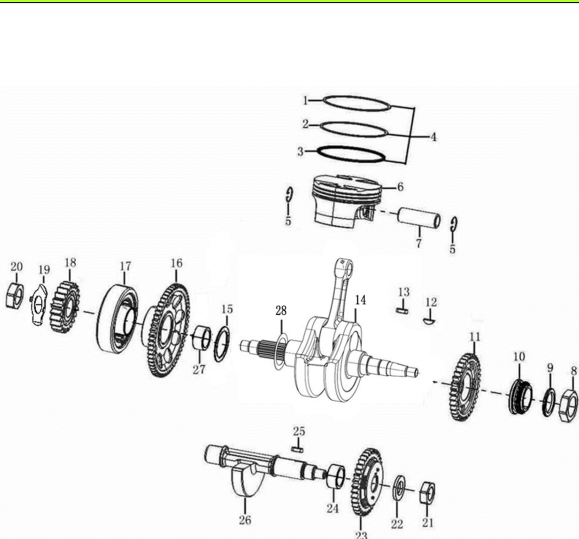
16	100101107		BeaRing,(63/22Jr2C3)	1
17	100101097		BeaRing,(6203Jr2C3)	1
18	100153384		Bearings	1
19	100068781		BeaRing,(Csb204_Jr2C3)	1
20	100106275-0002		Rocker Arm Release Lever Clutch	1
21	100104747		Oil Seal 14×22×5	1
22	100106393		Washer,φ10.5×2×φ20	2
23	100100341		Bolt	2
24	100106277-0002		Clutch Separating Rod	1
25	100100726		Oil Nozzle	1
26	100106575		Washer,φ8.5×1.2×φ15	1
27	100100432-0007		Bolt,M8×10	1
28	100068013		Baffle	1
29	100010835-0001		Bolt, M6×10	1

**RIGHT CRANKCASE**



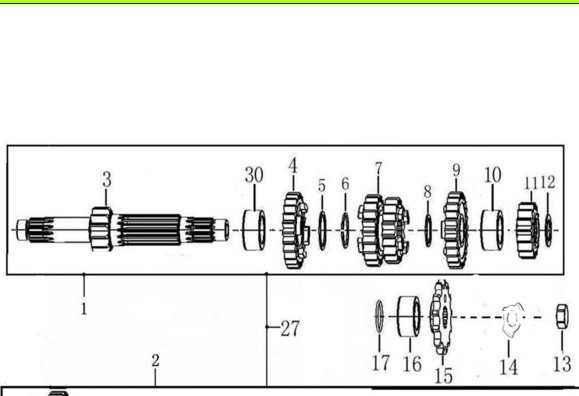
POS.	PART NO.	ERP CODE	ENGLISH NAME	QTY
1	100010835-0001		Bolt, M6×10	2
2	100100341		Bolt	2
3	100106393		Washer,φ10.5×2×φ20	2
4	100100927		BeaRing,(61805)	1
5	100101097		BeaRing,(6203Jr2C3)	1
6	100100999		BeaRing,(6304)	1
7	100153384		Bearings	1
8	100068781		BeaRing,(Csb204_Jr2C3)	1
9	100062021-0002		Assm.Right Crankcase	1
10	100060838		Strainer Oil Filter	1
11	100107684		O-Ring,φ17.5×1.8	1
12	100104918-0001		Cover Oil Filter Screen	1
13	100100398		Bolt Return Springn Fixing	1
14	100010771		Bearing, 61902	1
15	100104863		Oil Filter	1
16	100107754		O-Ring,φ30×2.6	1
17	100063279-0003		Cap Oil Filter	1
18	100055589-0006		Bolt, M6×16	2
19	100108525		Dowel Pin,φ13×14	2
20	100104698		Oil Seal 20×35×5	1
21	100100867		Dowel Pin,φ8×12×φ6.3	1
22	100107800		O-Ring,φ6.5×1.9	1
23	100068013		Baffle	2
24	100100017		SpRing,Oil Fine Filter	1

**CRANKSHAFT CONNECTING-ROD ASSY/PISTON**

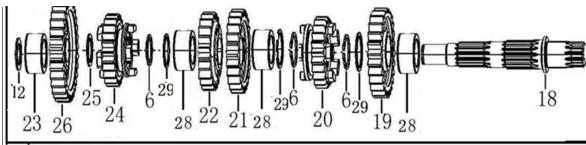


POS.	PART NO.	ERP CODE	ENGLISH NAME	QTY
1	100109078		Piston Ring,1st Compression	1
2	100109079		Piston Ring,2	1
3	100109080		Piston Ring,Oil Control	1
4	100109077		Piston Ring	1
5	100100590		Check Ring Piston Pin	2
6	100125989		Piston	1
7	100126435		Pin,Piston	1
8	100086103		nut	1
9	100106593		Washer,φ20×2.5×φ25	1
10	100072997		Hub Dump Chain Sprocket	1
11	100083793		Driving Gear	1
12	100100650		Semicircular Key	1
13	100100661		Tabulate Key	1
14	100144834		Crank connecting rod member	1
15	100106483		Washer,φ23×1×φ40	1
16	100083473		Plate Gear Assy	1
17	100083474		Assembly Overrunning Clutch	1
18	100103506		Primary Drive Gear	1
19	100059394		Stop Washer	1
20	100059392		Nut M18	1
21	100059391		Lock Nut,Clutch	1
22	100103345		Dish Washer,Clutch	1
23	100095653		Driven Gear Ass	1
24	100064036		Crankshaft Tube	1
25	100100670		Tabulate Key	1
26	100064034		Balance Shaft	1
27	100101022		Needle BeaRing,(K29×33×20)	1
28	100162930		Washer	1

**TRANSMISSION MAIN,COUNTER SHAFT**

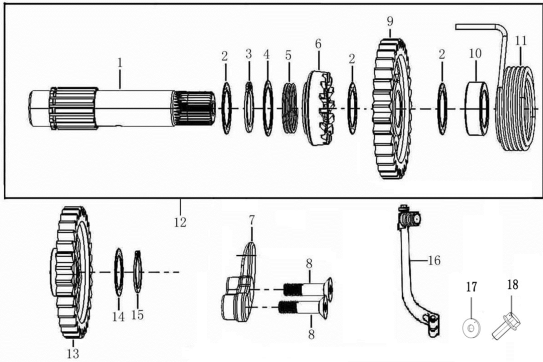


POS.	PART NO.	ERP CODE	ENGLISH NAME	QTY
1	100134172		Main Shaft Transmission	1
2	100134173		Coutershaft Transmission	1
3	100051560		Transmission Main Shaft	1
4	100134217		Gear M-5	1
5	100134218		Washer,25.2×1×33	1
6	100103659		Circlip	4
7	100134174		Gear M-3, 4	1
8	100106471		Washer,φ20.2×1×φ28	1
9	100103639		Gear M-6	1
10	100101013		Needle BeaRing,(K20×24×10)	1
11	100103640		Gear M-2	1
12	100106444		Washer,φ17.1×1×φ26	2
13	100058085		Nut	1
14	100058086		Stop Washer	1
15	100103838		Drive Sprocket	1
16	100103516		Bush	1
17	100107711		O-Ring,φ21×2	1
18	100058084		Transmission Counter Shaft	1
19	100134166		Gear C-2	1
20	100134170		Gear C-6	1



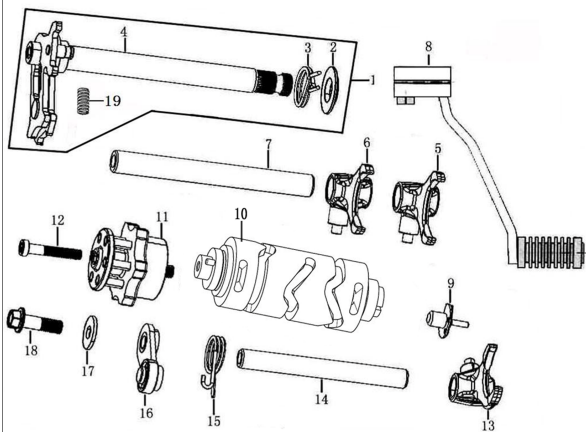
21	100134167		Gear C-3	1
22	100134168		Gear C-4	1
23	100105804		Metal Bush	1
24	100134169		Gear C-5	1
25	100106459		Washer,φ19×1×φ26	1
26	100134165		Gear C-1	1
27	100134171		Transmission Main,Counter Shaft	1
28	100101135		Needle BeaRing,(Ks22×26×10Tn)	3
29	100103652		Washer	3
30	100099388		Needle BeaRing,(K25×29×10)	1

**KICK STARTING SHAFT ASSEMBLY**



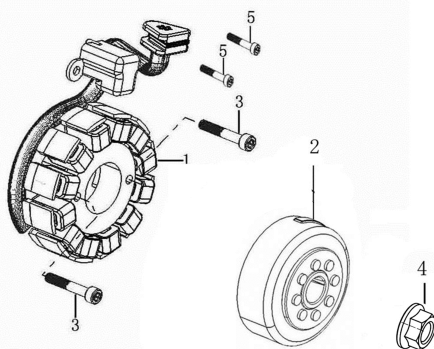
POS.	PART NO.	ERP CODE	ENGLISH NAME	QTY
1	100105757		Pivot Kick Starting Shaft	1
2	100106458		Washer,φ18.5×0.5×φ26	3
3	100011103		Retaining Ring, 21	1
4	100106480		Washer,φ21.7×0.5×φ29.5	1
5	100105789		SpRing,Kick Starting Ratchet Wheel	1
6	100105785		Starting Ratchet	1
7	100105792		Guide Plate	1
8	100031831-0002		Screw, M6×25	2
9	100105779		Gear Kick Starter	1
10	100105741		Seat SpRing,Kick Starting Shaft	1
11	100105749		Return SpRing,Kick Starting Shaft	1
12	100201883		Kick Starting Shaft Assembly	1
13	100103784		Gear	1
14	100106516		Washer,φ17.1×0.5×φ26	1
15	100011099		Retaining Ring, 17	1
16	100030463		Start-Up Bar Comp	1
17	100106607		Washer,φ8.5×3×φ23	1
18	100011313-0004		Bolt, M8×20	1

**GEARSHIFT MECHANISM**



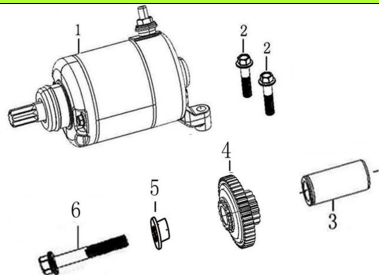
POS.	PART NO.	ERP CODE	ENGLISH NAME	QTY
1	100103964		Gearshift Lever Comp	1
2	100104001		Axle Sleeve	1
3	100103973		Return Spring	1
4	100203923		Gearshift Shaft Comp	1
5	100203727		Right Fork Countershaft	1
6	100203739		Left Fork Countershaft	1
7	100103927		Guide Pin,Selector Fork Center	1
8	100203972		Gearshift Shaft	1
9	100104487		Contact Cearindication	1
10	100103936		Gearshift Drum Comp	1
11	100103945		Stopping Plate	1
12	100010841-0001		Bolt, M6×35	1
13	100203754		Center Fork Mainshaft	1
14	100103921		Shaft Gearshift Fork	1
15	100103988		Spring, Locating Plate	1
16	100104010		Locating Plate Assy	1
17	100106379		Washer,φ6.5×1.5×φ18	1
18	100055888-0006		Bolt, M6×20	1
19	100103979		Spring,Gearshift Plate	1

**MAGNETO COMP**



POS.	PART NO.	ERP CODE	ENGLISH NAME	QTY
1	100104177-0002		Stator Assy Magneto	1
2	100083792		Roto Assy Magreto	1
3	100010834-0001		Bolt, M5×30	2
4	100076644		Nut	1
5	100010831-0001		Bolt, M5×10	2

**ELECTRIC STARTING MECHANISM**



POS.	PART NO.	ERP CODE	ENGLISH NAME	QTY
1	100093081-0003		Starting Motor Assy	1
2	100011534-0002		Bolt, M6×25	2
3	100162765		Shaft Reduction	1
4	100093079		Gear Reduction 1	1
5	100103261		Duplex Gear	1
6	100032819-0001		Bolt, M6×50	1
7	100010842-0004		Bolt, M6×40	1
8	100010886-0005		Washer, φ6	1
9	100011097		Retaining Ring, 15	1
10	100103234		Shaft Reduction	1
11	100103222		Gear Reduction	1
12	100108535		Washer,φ15.2×0.5×φ23	1

