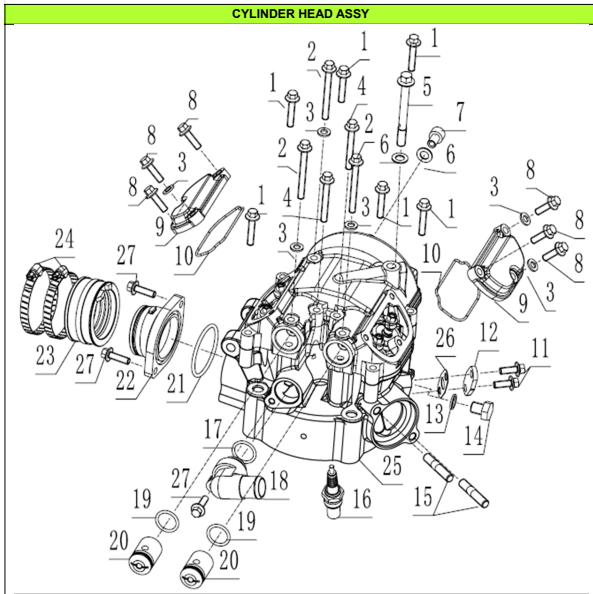
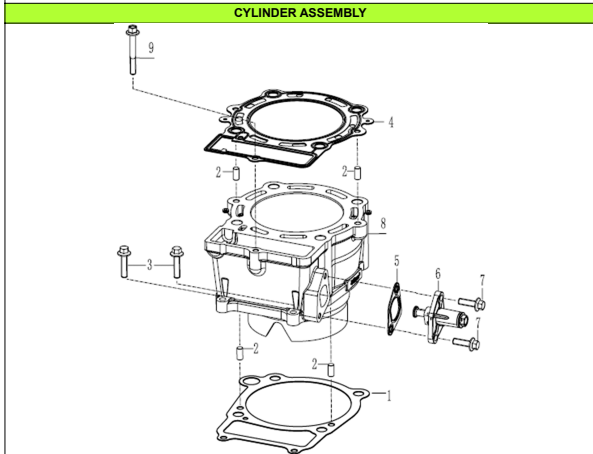


NC450



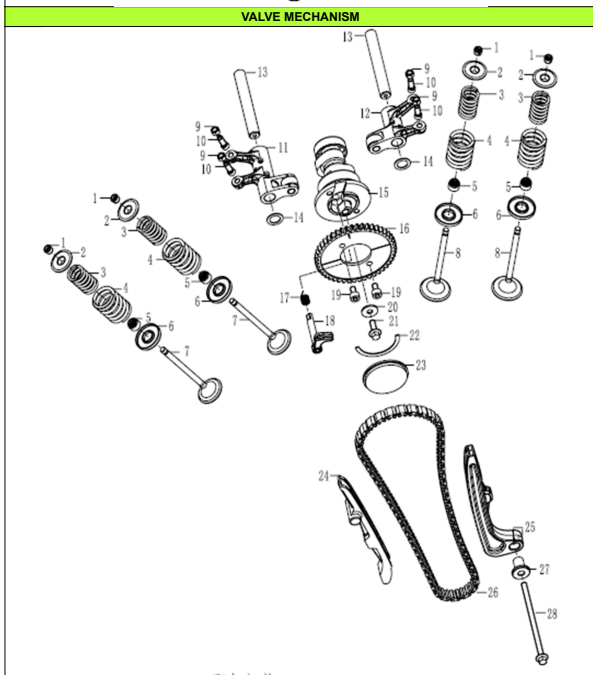
气缸头部件 CYLINDER HEAD ASSY

POS.	PART NO.	ERP CODE	ENGLISH NAME	QTY
1	100033114-0002		Bolt, M6×30	6
2	100033121-0006		Bolt, M6×55	3
3	100106566		Washer,φ6.5×1.5×φ12	6
4	100033120-0001		Bolt, M6×45	2
5	100087793-0001		Bolt,M8×70	1
6	100106575		Washer,φ8.5×1.2×φ15	2
7	100032843-0004		Bolt, M8×12	1
8	100033108-0002		Bolt, M6×20	6
9	100102873-0001		Cover Valve Chamber	2
10	100104529		Ring	2
11	100055589-0006		Bolt, M6×16	2
12	100105429		Intake Cover Board	1
13	100106546		Washer,φ10.5×1.5×φ14	1
14	100204649-0001		Oil Drain Plug	1
15	100100439-0002		Bolt,M8×40	2
16	100081435		Spark Plug	1
17	100107697		O-Ring,φ19×2.4	1
18	100105671		Water Pipe Fitting	1
19	100107691		O-Ring,φ18×2.5	2
20	100105202		Shaft Sleeve Of Shaft Rocker Arm	2
21	100107782		O-Ring,φ45×3	1
22	100105356		Inlet Pipe	1
23	100105372		Connecting Pipe	1
24	100105385		Clamp Inlet Pipe	2
25	100104467-0001		Cylinder Head Assy	1
26	100104640		Paper Gasket	1
27	100055588-0006		Bolt, M6×20	3



气缸头部件 CYLINDER HEAD ASSY

POS.	PART NO.	ERP CODE	ENGLISH NAME	QTY
1	100078732		Gasket Cylinder Block	1
2	100108526		Pin,φ6×12	4
3	100033110-0002		Bolt, M6×25	2
4	100104636		Gasket Assy Cylinder Head	1
5	100108520		Gasket Tensioner	1
6	100105242-0002		Chain Tensioning Wheel	1
7	100055588-0006		Bolt, M6×20	2
8	100104404-0001		Cylinder Block Assembly	1
9	100033120-0001		Bolt, M6×45	1



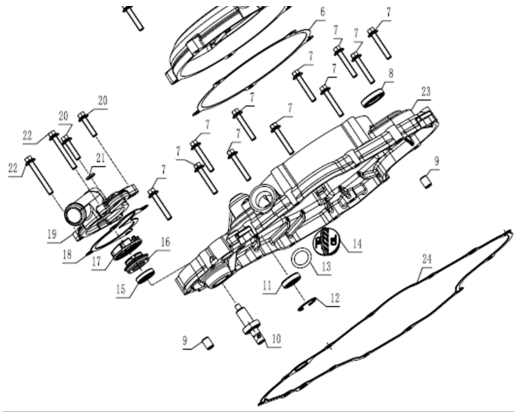
配气机构 VALVE MECHANISM

POS.	PART NO.	ERP CODE	ENGLISH NAME	QTY
1	100105323		Valve Locker	8
2	100083714		SpRing,Seat	4
3	100073909		Valve Inner Spring	4
4	100054065		Valve Outer Spring	4
5	100105339		Seal Valve Stem	4
6	100083713		Outer Valve SpRing,Retainer	4
7	100105285		Exhaust Valve	2
8	100105274		Intake Valve	2
9	100105155		Nut Valve Clearance	4
10	100105166		Screw,Valve Clearance	4
11	100105188		Rocker Arm Assembly Valve	1
12	100105187		Rocker Arm Assembly Valve	1
13	100105154		Rocker Shaft	2
14	100106396		Washer,φ12.1×1×φ18	2
15	100104969		Gamp Shaft,Comp	1
16	100069691		Timing Driven Sprocket	1
17	100061588		Decompression SpRing,Of Camshaft	1
18	100059478		Centrifugal Mass Ass	1
19	100010835-0001		Bolt, M6×10	2
20	100106379		Washer,φ6.5×1.5×φ18	2
21	100055589-0006		Bolt, M6×16	1
22	100059951		Stop Plate,Camshaft	1
23	100102895		Seal Colloid Of Cylinder Head	1
24	100105229		Guide Plate Chain	1
25	100105216		Tension Plate Assy	1
26	100070093		Sprocket Chain	1
27	100105211		Bush	1
28	100033090-0004		Bolt, M6×105	1



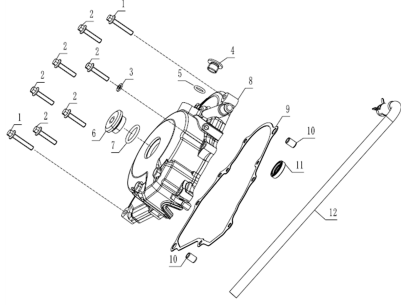
配气机构 VALVE MECHANISM

POS.	PART NO.	ERP CODE	ENGLISH NAME	QTY
1	100011536-0002		Bolt, M6×30	5
2	100103059-0003		Cap Small View Hole	1
3	100010118		O-Ring, φ13.2×2.65	1
4	100101318-0003		Decorate Cover R.Crankcase Cover	1
5	100101321		Oil Lelve Sight Window	1



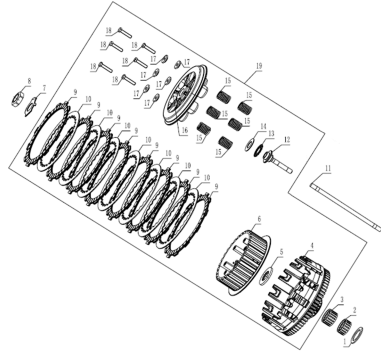
6	100104615		Gasket Decotate Cover	1
7	100011537-0002		Bolt, M6x35	11
8	100104744		Oil Seal 18x30x7	1
9	100102726		Dowel Pin,φ9x13	2
10	100069942		Shaft Water Pump Ass.	1
11	100104688		Oil Seal 14x24x7	1
12	100011077		Retaining Ring, 24	1
13	100107693		O-Ring,φ18x3.55	1
14	100071971		Oil Plug Assy	1
15	100104809		Oil Seal 12x24x6	1
16	100105543		Water Pump Seal	1
17	100066800		Ane Wheel Water Pump	1
18	100069962		Gasket	1
19	100067393-0002		Water Pump Cover	1
20	100011534-0002		Bolt, M6x25	2
21	100106566		Washer,φ6.5x1.5xφ12	1
22	100011539-0001		Bolt, M6x45	2
23	100101309-0003		Cover Comp Right Crankcase	1
24	100104577		Gasket R.Crankcase Cover	1

右曲轴箱盖 RIGHT CRANKCASE COVER
LEFT CRANKCASE COVER



POS.	PART NO.	ERP CODE	ENGLISH NAME	QTY
1	100011537-0002		Bolt, M6x35	2
2	100011536-0002		Bolt, M6x30	6
3	100106566		Washer,φ6.5x1.5xφ12	1
4	100105195		Bolt	1
5	100107654		O-Ring,φ11.8x2.6	1
6	100103063-0002		Cap Big View Hole	1
7	100107715		O-Ring,φ22.5x3.55	1
8	100102799-0003		Front Part,L.Crankcase Cover	1
9	100104579		Gasket Cylinder Head Upper Cover	1
10	100102726		Dowel Pin,φ9x13	2
11	100104662		Oil Seal 14x26x6	1
12	100102977		Pipe Assy	1
13	100103122		Back Part L.Crankcase Cover	1
14	100011536-0002		Bolt, M6x30	2

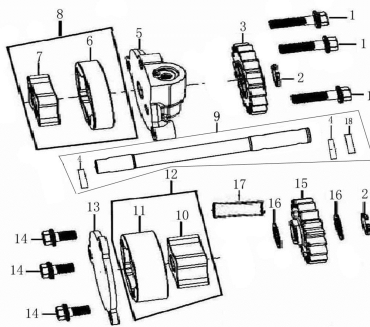
右曲轴箱盖 RIGHT CRANKCASE COVER
CLUTCH ASSY



POS.	PART NO.	ERP CODE	ENGLISH NAME	QTY
1	100106487		Washer,φ25x1.8xφ36	1
2	100101018		Needle BeaRing,(K25x29x13)	1
3	100101254		Needle BeaRing,(K25x29x17)	1
4	100107925		Out Case Assembly Clutch	1
5	100107885		Washer	1
6	100107895		Center Sleeve Clutch	1
7	100059394		Stop Washer	1
8	100059392		Nut M18	1
9	100731832		Drive Friction Disk	8
10	100734000		Outer Friction Disk A	7
11	100103437		Pushing Rod Clutch	1
12	100107977		Rod Clutch Push	6
13	100101204		BeaRing,(Axx1528)	1
14	100106415		Washer,φ15x1xφ28	1
15	100731834		SpRing,Clutch	6
16	100103378		Pressure Plate Clutch	1
17	100202986		Clutch Disengage SpRing,Seat	6
18	100033034-0001		Bolt, M5x25	6
19	100732118		Clutch Assy	1

离合器总成 CLUTCH ASSY

OIL PUMP



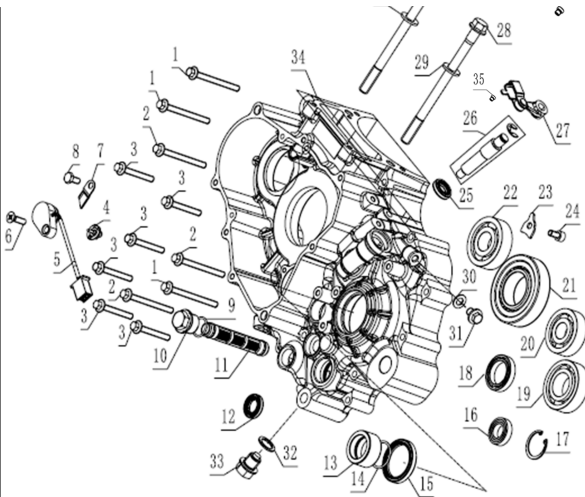
POS.	PART NO.	ERP CODE	ENGLISH NAME	QTY
1	100011521-0001		Bolt, M5x18	3
2	100011094		Retaining Ring, 10	2
3	100083712		Oil Pump Gear Ass.	1
4	100100903		Pin,φ4x15.8	2
5	100100168		Oil Pump Cover	1
6	100100207		Outer Rotor Oil Pump	1
7	100100196		Inner Rotor Oil Pump	1
8	100100215		Oil Pump Rotor	1
9	100100157		Shaft Oil Pump	1
10	100100197		Inner Rotor Oil Pump	1
11	100100208		Outer Rotor Oil Pump	1
12	100100216		Oil Pump Rotor	1
13	100100167		Oil Pump Cover	1
14	100011518-0001		Bolt, M5x12	3
15	100083711		Oil Pump Gear	1
16	100106390		Washer,φ10.2x0.5xφ15	2
17	100100218		Oil Pump Gear Shaft	1
18	100100889		Pin,φ3x16	1

机油泵部件
OIL PUMP

LEFT CRANKCASE

POS.	PART NO.	ERP CODE	ENGLISH NAME	QTY
1	100071619-0001		Bolt, M6x70	3
2	100071434-0001		Bolt, M6x65	3
3	100033120-0001		Bolt, M6x45	6
4	100104487		Contact Cearindication	1
5	100104494-0001		Gearshift Switch Comp	1

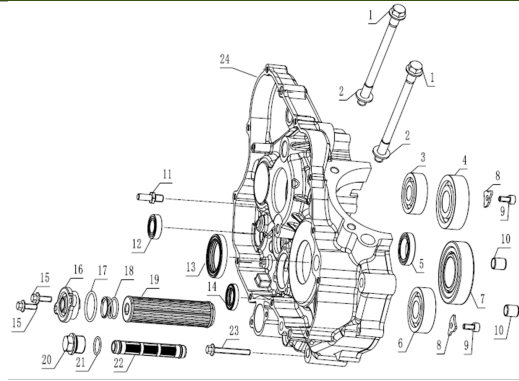




左曲轴箱 LEFT CRANKCASE

6	100010979-0003	Screw, M6×20	1
7	100102900	Position Plate	1
8	100011171-0002	Bolt, M6×12	1
9	100107684	O-Ring,φ17.5×1.8	1
10	100104918-0001	Cover Oil Filter Screen	1
11	100060838	Strainer Oil Filter	1
12	100104830	Oil Seal 15×25×5	1
13	100103518	Bush	1
14	100107725	O-Ring,φ25×2	1
15	100104814	Oil Seal 35×45×6	1
16	100010771	Bearing, 61902	1
17	100011078	Retaining Ring, 28	1
18	100100927	BeaRing,(61805)	1
19	100129052	BeaRing,(NJ205)	1
20	100300748	BeaRing,(6303RS, C3)	1
21	100070092	BeaRing,(NJ207)	1
22	100100999	BeaRing,(6304)	1
23	100068013	Baffle	1
24	100010836-0006	Bolt, M6×12	1
25	100104747	Oil Seal 14×22×5	1
26	100054535-0001	Clutch Separating Rod	1
27	100106275-0002	Rocker Arm Release Lever Clutch	1
28	100100282	Cylinder Stud Bolt A	2
29	100106393	Washer,φ10.5×2×φ20	2
30	100106575	Washer,φ8.5×1.2×φ15	1
31	100032843-0004	Bolt, M8×12	1
32	100106556	Washer,φ16.5×2×φ23	1
33	100050705-0002	Drain Bolt	1
34	100069936-0002	Left Crankcase Block	1
35	100100726	Oil Nozzle	1

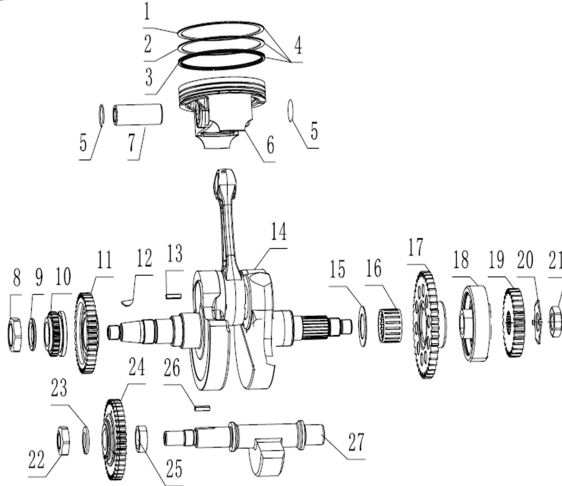
RIGHT CRANKCASE



右曲轴箱 RIGHT CRANKCASE

POS.	PART NO.	ERP CODE	ENGLISH NAME	QTY
1	100100282		Cylinder Stud Bolt A	2
2	100106393		Washer,φ10.5×2×φ20	2
3	100300748		BeaRing,(6303RS, C3)	1
4	100101252		BeaRing,(6305_P5)	1
5	100100927		BeaRing,(61805)	1
6	100100999		BeaRing,(6304)	1
7	100070092		BeaRing,(NJ207)	1
8	100068013		Baffle	2
9	100010836-0006		Bolt, M6×12	2
10	100108525		Dowel Pin,φ13×14	2
11	100100398		Bolt Return Spring Fixing	1
12	100010771		Bearing, 61902	1
13	100104889		Oil Seal 35×50×7	1
14	100062066		Oil Seal 20×30×5	1
15	100055589-0006		Bolt, M6×16	2
16	100063279-0003		Cap Oil Filter	1
17	100107754		O-Ring,φ30×2.6	1
18	100100017		SpRing, Oil Fine Filter	1
19	100104863		Oil Filter	1
20	100104918-0001		Cover Oil Filter Screen	1
21	100107684		O-Ring,φ17.5×1.8	1
22	100060838		Strainer Oil Filter	1
23	100033118-0007		Bolt, M6×40	1
24	100069938-0002		Right Crankcase Block	1

CRANKSHAFT CONNECTING-ROD ASSY/PISTON

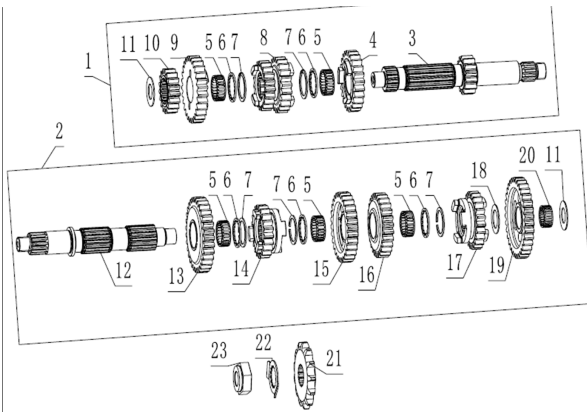


曲轴连杆部件/活塞
CRANKSHAFT CONNECTING-ROD ASSY/PISTON

POS.	PART NO.	ERP CODE	ENGLISH NAME	QTY
1	100079025	C450活塞环一(PV)	Piston Ring,1	1
2	100107488	NC450活塞环二	Piston Ring,2	1
3	100079024	50油环组合(油环)	Oil Ring,Assy	1
4	100069455	活塞环总成(一环油)	Piston Ring,Comp	1
5	100050301	NC450活塞销挡圈	Check Ring Piston Pin	2
6	100069235	部阳极氧化_槽部	Piston	1
7	100101545	NC450活塞销	Pin,Piston	1
8	100059393	平衡轴锁紧螺母M2	Nut M24	1
9	100106369	垫圈(φ24.2×2.5×φ32)	Washer,φ24.2×2.5×φ32	1
10	100070382	D正时主动链轮(2#)	Hub Dump Chain Sprocket	1
11	100120900	450平衡主动齿轮	Driving Gear	1
12	100100650	NC250半圆键	Semicircular Key	1
13	100100661	250曲轴平键(4×4)	Tabulate Key	1
14	100076935	部件(2#_立多襟器)	Crankshaft Connecting-Rod Assy	1
15	1000595893	垫圈(φ25×2×φ40)	Washer,φ25×2×φ40	1
16	100101022	承(K29×33×20_滚)	Needle BeaRing,(K29×33×20)	1
17	100086987	50启动大齿轮组合	Plate Gear Assy	1
18	100086989	450超越离合器部	Assembly Overrunning Clutch	1
19	100120901	NC450主动齿(2#)	Primary Drive Gear	1
20	100059394	50主动齿止推垫圈	Stop Washer	1
21	100059392	主动齿锁紧螺母M1	Nut M18	1
22	100059391	离合器锁紧螺母(N)	Lock Nut,Clutch	1
23	100103345	离合器碟形垫圈(1#)	Dish Washer,Clutch	1
24	100120899	D平衡从动齿组	Driven Gear Ass.	1
25	100103573	NC250曲轴轴套	Crankshaft Tube	1
26	100100661	250曲轴平键(4×4)	Tabulate Key	1
27	100087509	C450平衡轴组合(3	Balance Shaft	1

TRANSMISSION MAIN,COUNTER SHAFT

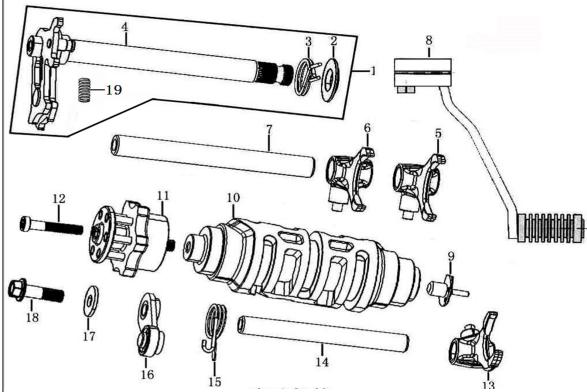
POS.	PART NO.	ERP CODE	ENGLISH NAME	QTY
1	100106697		Main Shaft Transmission	1
2	100106790		Coutershaft Transmission	1



主副轴组合 TRANSMISSION MAIN,COUNTER SHAFT

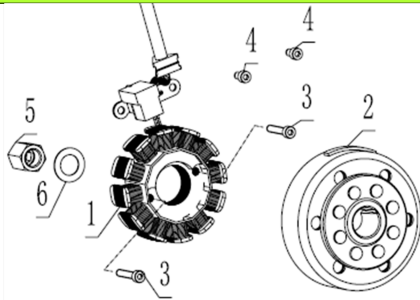
3	100106702		Transmission Main Shaft	1
4	100106753		Gear M-5	1
5	100078562		Needle BeaRing,(Ks24×28×10Tn_PA46)	5
6	100106764		Washer	5
7	100106772		Circlip	5
8	100106755		Gear M-3, 4	1
9	100106754		Gear M-6	1
10	100106752		Gear M-2	1
11	100106441		Washer,φ17×1×φ32	2
12	100106795		Transmission Counter Shaft	2
13	100106872		Gear C-2	1
14	100106876		Gear C-6	1
15	100106873		Gear C-3	1
16	100106874		Gear C-4	1
17	100106875		Gear C-5	1
18	100106467		Washer,φ20.1×1×φ30	1
19	100106871		Gear C-1	1
20	100101013		Needle BeaRing,(K20×24×10)	1
21	100103847		Drive Sprocket	1
22	100067277		Stop Washer	1
23	100058085		Nut	1
24	100103562		Transmission Main Counter Shaft	1

GEARSHIFT MECHANISM



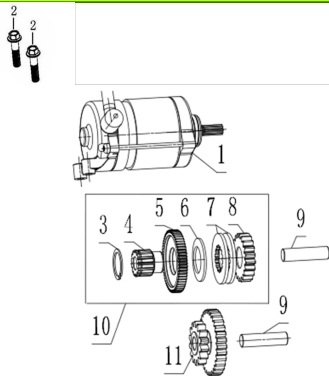
POS.	PART NO.	ERP CODE	ENGLISH NAME	QTY
1	100103964		Gearshift Lever Comp	1
2	100104001		Axle Sleeve	1
3	100103973		Return Spring	1
4	100203923		Gearshift Shaft Comp	1
5	100103901		Left Fork Countershaft	1
6	100103897		Right Fork Countershaft	1
7	100103929		Guide Pin,Selector Fork Center	1
8	100203972		Gearshift Shaft	1
9	100104487		Contact Cearindication	1
10	100103939		Gearshift Drum Comp	1
11	100103945		Stopping Plate	1
12	100011537-0002		Bolt, M6×35	1
13	100103907		Center Fork Mainshaft	1
14	100103921		Shaft Gearshift Fork	1
15	100103988		SpRing, Locating Plate	1
16	100104010		Locating Plate Assy	1
17	100106379		Washer,φ6.5×1.5×φ18	1
18	100055888-0006		Bolt, M6×20	1
19	100103979		SpRing,Gearshift Plate	1

MAGNETO COMP



POS.	PART NO.	ERP CODE	ENGLISH NAME	QTY
1	100104177-0002		Stator Assy Magneto	1
2	100104203		Rotor Assy, Magneto	1
3	100010834-0001		Bolt, M5×30	2
4	100010831-0001		Bolt, M5×10	2
5	100100548		Nut M14×1.5	1
6	100106421		Washer,φ15.2×1.5×φ25	1

ELECTRIC STARTING MECHANISM



POS.	PART NO.	ERP CODE	ENGLISH NAME	QTY
1	100083405-0002		Starting Motor Assy	1
2	100011534-0002		Bolt, M6×25	2
3	100103659		Circlip	1
4	100060121		Reduction Shaft Sleeve	1
5	100088950		Twin Gear Set	1
6	100102774		Dish Washer,φ25.5×2×φ41	1
7	100202717		From The Kinetic Friction Slices	2
8	100060851		Twin Gear	1
9	100062750		Shaft Reduction	2
10	100083794		Gear,Reduction,1	1
11	100060120		Gear,Reduction,2(2#)	1

KICK STARTING SHAFT ASSEMBLY



POS.	PART NO.	ERP CODE	ENGLISH NAME	QTY
1	100105757		Pivot Kick Starting Shaft	1
2	100106458		Washer,φ18.5×0.5×φ26	3

