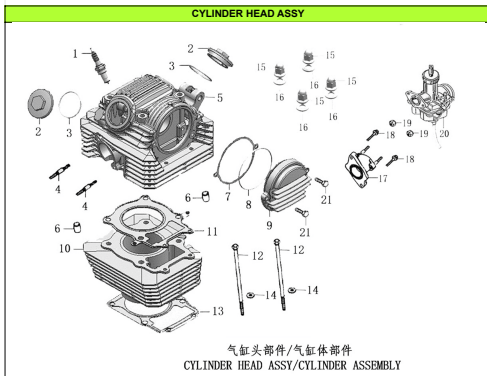
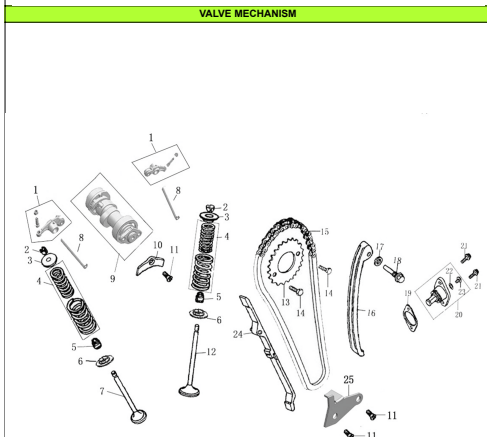


PR250



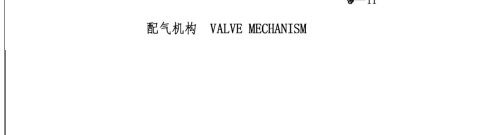
气缸头部件/气缸体部件
CYLINDER HEAD ASSY/CYLINDER ASSEMBLY

POS.	PART NO.	ERP CODE	ENGLISH NAME	QTY
1	100104142		Spark Plug	1
2	100102870-0006		Cover Valve Chamber	2
3	100107782		O-Ring,φ45×3	2
4	100100438-0002		Bolt,M8×38	2
5	100104457-0002		Cylinder Head Assy	1
6	100031687		Pin,φ10×20	2
7	100104541		Gasket L.Cylinder Head Cover	1
8	100102710		O-Ring,φ80×2.65	1
9	100102867-0002		Left Cover Cylinder Head	1
10	100104395-0002		Cylinder Block Assembly	1
11	100104630		Gasket Assy Cylinder Head	1
12	100204670-0004		Bolt,M6×113	2
13	100104562		Gasket Cylinder Block	1
14	100125679-0002		Washer,φ6.2×1×φ12	2
15	100100508-0007		Nut M8	4
16	100106576		Washer,φ8.5×2×φ18	4
17	100105352		Inlet Pipe	1
18	100055588-0006		Bolt, M6×20	2
19	100011421-0003		Nut, M6	2
20	100300218		Carburetor	1
21	100055588-0006		Bolt, M6×20	2



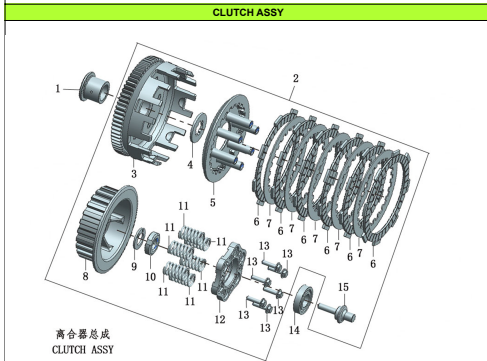
配气机构 VALVE MECHANISM

POS.	PART NO.	ERP CODE	ENGLISH NAME	QTY
1	100050892		Rocker Arm Assembly Valve	2
1	100051841		Valve Locker	4
3	100105311		SpRing,Seat	2
4	100132108		Inner SpRing,Assy	2
5	100105336		Seal Valve Stem	2
6	100053432		Outer Valve SpRing Retainer	2
7	100105283		Exhaust Valve	1
8	100105152		Rocker Shaft	2
9	100104967		Camp Shaft Comp	1
10	100102810		Position Plate Rocker Shaft	1
11	100011173-0003		Bolt, M6×16	3
12	100105271		Intake Valve	1
13	100105063		Timing Driven Sprocket	1
14	100011171-0002		Bolt, M6×12	2
15	100105129		Sprocket Chain	1
16	100081747		Tension Plate Assy	1
17	100106544		Washer,φ8×1.5×φ14	1
18	100100363-0007		Bolt	1
19	100104605		Gasket Tensioner	1
20	100108552-0011		Chain Tensioning Wheel	1
21	100010837-0002		Bolt, M6×16	2
22	100107848		O-RING 9×1.8	1
23	100108598-0001		BOLT M6×6	1
24	100105225		Guide Plate Chain	1
25	100103276		Assembly Chain Protect Plate	1



曲轴箱盖
CRANKCASE COVER

POS.	PART NO.	ERP CODE	ENGLISH NAME	QTY
1	100011538-0003		Bolt, M6×40	9
2	100055587-0006		Bolt, M6×28	3
3	100011540-0007		Bolt, M6×50	4
4	100011538-0003		Bolt, M6×40	3
5	100055588-0006		Bolt, M6×20	1
6	100031959-0007		Bolt, M6×70	1
7	100055587-0006		Bolt, M6×28	2
8	100011543-0001		Bolt, M6×65	1
9	100056056-0001		Clutch Manipulate Arm Combination	1
10	100100636-0001		Clutch Lever Pin	1
11	100103443		Clutch Controlling Arm Spring	1
12	100104754		Oil Seal 12×22×5	1
13	100056057-0001		Holder Clutch Cable	1
14	100104878		Oil Ruler Assy	1
15	100031573		O-Ring,φ18×3	1
16	100133669-0002		Cover Comp.Right Crankcase	1
17	100054996		Gasket R.Crankcase Cover	1
18	100100868		Dowel Pin,φ8×14×φ6.3	2
19	100053696		Baffle	1
20	100055591-0006		Bolt, M6×12	2
21	100054998		Gasket L.Crankcase Cover	1
22	100010557		Pin,φ10×14	2
23	100103059-0025		Cap Small View Hole	1
24	100010074		O-Ring,φ13.2×2.65	1
25	100052682-0003		Front Part L.Crankcase Cover	1
26	100107808		O-Ring,φ62×3	1
27	100052686-0003		Cover Reduction Gear	1
28	100107713		O-Ring,φ22.5×3.55	1
29	100103063-0005		Cap Big View Hole	1
30	100061195-0003		Back Part L.Crankcase Cover	1



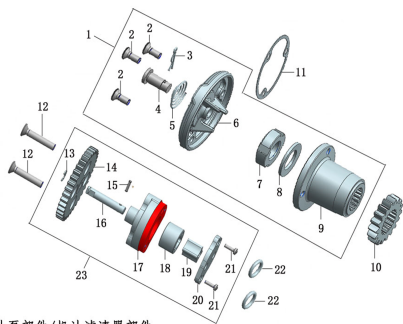
离合器总成
CLUTCH ASSY

POS.	PART NO.	ERP CODE	ENGLISH NAME	QTY
1	100081730		Sleeve Clutch	1
2	100081725		Clutch Assy	1
3	100081728		Out Case Assembly Clutch	1
4	100103341		Washer	1
5	100050125		Pressure Plate Clutch	1
6	100203044		Drive Friction Disk	6
7	100103422		Outer Friction Disk A	5
8	100202923		Center Sleeve Clutch	1
9	100103345		Dish Washer,Clutch	1
10	100100523		Nut	1
11	100202978		SpRing,Clutch	6
12	100103373		End Cover Clutch	1
13	100100429-0003		Bolt,M5×20	6
14	100010690		Bearing, 16003	1
15	100081727		Pushing Rod Clutch	1



OIL PUMP/OIL FILTER

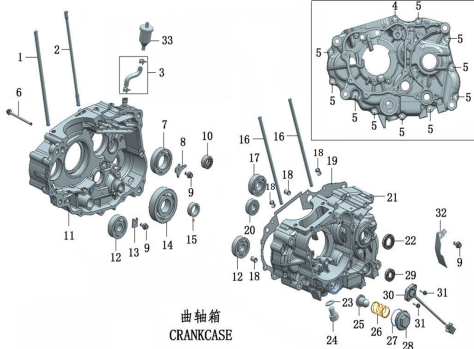
POS.	PART NO.	ERP CODE	ENGLISH NAME	QTY
1	100131435		Oil Filter Comp	1



机油泵部件/机油滤清器部件
OIL PUMP/OIL FILTER

2	10010978-0001		Screw, M5*12	3
3	100104850		Open Pin	1
4	100104843		Oil Pipe	1
5	100104844		SpRing, Oil Pipe	1
6	100126128		Oil Filter Cover	1
7	100100523		Nut	1
8	100103345		Dish Washer, Clutch	1
9	100104846		Rotor Ass. Of Oil Filter	1
10	100100092		Drive Gear Oil Pump	1
11	100104600		Gasket Oil Filter	1
12	100123472-0002		Screw, M6*32	2
13	100011110		Retaining Ring, 5	1
14	100081734		Oil Pump Gear Assy	1
15	100032878		Pin, $\phi 2.5 \times 10$	1
16	100081739		Oil Pump Shaft	1
17	100081736		Oil Pump Body	1
18	100081737		Outer Rotor Oil Pump	1
19	100081738		Inner Rotor Oil Pump	1
20	100057559		Oil Pump Cover	1
21	100031811-0003		Screw, M3*10	2
22	100107842		O-Ring, $\phi 9.4 \times 2.4$	2
23	100081733		Oil Pump Assy	1

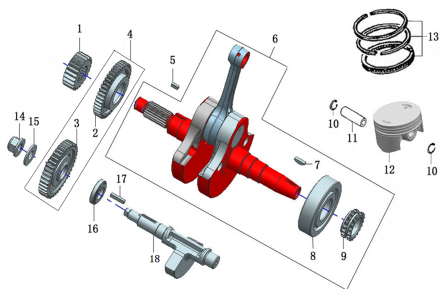
CRANKCASE



曲轴箱
CRANKCASE

POS.	PART NO.	ERP CODE	ENGLISH NAME	QTY
1	100100256		Cylinder Stud Bolt A	1
1	100204636		Cylinder Stud Bolt A	1
2	100206020		Pipe Assy	1
3	100033088-0005		Bolt, M6*85	1
4	100011540-0007		Bolt, M6*50	10
5	100011543-0001		Bolt, M6*65	1
6	100101185		BeaRing, (6006*2/20_C3)	1
7	100205816		Pressure Plate Bearing	1
8	100055591-0006		Bolt, M6*12	3
9	100059484		NEEDLE BUSH, (NK15*27*12)	1
10	100081756-0002		Right Crankcase Block	1
11	100054649		Bearing, (6303_C3)	2
12	100053701		Baffle	1
13	100066540		BeaRing, (TM63/28X1E2/P5)	1
14	100101062		Needle BeaRing, (Hk21*28*10)	1
15	100100311		Cylinder Stud Bolt B	2
16	100100951		BeaRing, (6204_C3)	1
17	100010557		Pin, $\phi 10 \times 14$	4
18	100082834		Gasket Inlet Pipe	1
19	100054647		Bearing, (6202Z_C3)	1
20	100081755-0002		Left Crankcase Block	1
21	100104700		Oil Seal 20*34*7	1
22	100106548		Washer, $\phi 12.1 \times 2 \times \phi 20$	1
23	100100331-0006		Oil Drain Plug	1
24	100104943		Strainer Oil Filter	1
25	100104866		SpRing, Oil Filter Strainer	1
26	100107766		O-Ring, $\phi 35 \times 3$	1
27	100102871-0002		Cover Valve Chamber	1
28	100104650		Oil Seal 14*28*7	1
29	100102708-0005		Gearshift Switch Comp	1
30	100100472		Screw	2
31	100140709		Position Plate	1
32	100206039		Oil Air Filter	1

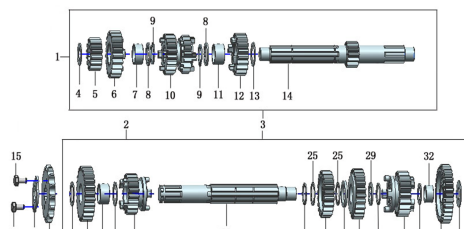
CRANKSHAFT CONNECTING-ROD ASSY/PISTON



曲轴连杆部件/活塞
CRANKSHAFT CONNECTING-ROD ASSY/PISTON

POS.	PART NO.	ERP CODE	ENGLISH NAME	QTY
1	100081723		Primary Drive Gear	1
2	100145594		Driving Gear	1
3	100081719		Driven Gear Assy	1
4	100141550		Drive Gear Set Balance Shaft	1
5	100100670		Tabulate Key	1
6	100081714		Crankshaft Connecting-Rod Assy	1
7	100100644		SEMICIRCULAR KEY	1
8	100066540		BeaRing, (TM63/28X1E2/P5)	1
9	100101986		Hub Dump Chain Sprocket	1
10	100100590		Check Ring Piston Pin	2
11	100101541		Pin, Piston	1
12	100055160		Piston	1
13	100077394		Piston Ring, Comp	1
14	100204699		Nut	1
15	100106399		Washer, $\phi 12.2 \times 2 \times \phi 27$	1
16	100081718		Balance Shaft Collar	1
17	100068412		Tabulate Key	1
18	100081716		Balance Shaft	1

TRANSMISSION MECHANISM

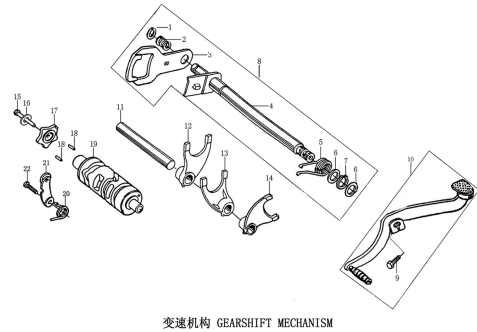


POS.	PART NO.	ERP CODE	ENGLISH NAME	QTY
1	100081816		Main Shaft Transmission	1
2	100102589		Coulershaft Transmission	1
3	100081744		Transmission Main Counter Shaft	1
4	100106510		Washer, $\phi 15.2 \times 1 \times \phi 25$	1
5	100102580		Gear M-2	1
6	100102582		Gear M-6	1
7	100102564		Gear Bush	1
8	100103647		Washer, 17.3(20)*1.6*26	2
9	100103658		Circlip	2
10	100102583		Gear M-3/4	1
11	100102563		Gear Bush	1
12	100102581		Gear M-5	1
13	100106470		Washer, $\phi 20.2 \times 1 \times \phi 27$	1
14	100081746		Transmission Main Shaft	1
15	100031911-0004		Bolt, M6*10	2
16	100103850		Fixing Plate Drive Sprocket	1
17	100103810		Drive Sprocket	1
18	100106511		Washer, $\phi 15.2 \times 1 \times \phi 30$	1
19	100102595		Gear M-2	1
20	100301853		Gear Bush	1
21	100106511		Washer, $\phi 15.2 \times 1 \times \phi 30$	1
22	100102599		Gear M-6	1
23	100102591		Transmission Counter Shaft	1

传动机构
TRANSMISSION MECHANISM

24	100106032		Check Ring	1
25	100106032		Washer	2
26	100102597		Gear M-4	1
27	100106034		Washer	1
28	100102596		Gear M-3	1
29	100106033		Washer	1
30	100102598		Gear M-5	1
31	100106435		Washer,φ16.5×1×φ24	1
32	100301852		Gear Bush	1
33	100102594		Gear M-1	1
34	100106460		Washer,φ20×1×φ27	1

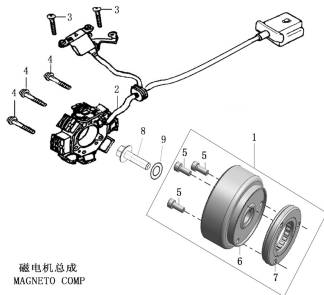
GEARSHIFT MECHANISM



变速机构 GEARSHIFT MECHANISM

POS.	PART NO.	ERP CODE	ENGLISH NAME	QTY
1	100011095		CIRCLIP 12	1
2	100103978		SpRing Gearshift Plate	1
3	100103999		GEARSHIFT PLATE	1
4	100120242		Gearshift Shaft	1
5	100103971		Return Spring	1
6	100106402		Washer,φ14×0.5×φ20	2
7	100011096		Retaining Ring_14	1
8	100131436		Gearshift Lever Comp	1
9	100011174-0006		BOLT M6×20	1
10	100204007		Gearshift Shaft	1
11	100103914		Shaft Gearshift Fork	1
12	100081742		Right Fork Countershaft	1
13	100081740		Center Fork Mainshaft	1
14	100081813		Left Fork Countershaft	1
15	100033035-0003		Bolt_ M5×22	1
16	100010886-0005		Washer, φ6	1
17	100082850		Stopping Plate	1
18	100032886		Pin_ φ4×10	2
19	100081732		Gearshift Drum	1
20	100203938		SpRing_Locating Plate	1
21	100203965		Locating Plate Assy	1
22	100011174-0004		Bolt_ M6×20	1

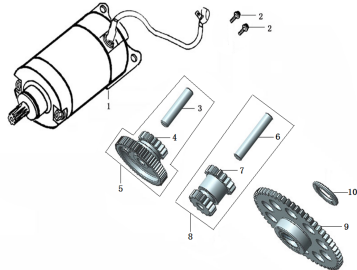
MAGNETO COMP



磁电机总成
MAGNETO COMP

POS.	PART NO.	ERP CODE	ENGLISH NAME	QTY
1	100056051		Rotor Assy Magneto	1
2	100056052-0001		Stator Assy Magneto	1
3	100011169-0004		Bolt_ M5×16	2
4	100011170-0003		Bolt_ M5×25	3
5	100100499-0001		BOLT M8×18	3
6	100104199		ROTOR ASSY MAGNETO	1
7	100103204		ASSEMBLY_OVERRUNNING CLUTCH	1
8	100050578		Bolt_M10×36	1
9	100053900		Washer_ φ10.5×2.5×φ24	1

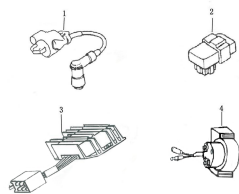
ELECTRIC STARTING MECHANISM



电启动机构
ELECTRIC STARTING MECHANISM

POS.	PART NO.	ERP CODE	ENGLISH NAME	QTY
1	100081750-0001		Starting Motor Assy	1
2	100011269-0003		Bolt_ M6×28	2
3	100103228		Shaft Reduction	1
4	100054759		Gear Reduction 1	1
5	100054758		Gear Reduction 1	1
6	100054756		Shaft Reduction	1
7	100054757		Gear Reduction 2	1
8	100054755		Gear Reduction 2	1
9	100054752		Ate Gear Assy	1
10	100050417		Washer,φ22×2.5×φ34	1

ELECTRIC



电器件 ELECTRIC

POS.	PART NO.	ERP CODE	ENGLISH NAME	QTY
1	100204266-0006		Ignition Coil	1
2	100124779		C.D.I	1
3	100205413		Rectifier	1
4	100205381		Relay	1