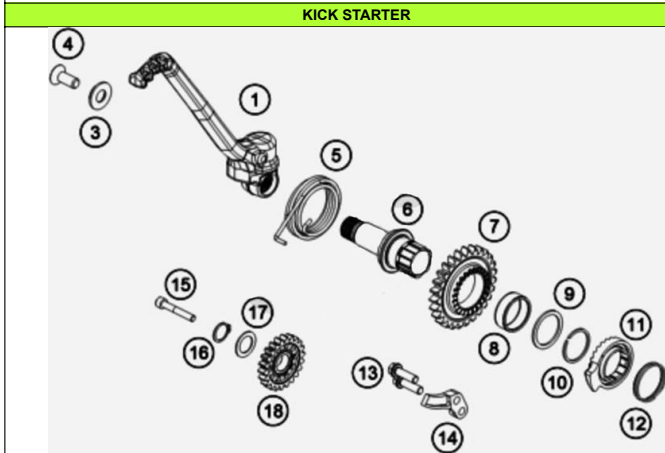


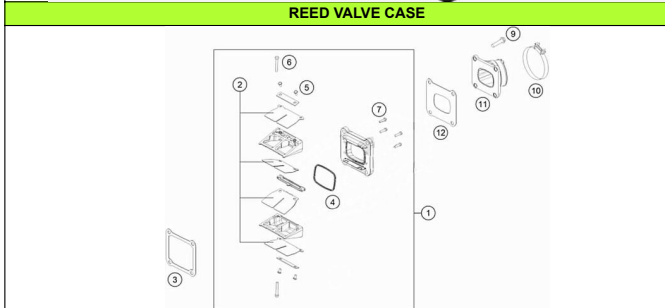
BALANCER SHAFT		POS.	PART NUMBER	ERP CODE	ENGLISH NAME	QTY
		1		FX0012032	AH-COLLAR SCREW	1
		2		FX0012033	WASHER	1
		3		FX0012034	WOODRUFF KEY	1
		4		FX0012035	AGW-GEAR WHEEL	1
		5		FX0012036	CIRCLIP	1
		6		FX0012037	GROOVED BALL BEARING	1
		7		FX0012038	NEEDLE BEARING	1
		8		FX0012039	CIRCLIP	1
		9		FX0012040	SEAL SHAFT RING	1
		10		FX0012041	BALANCER SHAFT	1
CLUTCH		POS.	PART NUMBER	ERP CODE	ENGLISH NAME	QTY
		1		FX0014002	OUTER CLUTCH HUB	1
		2		FX0014003	CLUTCH HUB	1
		3		FX0014004	CLUTCH PRESSURE CAP	1
		4		FX0014005	HUB	1
		5		FX0014006	DAMPING RUBBER	6
		6		FX0014007	DRIVING SLEEVE	6
		7		FX0014008	WASHER	1
		8		FX0014009(11)	INTERMEDIATE DISC	1
		9		FX0014010	INTERMEDIATE DISC	7
		10		FX0014011	INTERMEDIATE DISC	1
		11		FX0014012	LINING DISC	8
		12		FX0014013	PRIMARY GEAR	1
		13		FX0014014	INNER RING	1
		14		FX0014015	NEEDLE BEARING	1
		15		FX0014016	BELLEVILLE SPRING	1
		16		FX0014017	SPRING RING	1
		17		FX0014018	HH COLLAR SCREW	6
		18		FX0014019	LOCKING PLATE	1
		19		FX0014020	HEXAGON NUT	1
		20		FX0014021	WASHER	1
		21		FX0014022	PRESSURE PIECE CPL	1
		22		FX0014023	PUSH ROD	1
		23		FX0014024	OUTPUT CYLINDER CPL	1
		25		FX0014026	O-RING	1
		28		FX0014029	HH COLLAR SCREW	1
29		FX0014030	HH COLLAR SCREW	2		
52		FX0014032	AXIAL NEEDLE BEARING AXK 1226	1		
58		FX0014033	CIRCLIP	1		
55		FX0014034	AXIAL WASHER AS1226	1		
CLUTCH COVER		POS.	PART NUMBER	ERP CODE	ENGLISH NAME	QTY
		1		FX0013052	Inner clutch cover	1
		2		FX0013053	CLUTCH COVER GASKET INSIDE	1
		3		FX0013054	DOWEL	3
		4		FX0013055	CU-SEAL RING	1
		5		FX0013056	HH COLLAR SCREW	1
		6		FX0013057	SEALING ELEMENT BOTTOM	2
		7		FX0013058	SEALING CARRIER	1
		8		FX0013059	CLUTCH COVER GASKET OUTSIDE	1
		9		FX0013060	Clutch cover	1
		10		FX0013061	OIL FILLER CAP	1
		11		FX0013062	O-RING	1
		12		FX0013063	HH COLLAR SCREW	4
		13		FX0013064	HH COLLAR SCREW	3
		15		FX0013065	HH COLLAR SCREW	1
		16		FX0013066	HH COLLAR SCREW	7
		17		FX0013067	SHAFT SEAL RING	1
		CRANKSHAFT, PISTON		POS.	PART NUMBER	ERP CODE
		1		FX0012003	PISTON	1
		2		FX0012005	R-RING	2
		3		FX0012008	SNAP RING	2
		4		FX0012007	PISTON PIN	1
		5		FX0012023	HEX.NUT	1
		6		FX0012024	LOCK WASHER	1
		7		FX0012025	DISTANCE SLEEVE	1
		8		FX0012026	SHAFT SEAL RING	1
		9		FX0012027	O-RING	1
		10		FX0012019	BALL BEARING	1
		11		FX0012021	WOODRUFF KEY	1
		12		FX0012009	CRANKSHAFT	1
		13		FX0012022	WOODRUFF KEY	1
		14		FX0012018	NEEDLE BEARING	1
		15		FX0012020	CYLIND.ROL.BEAR.	1
		16		FX0012028	SHAFT SEAL RING	1
		17		FX0012029	LOCKING RING	1
		18		FX0012030	COLLAR NUT	1

CYLINDER, CYLINDER HEAD		POS.	PART NUMBER	ERP CODE	ENGLISH NAME	QTY		
		1		FX0011013	CYLINDER	1		
		2		FX0011004	Connection Flange	1		
		3		FX0011005	AH SCREW	4		
		4		FX0011006	COLLAR SCREW	6		
		5		FX0011007	CU-SEAL RING	6		
		6		FX0011008	HH COLLAR SCREW	1		
		7		FX0011009	CU-SEAL RING	1		
		8		FX0011003	CYLINDER HEAD	1		
		9		FX0011010	O-RING	1		
		10		FX0011011	O-RING	1		
		11		FX0011014	VACUUM CONNECTION	1		
		12		FX0011015	PVC-HOSE 6X9	1		
		13		FX0011016	SCREW M5X14 TORX 25 07	6		
		14		FX0011017	CONTROL COVER R/S 09	1		
		15		FX0011018	GASKET FOR CONTROL COVER R/S	1		
		16		FX0011019	CONTROL COVER L/S 09	1		
		17		FX0011020	GASKET FOR CONTROL COVER L/S	1		
		18		FX0011021	O-RING	4		
		19		FX0011022	RETAINING PLATE	2		
		20		FX0011023	COLLAR NUT	4		
		21		FX0011024	STUD SCREW	4		
		22		FX0011025	CYLINDER BASE GASKET	1		
		23		FX0011026	NEEDLE ROL.	2		
ENGINE CASE		POS.	PART NUMBER	ERP CODE	ENGLISH NAME	QTY		
		1		FX0013003	Enigne case cpl.	1		
				FX0013005		1		
		3		FX0013006	oil drain plug with magnet	1		
		4		FX0013007	CU-SEAL RING	1		
		6		FX0013008	CIRCLIP	1		
		7		FX0013009	CIRCLIP	1		
		8		FX0013010	Bracket for bleeding tube	1		
		11		FX0013011	RETAINING PLATE F. CS BEARING	1		
		12		FX0013014	BUSHING	2		
		14		FX0013032	COLLAR BUSHING	1		
		19		FX0013015	INT. TORX FLAT HEAD	3		
		26		FX0013053	CLUTCH COVER GASKET INSIDE	1		
		27		FX0013017	DOWEL BUSHING	1		
		28		FX0013018	DOWEL	1		
		39		FX0013016	ENGINE CASE GASKET	1		
		60		FX0013020	HH COLLAR SCREW	5		
		61		FX0013021	HH COLLAR SCREW	10		
		62		FX0013022	AH SCREW	1		
		EXHAUST CONTROL		POS.	PART NUMBER	ERP CODE	ENGLISH NAME	QTY
				1		FX0011028	INT. TORX FLAT HEAD	4
				2		FX0011029	RETAINING PLATE 300 R/S	1
				3		FX0011030	RETAINING PLATE 300 L/S	1
4				FX0011031	O-RING	2		
5				FX0011032	CONTROL ROLLER 300 LEFT CPL.	1		
6				FX0011033	CONTROL ROLLER 300 RIGHT CPL.	1		
10				FX0011034	AH SCREW	1		
11				FX0011035	SPRING SLEEVE	1		
12				FX0011036	OVERLOAD SPRING	1		
13				FX0011037	RETAIN.PLATE CONTROL FLAP	1		
14				FX0011038	CONTROL LEVER WITH BALL TYPE	1		
15				FX0011039	BUSHING SLEEVE	1		
16				FX0011040	GEAR SEGMENT RIGHT CPL.	1		
17				FX0011041	GEAR SEGMENT 300 L/S	1		
18				FX0011042	BEARING SLEEVE F. CONTROL FLAP	2		
19				FX0011043	O-RING	2		
20				FX0011044	CONTROL FLAP	1		
21				FX0011045	AH SCREW	1		
22				FX0011046	WASHER	1		
23				FX0011047	AH SCREW	1		
25				FX0011048	HH COLLAR SCREW	1		
26				FX0011049	WASHER	1		
27				FX0011050	BEARING SUPPORT	1		
28				FX0011051	HH COLLAR SCREW	2		
29				FX0011052	SPRING WASHER	1		
31				FX0011053	CENTRIFUGAL FORCE REGULATOR	1		
36				FX0011054	BALL BEARING	2		
40				FX0011055	HH COLLAR SCREW	2		
41				FX0011056	COVER LID	1		
43				FX0011057	SPRING GUIDE	1		
44				FX0011058	O-RING	1		
45				FX0011059	O-RING	1		
46		FX0011060	ADJUST. SPRING	1				
47		FX0011061	AUXILIARY SPRING	1				
48		FX0011064	SPRING INSERT	1				
50		FX0011065	angle lever	1				
51		FX0011066	SHIM WASHER	2				
52		FX0011067	NEEDLE SLEEVE	2				



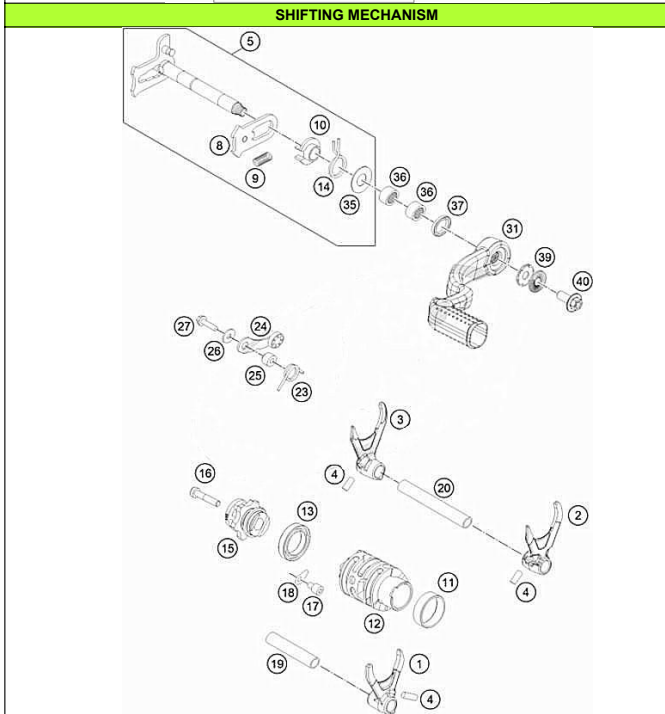
KICK STARTER

POS.	PART NUMBER	ERP CODE	ENGLISH NAME	QTY
53		FX0011068	ADJUSTING LEVER	1
60		FX0011069	CONNECTING ROD CPL.	2
		FX0011070		1
61		FX0011071	SECURING	1
POS.	PART NUMBER	ERP CODE	ENGLISH NAME	QTY
2		FX0019001	KICKSTARTER	1
1		FX0019002	KICKSTARTER CPL.	1
3		FX0019003	WASHER 8MM GALVANIZED	1
4		FX0019004	FLAT HEAD SCREW	1
5		FX0019005	KICK STARTER SPRING	1
6		FX0019006	KICK STARTER SHAFT	1
7		FX0019007	KICK STARTER WHEEL	1
8		FX0019008	NEEDLE BEAR	1
9		FX0019009	STOP DISC	1
10		FX0019010	CIRCLIP	1
11		FX0019011	KICK STARTER RATCHET	1
12		FX0019012	RATCHET GEAR SPRING	1
13		FX0019013	HH COLLAR SCREW	2
14		FX0019014	BUMP PART	1
15		FX0019015	AH SCREW	1
16		FX0019016	CIRCLIP	1
17		FX0019017	STOP DISC	1
18		FX0019018	KICKSTART	1



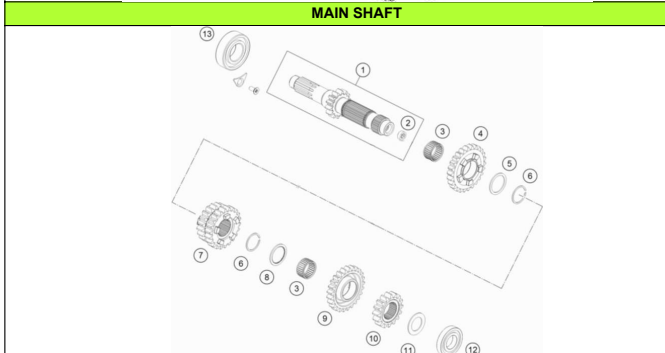
REED VALVE CASE

POS.	PART NUMBER	ERP CODE	ENGLISH NAME	QTY
1		FX0019019	REED VALVE CASE CPL.	1
130		FX0019020		
2		FX0019021	REED VALVE SET	1
3		FX0019022	GASKET REED VALVE CASE	1
4		FX0019023	GASKET SUPPORTING PLATE	1
5		FX0019024	EJOT DELTA PT SCREW	4
6		FX0019025	EJOT DELTA PT SCREW	2
7		FX0019026	EJOT DELTA PT SCREW	4
9		FX0019027	HH COLLAR SCREW M6X25	4
10		FX0019028	CLAMP 54/09 MIXED	1
11		FX0019029	Intake flange	1
12		FX0019030	GASKET INTAKE FLANGE	1




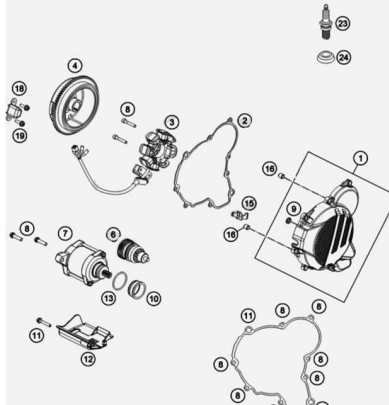
SHIFTING MECHANISM

POS.	PART NUMBER	ERP CODE	ENGLISH NAME	QTY
1		FX0015002	SHIFT FORK 5.-6. GEAR	1
2		FX0015003	SHIFT FORK 2.-4. GEAR	1
3		FX0015004	SHIFT FORK 1.-3. GEAR	1
4		FX0015005	NEEDLE ROLLER	3
5		FX0015006	SHIFT SHAFT CPL.	1
8		FX0015007	SLIDING PLATE	1
9		FX0015008	TENSIONING SPRING	1
10		FX0015009	SPRING GUIDE	1
11		FX0015010	FRICTION BEARING CONTROLLER	1
12		FX0015011	SHIFT ROLLER	1
13		FX0015012	BALL BEARING	1
14		FX0015013	RETURN SPRING	1
15		FX0015014	GEARSHIFT CPL.	1
16		FX0015015	AH SCREW	1
17		FX0015016	INT. TORX FLAT HEAD	2
18		FX0015017	RETAINING PLATE F. CS BEARING	1
19		FX0015031	SHIFTING MAIN	1
20		FX0015019	SHIFTING MAIN L=93MM	1
23		FX0015020	LOCKING LEVER SPRING	1
24		FX0015021	LOCKING LEVER CPL.	1
25		FX0015022	SLEEVE FOR LOCKING LEVER	1
26		FX0015023	WASHER	1
27		FX0015024	HH COLLAR SCREW	1
31		FX0015025	SHIFTING LEVER CPL.	1
35		FX0015026	STOP DISK	2
36		FX0015027	NEEDLE BEAR.	2
37		FX0015028	SHAFT SEAL RING	1
39		FX0015029	NORDLOCK WASHER	1
40		FX0015030	HH COLLAR SCREW	1



MAIN SHAFT

POS.	PART NUMBER	ERP CODE	ENGLISH NAME	QTY
/		FX0014033	TRANSMISSION I - MAIN SHAFT	1
1		FX0014034	Main shaft cpl. 14T	1
2		FX0014035	BUSHING	1
3		FX0014036	NEEDLE BEAR	1
4		FX0014037	Idler gear 6.G, Z=26	1
5		FX0014038	STOP DISC	1
6		FX0014039	CIRCLIP WS24	3
7		FX0014040	Sliding gear 3rd/4th., t=20/22	1
8		FX0014041	STOP DISC	2
9		FX0014042	Idler gear 5.G, Z=25	1
10		FX0014043	Idler gear 5.G, Z=25	1
11		FX0014044	DISK	1
12		FX0014045	GROOVED BALL BEAR	1
13		FX0014046	BALL BEARING	1

COUNTERSHAFT		POS.	PART NUMBER	ERP CODE	ENGLISH NAME	QTY
		/		FX0014049	TRANSMISSION II - COUNTERSHAFT	1
		1		FX0014050	CIRCLIP	1
		2		FX0014051	BALL BEARING	2
		3		FX0014052	STOP DISK	1
		4		FX0014053	NEEDLE BEARING	1
		5		FX0014054	Idler gear 1.G. Z=32	1
		6		FX0014055	STOP DISC	1
		7		FX0014056	Sliding gear 6 th, Z=20	1
		8		FX0014057	CIRCLIP WS24	3
		9		FX0014058	STOP DISC	2
		10		FX0014059	Idler gear 3th, Z=25	1
		11		FX0014060	NEEDLE BEAR	3
		12		FX0014061	Idler gear 4.G, Z=23	1
		13		FX0014062	Sliding gear 5th Z=22	1
		14		FX0014063	STOP DISC	1
		15		FX0014064	Idler gear 2 nd. gear T=26	1
		16		FX0014065	NEEDLE BEAR	1
		17		FX0014066	Output shaft	1
		18		FX0014067	CYL.ROLL BEARING	1
		19		FX0014068	SHAFT SEAL RING	1
		20		FX0014069	O-RING	1
		21		FX0014070	SPACER SLEEVE COUNTER	1
		22		FX0014071	SPROCKET 14T	1
		23		FX0014073	SPRING WASHER	1
24		FX0014072	SCREW 10.9	1		
WATER PUMP		POS.	PART NUMBER	ERP CODE	ENGLISH NAME	QTY
		1		FX0017002	WATER PUMP COVER	1
		3		FX0017004	GASKET WATER PUMP COVER	1
		4		FX0017005	HH COLLAR SCREW	1
		5		FX0017006	WATER PUMP WHEEL CPL.	1
		6		FX0017007	PREFORMED WASHER	1
		7		FX0017008	SHAFT SEAL RING	1
		8		FX0017009	BALL BEARING	1
		9		FX0017010	CU-SEAL RING	1
		10		FX0017011	HH COLLAR SCREW	1
		11		FX0017012	HH COLLAR SCREW	2
		12		FX0017013	HH COLLAR SCREW	4
		IGNITION SYSTEM		POS.	PART NUMBER	ERP CODE
		1		FX0013024	Ignition cover cpl.	1
		2		FX0013025	GASKET IGNITION COVER	1
		3		FX0013026	STATOR	1
		4		FX0013027	ROTOR	1
		6		FX0013028	BENDIX	1
		7		FX0013029	STARTER ENGINE	1
		8		FX0013030	HH COLLAR SCREW	11
		9		FX0013031	COLLAR BUSHING	1
		10		FX0013032	BEARING BUSH	1
		11		FX0013033	HH COLLAR SCREW	3
		12		FX0013034	PROTECTION CAP STARTER ENGINE	1
		13		FX0013035	O-RING	1
		15		FX0013036	Holding plate generator cable	1
		16		FX0013037	DOWEL	2
		18		FX0013038	PULSER COIL	1
		19		FX0013039	HH COLLAR SCREW	2
23		FX0013043	SPARK PLUG	1		
24		FX0013044	SEALING CUP FOR SPARK PLUG	1		