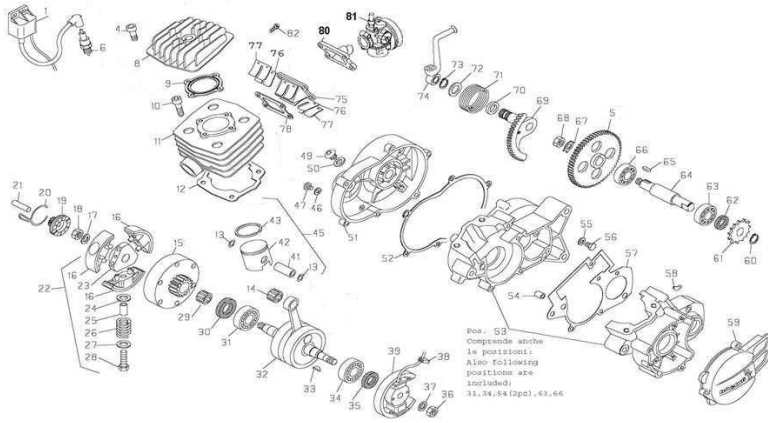


MX50 ENGINE LIST V1

50CC AIR COOLED ENGINE



POS.	PART NO.	NAME
1	XF11-063000	ELECTRONIC H.T. COIL
4	6*20	SCREW 6X20
5	XF11-070003	PRIMARY DRIVE
6	F9RC	SPARK PLUG 3N 3C
8	XF11-020004	CYLINDER HEAD
9	XF11-020009	GASKET
10	8*20	SCREW 8X20
11	XF11-020001	CYLINDER
12	XF11-020002	CYLINDER CRANKCASE GASKET
13	XF02-050003	CIRCLIP
14	JB/T7918-97	NEEDLE BEARING 12X15X15
15	XF11-072000	CLUTCH HOUSE
16	XF11-071002	CLUTCH PAD
17	XF11-10*17	WASHER 10X17
18	10*1,25*6	SPECIAL NUT 10X1,25X6
19	XF11-080004	KICK STARTER SLEEVE
20	XF11-080005	SPRING
21	8*32	PIN 8X32
22	XF11-071000	CLUTCH ASSY
23	XF11-071001	CLUTCH HUB
24	XF11-071002	SPECIAL WASHER 8X15X0,5
25	XF11-071003	SPACER
26	XF11-071004	SPRING
27	XF11-071005	SPECIAL WASHER 8X15X0,15
28	XF11-071006	BOLT 6X25
29	JB/T7918-97-1	NEEDLE BEARING 15X18X17
30	XF11-032000	OIL SEAL 17X35X7
31	GB/T276-95	BALL BEARING 17X40X12
32	XF11-041000	CRANKSHAFT
33	GB1099-79	WOODRUFF KEY 2.5X3,7/2.5*10
34	GB/T276-95	BALL BEARING 17X40X12
35	XF11-031000	OIL SEAL 15X24X7
36	GB5787-86	SPECIAL NUT 10X1,25X6
39	XF11-061000	ELECTRIC FLYWHEEL -ROTOR
	XF11-062000	ELECTRIC FLYWHEEL -STATOR
41	XF11-050002	PISTON PIN
42	XF11-051000	PISTON
43	XF11-050001	PISTON RING
45	XF11-050000	COMPL. PISTON
46	6*12*1,5	GASKET 6X12X1,5
47	6*8	SCREW 6X8
49	XF11-030001	OIL PLUG
50	XF-16*22,5*1	GASKET 16X22,5X1
51	XF11-030011	CLUTCH COVER
52	XF11-030010	CLUTCH COVER GASKET
53	XF11-030008/9	CRANKCASE (pos.31,34,54(2pz),63,66)
54	9*10	DOWEL 9X10
55	10*15*1	GASKET 10X15X1 COPPER
56	GB6171-00	SPECIAL BOLT 10*16
57	XF11-030007	CRANKCASE GASKET
59	XF11-030006	MAGNETO COVER
60	GB894.2-86	SEEGER 15E
61	XF11-070001	SPROCKET Z.10
62	XF11-033000	OIL SEAL 15X24X5
63	GB/T276-94	BALL BEARING 15X35X11
64	XF11-070002	TRANSMISSION SHAFT
65	GB1099-791	WOODRUFF KEY 5X5X12
66	GB/T276-94	BALL BEARING 15X35X11
68	GB6177.2-00	SPECIAL NUT 14X1,25
69	XF11-082000	OUTPUT SHAFT
70	XF11-040003	OIL SEAL 16X22X4
71	XF11-080002	KICKSTARTER SPRING
72	XF11-034000	WASHER 16X26X1
73	GB894.2-86	SEEGER 15E
74	XF11-081000	KICK STARTER LEVER
75		REED VALVE
76	XF11-011000	VALVE'S BLADE
77		VALVE'S PLATE
78	XF11-010001	VALVE' S GASKET
80	XF11-012000	INTAKE
81	H121	CARBURATOR