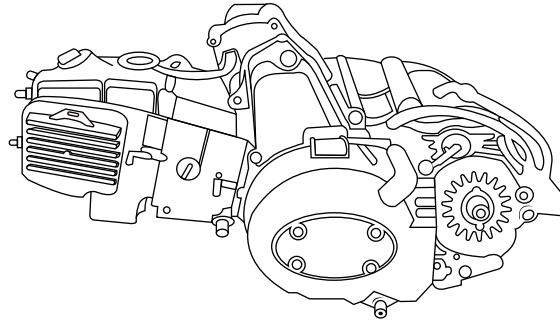




ENGINE# 152FMH

## ZS110 CATALOG (BK110)



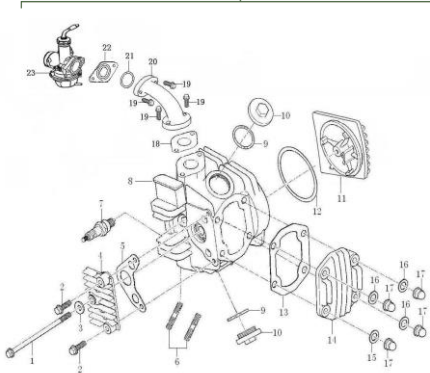
thumpstar.com.au  
thumpstar.co.nz  
thumpstarusa.com

FOR ILLUSTRATION ONLY

### CYLINDER HEAD ASSYMBLY

POS.	PART NO	ERP CODE	ENGLISH NAME	QTY	NAME
A	TS0069		COMPLETE ASSEMBLY		
1	P061341	91192-D002-00000X	BOLT M6×110	1	70缸头左右连接螺栓M6×110(兰白锌)
2	P061342	B166740A06002070X	BOLT M6×20	2	GB16674小盘螺栓M6×20(兰白锌)
3	P061343	93301-70651012000	WASHER 6.5×1×12	1	70号垫圈6.5×1×12
4	P061344	11228-G011-01000W	RIGHT COVER, CYLINDER HEAD	1	S125脚气缸头右盖组合(抛丸钝化)
5	P061345	90203-D002-0000	GASKET, R. CYLINDER HEAD COVER	1	S125脚气缸头右盖密封垫
6	P061346	91138-1015-00000X	BOLT M6×32	2	GY6缸头排气口双头螺栓M6×32(兰白锌)
7	P061347	81300-G011-0000	SPARK PLUG	1	CB125脚火花塞部件
8	P061348	11228-HZ30-00000W	CYLINDER HEAD ASSY	1	S125脚-4#气缸头组合(定位销孔ø8 抛丸钝化)
9	P061349	90101-20296000320	O-RING 29.6×3.2	2	70气门盖O形圈29.6×3.2(氟硅胶)
10	P061350	11230-D002-00000W	COVER, VALVE CHAMBER	2	70气门室盖(抛丸钝化)
11	P061351	11227-G011-01000W	LEFT COVER, CYLINDER HEAD	1	S125脚气缸头左盖(抛丸钝化)
12	P061352	90202-D002-0000	GASKET, L. CYLINDER HEAD COVER	1	S125脚气缸头左盖密封垫
13	P061353	90201-D002-0000	GASKET, CYLINDER HEAD UPPER COVER	1	S125脚气缸头上盖密封垫
14	P061354	11226-G011-00000W	UPPER COVER, CYLINDER HEAD	1	S125脚气缸头上盖(抛丸钝化)
15	P061355	93301-80732514000	WASHER 7.3×2.5×14	1	C100缸头盖铜垫圈7.3×2.5×14
16	P061356	93301-2073251400B	WASHER 7.3×2.5×14	3	C100缸头盖铁垫圈7.3×2.5×14(白锌)
17	P061357	91201-G011-00000X	NUT M7	4	L100缸头盖形螺母M7(兰白锌)
18	P061358	15810-G001-0000	GASKET, INLET PIPE	1	C120进气管密封垫
19	P061359	B05783006002570X	BOLT M6×25	4	GB5783螺栓M6×25(兰白锌)
20	P061360	15800-F009-0004	INLET PIPE	1	S125D进气管组合(JQ-48)
21	P061361	90101-10250000240	O-RING 25×2.4	1	C120化油器隔热垫O形圈29×2.4(丁腈胶)
22	P061362	90214-G011-0000	GASKET, CARBURETOR	1	C120化油器隔热垫
23	P061363	17100-0000-0011	CARBURETOR	1	C120化油器(PZ20 手动)带燃油开关

#### A - Assembly

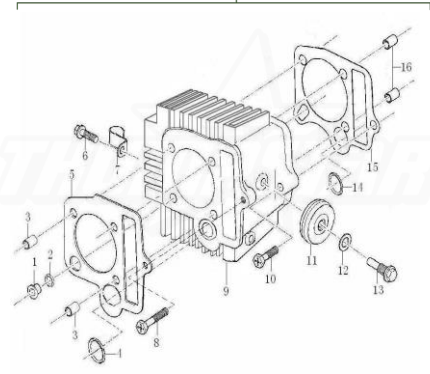


气缸头部件  
CYLINDER HEAD ASSY

### CYLINDER HEAD

POS.	PART NO	ERP CODE	ENGLISH NAME	QTY	NAME
A	TS0070		Complete Assembly		
1	P061364	11235-D002-0000	BUSH 9.5	1	ZS/BK110 [E2-1] 70反冲衬套9.5
2	P061365	90102-D002-0001	RECTANGLE RING 8×10.8×1.5	1	ZS/BK110 [E2-2] 70矩形密封圈ø8×10.8×1.5
3	P061366	91521-08001400070	PIN 8×14×7	2	ZS/BK110 [E2-3] C100定位销8×14×7
4	P061367	90102-D002-0003	RECTANGLE RING 14×18.2×2.5	1	ZS/BK110 [E2-4] 70矩形密封圈ø14×18.2×2.5
5	P061368	9022B-HZ30-0000	GASKET ASSY, CYLINDER HEAD	1	ZS/BK110 [E2-5] C110气缸头密封垫组合
6	P061369	B166740A06001670X	BOLT M6×16	1	ZS/BK110 [E2-6] GB16674小盘螺栓M6×16(兰白锌)
7	P061370	11003-D002-00000X	CLIP, HIGH VOLTAGE WIRE	1	ZS/BK110 [E2-7] 70高压线固定夹(兰白锌)
8	P061371	91113-D002-00000X	BOLT M6×23	1	ZS/BK110 [E2-8] 70缸体箱体连接螺栓M6×23(兰白锌)
9	P061372	1110B-HZ01-00010Y	CYLINDER BLOCK ASSEMBLY	1	ZS/BK110 [E2-9] BK110气缸体部件(包含108 铁块电压高)
10	P061373	91113-D083-00000X	BOLT M6×20	1	ZS/BK110 [E2-10] BK70缸体箱体连接螺栓M6×20(兰白锌)
11	P061374	1533A-HZ30-0000	GUIDE CHAIN ROLLER SET	1	ZS/BK110 [E2-11] C110链条导向轮组合(45)
12	P061375	93301-70851514000	WASHER 8.5×1.5×14	1	ZS/BK110 [E2-12] 70导向滚轴垫圈8.5×1.5×14
13	P061376	15302-D002-00000X	GUIDE CHAIN ROLLER PIN	1	ZS/BK110 [E2-13] 70导向滚轴销轴(兰白锌)
14	P061377	90102-D002-0002	RECTANGLE RING 11.5×16×2.5	1	ZS/BK110 [E2-14] 70矩形密封圈ø11.5×16×2.5
15	P061378	90205-HZ30-0000	GASKET, CYLINDER BLOCK	1	ZS/BK110 [E2-15] C110气缸体密封垫
16	P061379	91521-08001200070	PIN 8×12×7	2	ZS/BK110 [E2-16] C100缸体箱体连接定位销8×12×7

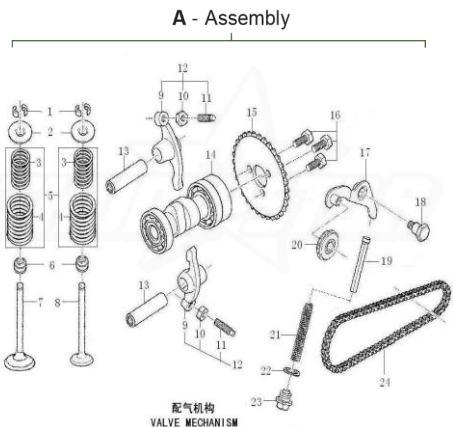
#### A - Assembly



气缸体部件  
CYLINDER ASSEMBLY

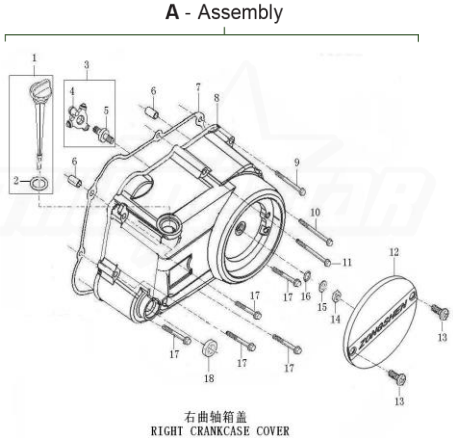
**VALVE MECHANISM**

POS.	PART NO	ERP CODE	ENGLISH NAME	QTY	NAME
A	TS0071		Complete Assembly		
1	P061380	15707-D002-0000	VALVE COTTER	4	ZS/BK110 [E3-1] 70气门锁夹
2	P061381	15705-D002-0000	SPRING SEAT	2	ZS/BK110 [E3-2] 70气门弹簧座(上)
3	P061382	15704-D002-0200	VALVE INNER SPRING	2	ZS/BK110 [E3-3] 70-3#气门内弹簧
4	P061383	15703-D002-0000	VALVE OUTER SPRING	2	ZS/BK110 [E3-4] 70气门外弹簧
5	P061384	15710-D002-0200	INNER SPRING ASSY	2	ZS/BK110 [E3-5] 70-3#气门内外弹簧组合
6	P061385	1572B-D002-0000	SEAL, VALVE STEM	2	ZS/BK110 [E3-6] 70汽门油嘴组合
7	P061386	15701-D002-0000	INLET VALVE	1	ZS/BK110 [E3-7] 70进气门
8	P061387	15702-D002-0000	EXHAUST VALVE	1	ZS/BK110 [E3-8] 70排气门
9	P061388	15401-D002-0000	ROCKER ARM	2	ZS/BK110 [E3-9] 70气门摇臂
10	P061389	15403-D002-0000	NUT, VALVE CLEARANCE	2	ZS/BK110 [E3-10] 70气门间隙调整螺母
11	P061390	15404-D002-0000	SCREW, VALVE CLEARANCE	2	ZS/BK110 [E3-11] 70气门间隙调整螺钉
12	P061391	1540A-D002-0000	ROCKER ARM ASSEMBLY, VALVE	2	ZS/BK110 [E3-12] 70气门摇臂组合
13	P061392	15402-D002-0000	ROCKER SHAFT	2	ZS/BK110 [E3-13] 70气门摇臂轴
14	P061393	15100-G011-0005	GAMP SHAFT COMP	1	ZS/BK110 [E3-14] C100凸轮轴部件(轴长1800.3, 1800.2)
15	P061394	15101-D002-0000	TIMING DRIVEN SPROCKET	1	ZS/BK110 [E3-15] 70正时从动链轮
16	P061395	91191-D002-0000	BOLT M5x12	3	ZS/BK110 [E3-16] 70正时链轮螺栓M5x12
17	P061396	1556B-D002-0000	CHAIN ADJUSTING SET	1	ZS/BK110 [E3-17] 70链条张紧器组合
18	P061397	15505-D002-0000	AXLE, TENSIONER LEVER	1	ZS/BK110 [E3-18] 70链条张紧器芯轴
19	P061398	1555B-D002-0000	CHAIN TYHT SET	1	ZS/BK110 [E3-19] 70链条张紧杆组合
20	P061399	1554B-D002-0000	LIFTER ASSY	1	ZS/BK110 [E3-20] 70链条张紧轮组合
21	P061400	15503-D002-0000	SPRING	1	ZS/BK110 [E3-21] 70链条张紧杆弹簧
22	P061401	93301-71451520000	WASHER 14.5x1.5x20	1	ZS/BK110 [E3-22] 70密封螺母垫圈14.5x1.5x20
23	P061402	91105-D002-0000X	SEALING PLUG M14x1.5	1	ZS/BK110 [E3-23] 70密封塞M14x1.5(三白件)
24	P061403	1532B-G011-0000	SPROCKET CHAIN	1	ZS/BK110 [E3-24] C100正时链条组合(84)



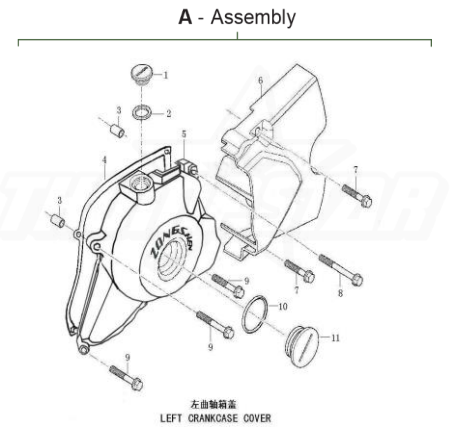
**RIGHT CRANKCASE COVER**

POS.	PART NO	ERP CODE	ENGLISH NAME	QTY	NAME
A	TS0072		Complete Assembly		
1	P061404	14301-G011-0000	OIL RULER ASSY	1	ZS/BK110 [E4-1] C100机油尺组合(白漆本色)整体式
2	P061405	90101-1018000300	O-RING 18x3	1	ZS/BK110 [E4-2] C6125机油尺O形圈18x3(丁腈胶)
3	P061406	2244A-G031-0000X	CLUTCH TAPPET	1	ZS/BK110 [E4-3] Z100离合踏板轴衬套(轴衬套式) 离合器脚踏 三白件
4	P061407	22440-G011-0000	CLUTCH TAPPET	1	ZS/BK110 [E4-4] C100离合踏板轴衬套组合(原柱式)
5	P061408	91112-G031-0000X	BOLT M8	1	ZS/BK110 [E4-5] Z100离合踏板轴衬套(三白件)
6	P061409	91521-08001200063	PIN 8x12x6.3	2	ZS/BK110 [E4-6] 70定位销8x12x6.3
7	P061410	90206-D002-0000	GASKET, R. CRANKCASE COVER	1	ZS/BK110 [E4-7] 70右曲轴箱密封垫
8	P061411	12421-G031-000089	COVER COMP. RIGHT CRANKCASE	1	ZS/BK110 [E4-8] Z100右曲轴箱盖(白漆 普通漆 8801)
9	P061412	B166740A06008070X	BOLT M6x80	1	ZS/BK110 [E4-9] GB16674小直径螺栓M6x80(三白件)
10	P061413	B166740A06009070X	BOLT M6x90	1	ZS/BK110 [E4-10] GB16674小直径螺栓M6x90(三白件)
11	P061414	B166740A06006570X	BOLT M6x65	1	ZS/BK110 [E4-11] GB16674小直径螺栓M6x65(三白件)
12	P061415	12425-G001-000189	DECORATE COVER, R. CRANKCASE COVER	1	ZS/BK110 [E4-12] 100右曲轴箱盖(20X205X25) 白漆 普通漆 8801
13	P061416	B008200006001620X	SCREW M6x16	2	ZS/BK110 [E4-13] GB820螺钉M6x16(三白件)
14	P061417	B061700080000908	NUT 8	1	ZS/BK110 [E4-14] GB6170螺母M8(白件)
15	P061418	B0009701080000008	WASHER φ8	1	ZS/BK110 [E4-15] GB97.1垫圈φ8(白件)
16	P061419	90101-10080001180	O-RING 8x1.8	1	ZS/BK110 [E4-16] C100离合踏板轴衬套O形圈8x1.8(丁腈胶)
17	P061420	B166740A06004070X	BOLT M6x40	5	ZS/BK110 [E4-17] GB16674小直径螺栓M6x40(三白件)
18	P061421	90304-D002-0000	OIL SEAL 13.8x24x5	1	ZS/BK110 [E4-18] 70轴封油封13.8x24x5(丁腈胶)



**LEFT CRANKCASE**

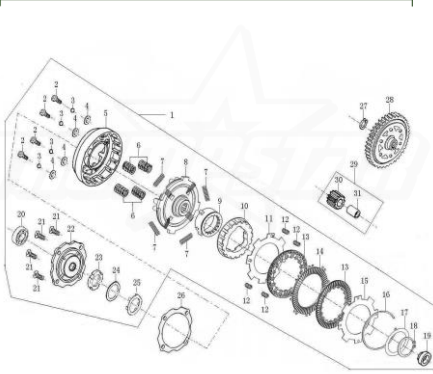
POS.	PART NO	ERP CODE	ENGLISH NAME	QTY	NAME
A	TS0073		Complete Assembly		
1	P061422	12303-G011-000089	CAP, SMALL VIEW HOLE	1	ZS/BK110 [E5-1] C100小视孔盖(8801)
2	P061423	90101-10132000265	O-RING 13.2x2.65	1	ZS/BK110 [E5-2] C100小视孔盖O形圈13.2x2.65(丁腈胶)
3	P061424	91521-08001200063	PIN 8x12x6.3	2	ZS/BK110 [E5-3] 70定位销8x12x6.3
4	P061425	90204-D083-0000	GASKET, L. CRANKCASE COVER	1	ZS/BK110 [E5-4] BK70左曲轴箱盖密封垫
5	P061426	12301-D083-000189	FRONT PART, L. CRANKCASE COVER	1	ZS/BK110 [E5-5] BK70左曲轴箱盖前盖(ZONGSHEN 普通漆 8801)
6	P061427	12302-D083-000089	BACK PART, L. CRANKCASE COVER	1	ZS/BK110 [E5-6] BK70左曲轴箱盖后盖(ZONGSHEN 普通漆 8801)
7	P061428	B166740A06002570X	BOLT M6x25	2	ZS/BK110 [E5-7] GB16674小直径螺栓M6x25(三白件)
8	P061429	B166740A06005570X	BOLT M6x55	1	ZS/BK110 [E5-8] GB16674小直径螺栓M6x55(三白件)
9	P061430	B166740A06003270X	BOLT M6x32	3	ZS/BK110 [E5-9] GB16674小直径螺栓M6x32(三白件)
10	P061431	90101-10274000265	O-RING 27.4x2.65	1	ZS/BK110 [E5-10] C100大视孔盖O形圈27.4x2.65(丁腈胶)
11	P061432	12304-G011-000089	CAP, BIG VIEW HOLE	1	ZS/BK110 [E5-11] C100大视孔盖(8801)



**CLUTCH ASSEMBLY**

POS.	PART NO	ERP CODE	ENGLISH NAME	QTY	NAME
A	TS0074		Complete Assembly		
1	P061433	22000-G031-0000	CLUTCH ASSY	1	ZS/BK110 [E6-1] Z100离合总成
2	P061434	B008180005001220B	SCREW M5x12	4	ZS/BK110 [E6-2] GB818螺钉M5x12(白件)
3	P061435	B0009300030000000	WASHER φ5	4	ZS/BK110 [E6-3] GB93弹垫5
4	P061436	B0009600050000K00	WASHER φ5-140HV	4	ZS/BK110 [E6-4] GB96垫圈 5-140HV
5	P061437	22151-G031-0000	OUTER CASE, CLUTCH	1	ZS/BK110 [E6-5] Z100离合器外壳
6	P061438	22142-G031-0000	SPRING, CLUTCH	4	ZS/BK110 [E6-6] Z100离合弹簧
7	P061439	22144-G031-0000	ABSORBING SPRING	4	ZS/BK110 [E6-7] Z100离合器减震弹簧
8	P061440	22110-G031-0000	DRIVE PLATE, COMP	1	ZS/BK110 [E6-8] Z100离合器主动盘组件
9	P061441	22109-G031-0000	ALIGNING SLIDING BUSH	1	ZS/BK110 [E6-9] Z100离合器定位衬套

A - Assembly

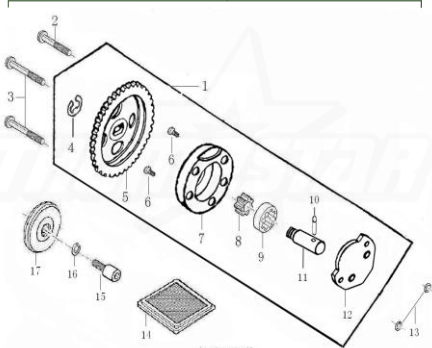


离合器总成  
CLUTCH ASSY

POS.	PART NO	ERP CODE	ENGLISH NAME	QTY	NAME
10	P061442	22102-G031-0000	HUB,CLUTCH SLEEVE	1	ZS/BK110 [E6-10] Z100离合器稳定心套
11	P061443	2213B-G031-0000	CLUTCH TOP PLATE	1	ZS/BK110 [E6-11] Z100离合器上板组合
12	P061444	22143-G031-0000	CLUTCH CUT SPRING	4	ZS/BK110 [E6-12] Z100离合器分离弹簧
13	P061445	2215-G031-0000	OUTER FRICTION DISK A	2	ZS/BK110 [E6-13] Z100离合器外摩擦片
14	P061446	22214-G031-0000	DRIVE FRICTION DISK	1	ZS/BK110 [E6-14] Z100离合器主动摩擦片
15	P061447	2212B-G031-0000	CLUTCH BELOW PLATE	1	ZS/BK110 [E6-15] Z100离合器下板组合
16	P061448	91403-D002-0000	ELASTIC CHECK RING	1	ZS/BK110 [E6-16] 70离合器挡圈
17	P061449	22129-G031-0000	SHOCK ABSORBER PLATE	1	ZS/BK110 [E6-17] Z100离合器缓冲簧片
18	P061450	B0089401450000000	CIRCLIP 45	1	ZS/BK110 [E6-18] GB894.1挡圈45
19	P061451	22135-D002-0000	SLEEVE	1	ZS/BK110 [E6-19] 70主动齿座副衬套
20	P061452	92102-0000006000	BEARING (6000)	1	ZS/BK110 [E6-20] 轴承(6000)
21	P061453	B008190205001270B	SCREW M5x12	4	ZS/BK110 [E6-21] GB819.2螺钉M5x12(白锌)
22	P061454	22121-G031-0000	END COVER,CLUTCH	1	ZS/BK110 [E6-22] Z100离合器端盖
23	P061455	91202-D002-0000	LOCK NUT, CLUTCH	1	ZS/BK110 [E6-23] 70离合器锁紧螺母
24	P061456	22004-D002-0000	DISH WASHER, CLUTCH	1	ZS/BK110 [E6-24] 70离合器碟形垫圈
25	P061457	22001-D002-0000	STOP WASHER, CLUTCH	1	ZS/BK110 [E6-25] 70离合器止退垫圈
26	P061458	90218-G031-0000	GASKET END COVER	1	ZS/BK110 [E6-26] Z100离合器端盖密封垫
27	P061459	23226-D002-0000	CIRCLIP	1	ZS/BK110 [E6-27] 70主动齿座衬套
28	P061460	2312B-G031-0000	DRIVEN GEAR COMP	1	ZS/BK110 [E6-28] Z100从动齿组合
29	P061461	23110-G031-0000	DRIVEN GEAR	1	ZS/BK110 [E6-29] Z100主动齿组合
30	P061462	23101-G031-0000	PRIMARY DRIVE GEAR	1	ZS/BK110 [E6-30] Z100主动齿
31	P061463	23102-G031-0000	AXLE SLEEVE	1	ZS/BK110 [E6-31] Z100主动齿轴衬套

OIL PUMP

A - Assembly

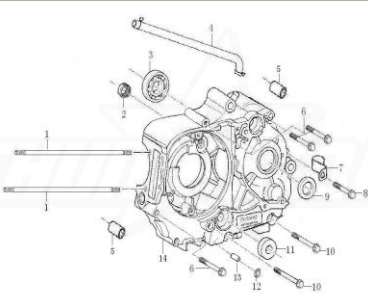


机油泵部件  
OIL PUMP

POS.	PART NO	ERP CODE	ENGLISH NAME	QTY	NAME
A	TS0075		Complete Assembly		
1	P061464	1432B-D002-0000	HUB DUMP CHAIN SPROCKET, OIL PUMP	1	ZS/BK110 [E7-1] 70机油泵传动链轮组合
2	P061465	14302-D002-0000	OIL PUMP SPROCKET SHAFT	1	ZS/BK110 [E7-2] 70机油泵链轮轴
3	P061466	14304-D002-0000	BUSH, SPROCKET	1	ZS/BK110 [E7-3] 70机油泵链轮轴套
4	P061467	90210-D002-0000	GASKET,OIL PUMP	1	ZS/BK110 [E7-4] 70机油泵体密封垫
5	P061468	14107-G011-0000	SHAFT,OIL PUMP	1	ZS/BK110 [E7-5] C100机油泵油泵轴
6	P061469	14111-G011-0000	INNER ROTOR, OIL PUMP	1	ZS/BK110 [E7-6] C100机油泵内转子
7	P061470	14112-G011-0000	OUTER ROTOR, OIL PUMP	1	ZS/BK110 [E7-7] C100机油泵外转子
8	P061471	14110-G011-0000	OIL PUMP BODY	1	ZS/BK110 [E7-8] C100机油泵壳体
9	P061472	90221-D002-0000	GASKET,OIL PUMP COVER	1	ZS/BK110 [E7-9] 70机油泵盖密封垫
10	P061473	14108-G011-0000	OIL PUMP COVER	1	ZS/BK110 [E7-10] C100机油泵盖
11	P061474	B008180005001020B	SCREW M5x10	3	ZS/BK110 [E7-11] GB818螺钉M5x10(白锌)
12	P061475	B00823000600220B	SCREW M6x22	1	ZS/BK110 [E7-12] GB823螺钉M6x22(白锌)
13	P061476	B008230006001620B	SCREW M6x16	2	ZS/BK110 [E7-13] GB823螺钉M6x16(白锌)
14	P061477	14100-G011-0000	OIL PUMP ASSY	1	ZS/BK110 [E7-14] C100机油泵部件
15	P061478	1431B-D002-0000	STRAINER,OIL FILTER	1	ZS/BK110 [E7-15] 70机油过滤器网组合

LEFT CRANKCASE

A - Assembly

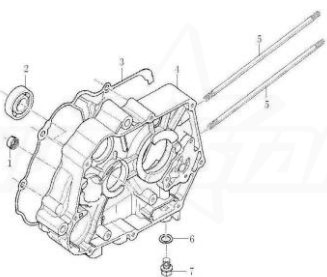


左曲轴箱  
LEFT CRANKCASE

POS.	PART NO	ERP CODE	ENGLISH NAME	QTY	NAME
A	TS0076		Complete Assembly		
1	P061479	91101-G011-0000	CYLINDER STUD BOLT A	2	ZS/BK110 [E8-1] C100气缸缸头螺栓A(203mm)
2	P061480	92102-000NK142212	BEARING (NK14x22x12)	1	ZS/BK110 [E8-2] 滚针轴承(NK14x22x12)
3	P061481	92102-0000006203	BEARING (6203)	1	ZS/BK110 [E8-3] 轴承(6203)
4	P061482	12130-G011-0102	PIPE ASSY	1	ZS/BK110 [E8-4] C100汽缸盖进气管总成(2x10.5x10.5mm 5# 5# 5# 5#)
5	P061483	91521-10001400000	PIN 10x14	2	ZS/BK110 [E8-5] CG125固定定位销10x14
6	P061484	B166740A06006070X	BOLT M6x60	3	ZS/BK110 [E8-6] GB16674小扁螺栓M6x60(白锌)
7	P061485	11003-D002-00000X	CLIP, HIGH VOLTAGE WIRE	1	ZS/BK110 [E8-7] 70高压线固定夹(兰白锌)
8	P061486	B166740A06004570X	BOLT M6x45	1	ZS/BK110 [E8-8] GB16674小扁螺栓M6x45(白锌)
9	P061487	90303-D002-0000	OIL SEAL 17x29x5	1	ZS/BK110 [E8-9] 70副轴油封17x29x5(丁腈胶)
10	P061488	B166740A06006570X	BOLT M6x65	2	ZS/BK110 [E8-10] GB16674小扁螺栓M6x65(白锌)
11	P061489	90301-D002-0000	OIL-SEAL 11.6x24x10	1	ZS/BK110 [E8-11] 70副轴油封11.6x24x10(丁腈胶)
12	P061490	90101-0080000180	O-RING 8x1.8	1	ZS/BK110 [E8-12] C100离合器油封O型圈8x1.8(丁腈胶)
13	P061491	91521-09001200063	PIN 8x12x6.3	1	ZS/BK110 [E8-13] 70定位销8x12x6.3
14	P061492	1212B-D083-000089	LEFT CRANKCASE BLOCK	1	ZS/BK110 [E8-14] BK70左曲轴箱组合(配 8891)

RIGHT CRANKCASE

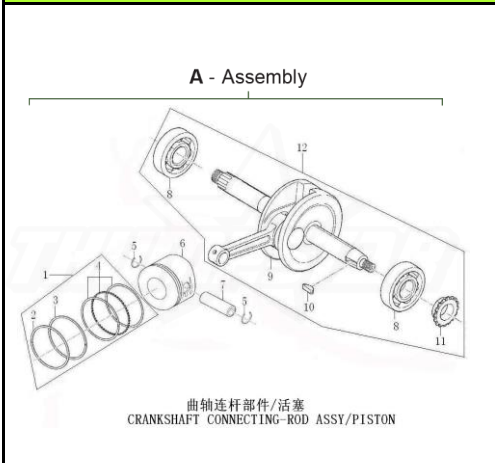
A - Assembly



右曲轴箱  
RIGHT CRANKCASE

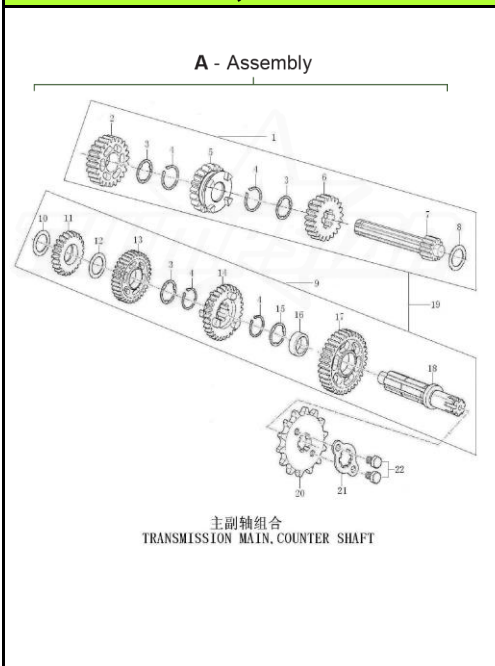
POS.	PART NO	ERP CODE	ENGLISH NAME	QTY	NAME
A	TS0077		Complete Assembly		
1	P061493	92102-0NK13.5x22x12	NEEDLE BEARING(NK13.5x22x12)	1	ZS/BK110 [E9-1] 滚针轴承(NK13.5x22x12)
2	P061494	92102-0000006203	BEARING (6203)	1	ZS/BK110 [E9-2] 轴承(6203)
3	P061495	90208-D002-0000	GASKET,CRANKCASE	1	ZS/BK110 [E9-3] 70曲轴箱密封垫
4	P061496	1222B-D083-000089	RIGHT CRANKCASE BLOCK	1	ZS/BK110 [E9-4] BK70右曲轴箱组合(8801)
5	P061497	91102-G011-0000	CYLINDER STUD BOLT B	2	ZS/BK110 [E9-5] C100气缸缸头螺栓B(195.5mm)
6	P061498	93301-71242020000	WASHER 12.4x2x20	1	ZS/BK110 [E9-6] CG125D放油碟碟面垫圈12.4x2x20
7	P061499	91103-1008-00000X	OIL DRAIN PLUG	1	ZS/BK110 [E9-7] CG125D放油碟碟盖(兰白锌)

**CRANKSHAFT CONNECTING-ROD ASS/PISTON**



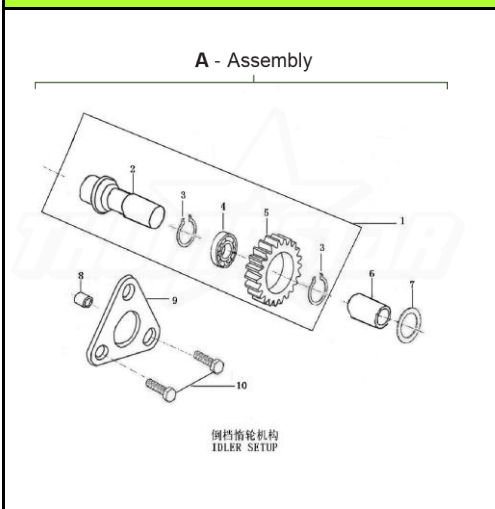
POS.	PART NO	ERP CODE	ENGLISH NAME	QTY	NAME
A	TS0078		Complete Assembly		
1	P061500	1310A-I015-0000	PISTON RING COMP	1	ZS/BK110 [E10-1] GY6活塞环总成
2	P061501	13103-I015-0000	PISTON RING 1	1	ZS/BK110 [E10-2] GY6活塞环一
3	P061502	13104-I015-0000	PISTON RING 2	1	ZS/BK110 [E10-3] GY6活塞环二
4	P061503	13120-I015-0000	OIL RING ASSY	1	ZS/BK110 [E10-4] GY6油环组合
5	P061504	91401-D002-0000	CHECK RING, PISTON PIN	2	ZS/BK110 [E10-5] 70活塞销挡圈
6	P061505	13101-H020-0000	PISTON	1	ZS/BK110 [E10-6] L110活塞
7	P061506	13102-H020-0000	PIN PISTON	1	ZS/BK110 [E10-7] L110活塞销
8	P061507	92102-0000006304	BEARING (6304)	2	ZS/BK110 [E10-8] 轴承(6304)
9	P061508	13220-G001-0000	CONNECTING ROD COMP 3	1	ZS/BK110 [E10-9] 100曲轴连杆部件(无轴承-半副轴-主动轴)
10	P061509	91601-D002-0000	SEMICIRCULAR KEY	1	ZS/BK110 [E10-10] 70半圆键4x12.5
11	P061510	13222-D002-0000	HUB DUMP CHAIN SPROCKET	1	ZS/BK110 [E10-11] 70定时主动链轮(14齿)
12	P061511	1320B-G001-0000	CRANKSHAFT CONNECTING-ROD ASSY	1	ZS/BK110 [E10-12] 100曲轴连杆部件

**TRANSMISSION MAIN, COUNTER SHAFT**



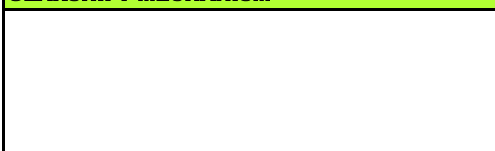
POS.	PART NO	ERP CODE	ENGLISH NAME	QTY	NAME
A	TS0079		Complete Assembly		
1	P061512	23220-D002-0000	MAIN SHAFT, TRANSMISSION	1	ZS/BK110 [E11-1] 70主轴组合
2	P061513	23222-D002-0004	GEAR M-4	1	ZS/BK110 [E11-2] 70主轴4档齿轮
3	P061514	23223-D002-0000	WASHER	3	ZS/BK110 [E11-3] 70主副轴齿圈隔圈15.9(17.2)x1.2x21
4	P061515	23226-D002-0000	CIRCLIP	4	ZS/BK110 [E11-4] 70主轴齿圈卡圈
5	P061516	23222-D002-0003	GEAR M-3	1	ZS/BK110 [E11-5] 70主轴3档齿轮
6	P061517	23222-D002-0002	GEAR M-2	1	ZS/BK110 [E11-6] 70主轴2档齿轮
7	P061518	23221-D002-0000	TRANSMISSION MAIN SHAFT	1	ZS/BK110 [E11-7] 70主轴芯轴
8	P061519	93301-E1420526000	WASHER 14.2x0.5x26	1	ZS/BK110 [E11-8] 70主轴止推垫圈 14.2x0.5x26
9	P061520	23240-D002-0000	COUNTERSHAFT TRANSMISSION	1	ZS/BK110 [E11-9] 70副轴组合
10	P061521	93301-51370526000	WASHER 13.7x0.5x26	1	ZS/BK110 [E11-10] 70主副轴垫圈13.7x0.5x26
11	P061522	23242-D002-0004	GEAR C-4	1	ZS/BK110 [E11-11] 70副轴4档齿轮
12	P061523	93301-51721026000	WASHER 17.2x1.0x26	1	ZS/BK110 [E11-12] 70副轴垫圈17.2x1.0x26
13	P061524	23242-D002-0003	GEAR C-3	1	ZS/BK110 [E11-13] 70副轴3档齿轮
14	P061525	23242-D002-0002	GEAR C-2	1	ZS/BK110 [E11-14] 70副轴2档齿轮
15	P061526	23223-D002-0002	WASHER	1	ZS/BK110 [E11-15] 70副轴齿圈隔圈15.9(17.2)x1.2x23
16	P061527	23247-D002-0000	COLLAR	1	ZS/BK110 [E11-16] 70副轴齿圈轴套
17	P061528	23242-D002-0001	GEAR C-1	1	ZS/BK110 [E11-17] 70副轴1档齿轮
18	P061529	23241-D002-0000	TRANSMISSION COUNTER SHAFT	1	ZS/BK110 [E11-18] 70副轴芯轴
19	P061530	23200-D002-0000	TRANSMISSION MAIN, COUNTER SHAFT	1	ZS/BK110 [E11-19] 70主副轴组合(普通状态)
20	P061531	23401-G011-0000	DRIVE SPROCKET	1	ZS/BK110 [E11-20] C100主动链轮(428.14)
21	P061532	23402-D002-0000	FIXING PLATE, DRIVE SPROCKET	1	ZS/BK110 [E11-21] 70主动链轮固定板
22	P061533	B057830006001070B	BOLT M6x10	2	ZS/BK110 [E11-22] GB5783螺栓M6x10(自钻)

**KICK START SHAFT ASSEMBLY**



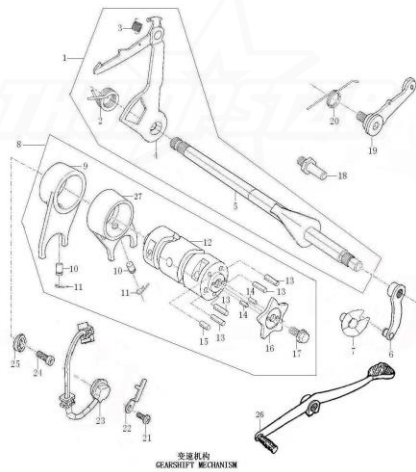
POS.	PART NO	ERP CODE	ENGLISH NAME	QTY	NAME
A	TS0080		Complete Assembly		
1	P061534	21100-D002-0001	KICK STARTING SHAFT ASSEMBLY	1	ZS/BK110 [E12-1] 70启动轴总成(199.5)
2	P061535	91402-D002-0000	CIRCLI φ15.5x1.2φ19	1	ZS/BK110 [E12-2] 70启动轴挡圈φ15.5x1.2φ19
3	P061536	21104-D002-0000	SEAT, SPRING, KICK STARTING SHAFT	1	ZS/BK110 [E12-3] 70启动轴弹簧座
4	P061537	21106-D002-0000	RETURN SPRING, KICK STARTING SHAFT	1	ZS/BK110 [E12-4] 70启动轴复位弹簧
5	P061538	93301-61721024000	WASHER 17.2x1.0x24	1	ZS/BK110 [E12-5] 70启动轴垫圈17.2x1.0x24
6	P061539	91402-D002-0100	CIRCLI φ18.5x1.2φ22.1	2	ZS/BK110 [E12-6] 70启动轴挡圈φ18.5x1.2φ22.1
7	P061540	21122-D002-0000	SPRING SUPPORT	1	ZS/BK110 [E12-7] 70弹簧承座
8	P061541	21119-D002-0000	SPRINGS, KICK STARTING RATCHET WHEEL	1	ZS/BK110 [E12-8] 70启动棘轮弹簧
9	P061542	21118-D002-0000	STARTING RATCHET	1	ZS/BK110 [E12-9] 70启动棘轮
10	P061543	93301-62021027000	WASHER 20.2x1.0x27	1	ZS/BK110 [E12-10] 70启动轴垫圈20.2x1.0x27
11	P061544	21117-D002-0000	GEAR, KICK STARTER	1	ZS/BK110 [E12-11] 70启动轴齿轮
12	P061545	21107-D002-0001	PIVOT, KICK STARTING SHAFT	1	ZS/BK110 [E12-12] 70启动轴芯轴(199.5)
13	P061546	B057830006002070B	BOLT M6x20	2	ZS/BK110 [E12-13] GB5783螺栓M6x20(自钻)
14	P061547	21108-D002-0000	SPACE, RATCHET WHEEL	1	ZS/BK110 [E12-14] 70启动轴定位板
15	P061548	21200-F004-0002	START-UP BAR COMP	1	ZS/BK110 [E12-15] 90启动杆部件(QD-2)

**GEARSHIFT MECHANISM**



POS.	PART NO	ERP CODE	ENGLISH NAME	QTY	NAME
A	TS0081		Complete Assembly		
1	P061549	24300-G030-0000	GEARSHIFT LEVER COMP	1	ZS/BK110 [E13-1] BK100换挡杆部件(232mm 自动挡杆总成)
2	P061550	24302-G031-0000	RETURN SPRING	1	ZS/BK110 [E13-2] Z100换挡回位弹簧
3	P061551	24318-D002-0000	GEARSHIFT LEVER TENSION SPRING	1	ZS/BK110 [E13-3] 70换挡臂拉簧
4	P061552	2432A-G031-0000	LIMIT SCREW	1	ZS/BK110 [E13-4] Z100换挡臂限位组合(自动挡杆)
5	P061553	24301-G030-0000	GEARSHIFT SHAFT COMP	1	ZS/BK110 [E13-5] BK100换挡轴轴组合(自动挡杆杆系 232)

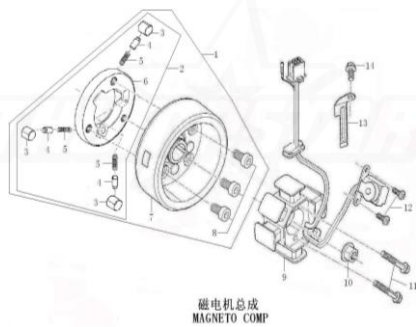
A - Assembly



6	P061554	2242A-G031-0000	CONTROLLING ARM ASSEMBLY, CLUTCH	1	ZS/BK110 [E13-6] Z100离合器操纵臂组合
7	P061555	2245A-G031-0000	CAM PLATE ASSEMBLY, CLUTCH	1	ZS/BK110 [E13-7] Z100离合器凸轮板组合
8	P061556	24200-D002-0100	GEARSHIFT DRUM COMP	1	ZS/BK110 [E13-8] 70变速鼓部件(四档循环)
9	P061557	24101-D002-0000	GEARSHIFT FORK	2	ZS/BK110 [E13-9] 70变速拨叉
10	P061558	24102-D002-0000	GUIDE PIN	2	ZS/BK110 [E13-10] 70导向销
11	P061559	24103-D002-0000	CLIP, SPRING	2	ZS/BK110 [E13-11] 70弹簧夹
12	P061560	24213-D002-0000	GEARSHIFT DRUM	1	ZS/BK110 [E13-12] 70变速鼓(四档循环)
13	P061561	91522-04001300000	PIN 4x13	5	ZS/BK110 [E13-13] 70变速鼓圆柱销4x13
14	P061562	24212-D002-0000	SHIFT DRUM LOCATING PLATE GROUP	1	ZS/BK110 [E13-14] 70变速鼓定位盘
15	P061563	B008200006002020B	SCREW M6x20	1	ZS/BK110 [E13-15] GB820螺钉M6x20(自钻)
16	P061564	91117-D002-0000	BOLT, RETURN SPRINGN FIXING 8x11	1	ZS/BK110 [E13-16] 70回程弹簧定位螺栓8x11
17	P061565	91115-D002-0000	BOLT FIXING PLATE	1	ZS/BK110 [E13-17] 70档位定位板螺栓
18	P061566	2434A-D002-0000	LOCATING PLATE ASSY	1	ZS/BK110 [E13-18] 70定位板组合
19	P061567	24304-D002-0000	SPRING ,LOCATING PLATE	1	ZS/BK110 [E13-19] 70定位板弹簧
20	P061568	B008230006001220B	SCREW M6x12	1	ZS/BK110 [E13-20] GB823螺钉M6x12(自钻)
21	P061569	88002-G011-0001	GEARSHIFT SWITCH PRESSING PLATE	1	ZS/BK110 [E13-21] C100档位开关固定板(长压板)
22	P061570	8803B-G011-010034	GEARSHIFT SWITCH LAMP	1	ZS/BK110 [E13-22] C100档位开关组合(档板灯 L340)0004
23	P061571	91149-G011-00000C	SCREW	1	ZS/BK110 [E13-23] C100档显螺钉(彩钻)
24	P061572	88004-G011-0000	CONTACT, CEARINDICATION	1	ZS/BK110 [E13-24] C100档显启动触头
25	P061573	24400-D083-0051	GEARSHIFT SHAFT	1	ZS/BK110 [E13-25] BK70变速鼓轴部件(8T-51)

MAGNETO COMP

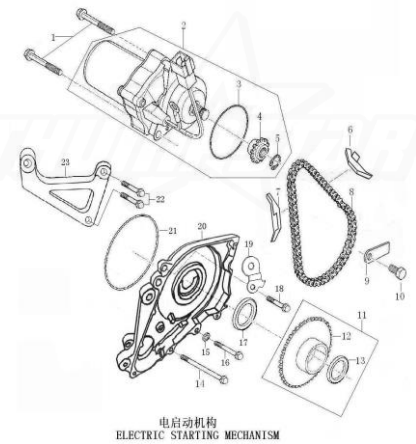
A - Assembly



POS.	PART NO	ERP CODE	ENGLISH NAME	QTY	NAME
A	TS0082		Complete Assembly		
1	P061574	82130-G011-0211	ROTOR ASSY,MAGNETO	1	ZS/BK110 [E14-1] C100磁电机转子组合(12V6极磁电机)
2	P061575	21300-G011-0002	ASSEMBLY, OVERRUNNING CLUTCH	1	ZS/BK110 [E14-2] C100-3#超越离合器部件(总成)
3	P061576	21304-G011-0000	CLUTCH ROLLER	3	ZS/BK110 [E14-3] C100启动离合器滚柱
4	P061577	21305-G011-0000	CONE BILOCKAGE	3	ZS/BK110 [E14-4] C100启动离合器弹簧套/压环
5	P061578	21303-G011-0000	SPRING	3	ZS/BK110 [E14-5] C100启动离合器滚柱弹簧
6	P061579	21301-G011-0100	STARTING CLUTCH BODY	1	ZS/BK110 [E14-6] C100-3#超越离合器本体组合(总成)
7	P061580	82130-G011-0201	ROTOR ASSY,MAGNETO	1	ZS/BK110 [E14-7] C100磁电机转子组合(12V6极磁电机) 无超越离合器滚柱(12V6极)
8	P061581	B000700108001570C	SCREW M8x15	3	ZS/BK110 [E14-8] GB70.1螺钉M8x15(彩钻)
9	P061582	82120-G011-030534	STATOR ASSY,MAGNETO	1	ZS/BK110 [E14-9] C100磁电机定子组合(12V6极) 无超越离合器滚柱 L340(磁口11)
10	P061583	91213-D002-00000X	NUT	1	ZS/BK110 [E14-10] 70磁电机螺母(兰白钻)
11	P061584	B166740A06001870B	BOLT M6x18	2	ZS/BK110 [E14-11] GB16674小直径螺栓M6x18(自钻)
12	P061585	B057830005001270B	BOLT M5x12	2	ZS/BK110 [E14-12] GB5783螺栓M5x12(自钻)
13	P061586	12305-D083-0000	FIXING PLATE, MAGNETO CABLE	1	ZS/BK110 [E14-13] BK70磁电机线夹
14	P061587	B166740A06001670B	BOLT M6x16	1	ZS/BK110 [E14-14] GB16674小直径螺栓M6x16(自钻)

ELECTRIC STARTING MECHANISM

A - Assembly



POS.	PART NO	ERP CODE	ENGLISH NAME	QTY	NAME
A	TS0083		Complete Assembly		
1	P061588	B166740A06003270X	BOLT M6x32	2	ZS/BK110 [E15-1] GB16674小直径螺栓M6x32(兰白钻)
2	P061589	82200-D083-000151	STARTING MOTOR ASSY	1	ZS/BK110 [E15-2] BK70启动电机总成(含离合器) 无离合器 带离合器(12V)
3	P061590	90101-10330000200	O-RING 33x2	1	ZS/BK110 [E15-3] BK70启动电机O形密封圈33x2(丁腈胶)
4	P061591	82201-G011-0000	SPROCKET	1	ZS/BK110 [E15-4] C100启动电机小链轮
5	P061592	B0089401110000000	CIRCLIP 11	1	ZS/BK110 [E15-5] GB894.1挡圈11
6	P061593	2144B-D083-0000	ASSEMBLY, GUIDE PLATE	1	ZS/BK110 [E15-6] BK70链条导板组合
7	P061594	2143B-D083-0000	ASSEMBLY, CHAIN PROTECT PLATE	1	ZS/BK110 [E15-7] BK70链条护板组合
8	P061595	2141B-IA29-0000	STARTING MOTOR DRIVE CHAIN	1	ZS/BK110 [E15-8] S125D启动链条组合(82节加脚)
9	P061596	21407-G011-0000	PLATE, START CLUTCH	1	ZS/BK110 [E15-9] C100启动链轮定位板
10	P061597	B057830006001270B	BOLT M6x12	1	ZS/BK110 [E15-10] GB5783螺栓M6x12(自钻)
11	P061598	21420-D083-0000	PLATE GEAR ASSY	1	ZS/BK110 [E15-11] BK70启动大链轮组件
12	P061599	2142A-D083-0000	PLATE GEAR ASSY	1	ZS/BK110 [E15-12] BK70启动大链轮组合
13	P061600	90309-G011-0000	OIL SEAL 19x30x5	1	ZS/BK110 [E15-13] C100链轮油封19x30x5(丁腈胶)
14	P061601	B166740A06010570X	BOLT M6x105	1	ZS/BK110 [E15-14] GB16674小直径螺栓M6x105(兰白钻)
15	P061602	93301-70621513000	WASHER 6.2x1.5x13	1	ZS/BK110 [E15-15] 70张紧衬注铝铝垫圈6.2x1.5x13
16	P061603	B166740A06003570X	BOLT M6x35	1	ZS/BK110 [E15-16] GB16674小直径螺栓M6x35(兰白钻)
17	P061604	90308-G011-0000	OIL SEAL 30x42x4.5	1	ZS/BK110 [E15-17] C100定子油封30x42x4.5(丁腈胶)
18	P061605	B166740A06002570X	BOLT M6x25	1	ZS/BK110 [E15-18] GB16674小直径螺栓M6x25(兰白钻)
19	P061606	12327-D083-00000X	SUPPORTING CLIP	1	ZS/BK110 [E15-19] BK70左前盖支撑夹(兰白钻)
20	P061607	21408-D083-000089	LOWER PAN, OIL INSULATING	1	ZS/BK110 [E15-20] BK70隔油下盘盖(8801)
21	P061608	90101-21068000200	O-RING 106.8x2	1	ZS/BK110 [E15-21] C100隔油O形圈106.8x2(氟橡胶)
22	P061609	B166740A08003070B	BOLT M8x30	2	ZS/BK110 [E15-22] GB16674小直径螺栓M8x30(自钻)
23	P061610	12318-D083-0000	FRONT BRACKET	1	ZS/BK110 [E15-23] BK70前盖支架(三角支架)

