

DAYTONA

ANIMA 190FDX ENGINE

Owner's Manual

ANIMA 190FDX
--- *Four-Valve Head Engine* ---

ENGLISH MANUAL SECTION

Page 2 - 25

PARTS CATALOGUE SECTION

Page 26 - 36

CATALOGUE DES PIECES DATAHEES

Page 26 - 36



DAYTONA corp.

ANIMA 190FDX ENGINE

Owner's Manual



INTRODUCTION

Thank you for purchasing of a ANIMA 190FDX Engine.

This manual explains operation, inspection, basic maintenance and tuning of the engine.

If you have any questions, please contact the dealer you purchased the engine/bike from.

Please read this manual very carefully before use.



WARNING

1. ANIMA 150f ENGINE is designed strictly FOR COMPETITION USE, ONLY ON A CLOSED COURSE. It is illegal to use this engine on any public road or highway. Off-road use on public space is also illegal.
Please check local regulation before use.
2. This engine is to be used by EXPERIENCED RIDERS ONLY.
Fatal accident may be caused unless it is used by experienced riders or maintained by professional and experienced mechanics.
3. This engine is to be maintained by professional and experienced mechanics.
Serious damage may occur, otherwise.
4. This manual explains ONLY THE BASIC operation, inspection, maintenance and tuning, but it is customer's responsibility to maintain the engine to the best possible performance, depending on the circumstances of the time.

ANIMA 190FDX ENGINE

Owner's Manual

CUSTOMER'S RESPONSIBILITY & CUSTOMER SERVICE

GENERAL EXCLUSIONS

Any failures caused by the following reasons are NOT considered as the defects of Products.

- (1) Overheating due to improper engine oil temp. control



WARNING

ENGINE OIL TEMPERATURE MUST BE CONTROLLED AT 90 DEGREES CELSIUS (194 DEGREES FAHRENHEIT) OR LOWER.

Serious damage will occur in the engine if engine oil temperature exceeds 90 degrees Celsius or 194 degrees Fahrenheit.

It is solely customer's responsibility to control the engine oil temperature.

- (2) Installation of parts or accessories that is not originally equipped on Products.
This includes DAYTONA UPGRADE KIT PARTS as well, since those are designed for the top competition riders.
- (3) Abnormal strain, neglect, or abuse
- (4) Accident or collision damage
- (5) Modification to original parts
- (6) Lack of proper maintenance
- (7) Damage due to improper transportation or use

THE CUSTOMER'S RESPONSIBILITY

THE CUSTOMER'S RESPONSIBILITY shall be :

- (1) Operate and maintain Products as specified in the appropriate Owner's Manual

CUSTOMER SERVICE

If Products require services, you must take it to the authorized dealer, who is appointed by authorized local distributors of DAYTONA.

DAYTONA Corp. JAPAN is NOT in the position to take care of services of any kind with the customers or authorized dealers due to the contract with authorized local distributors.

ANIMA 190FDX ENGINE

Owner's Manual

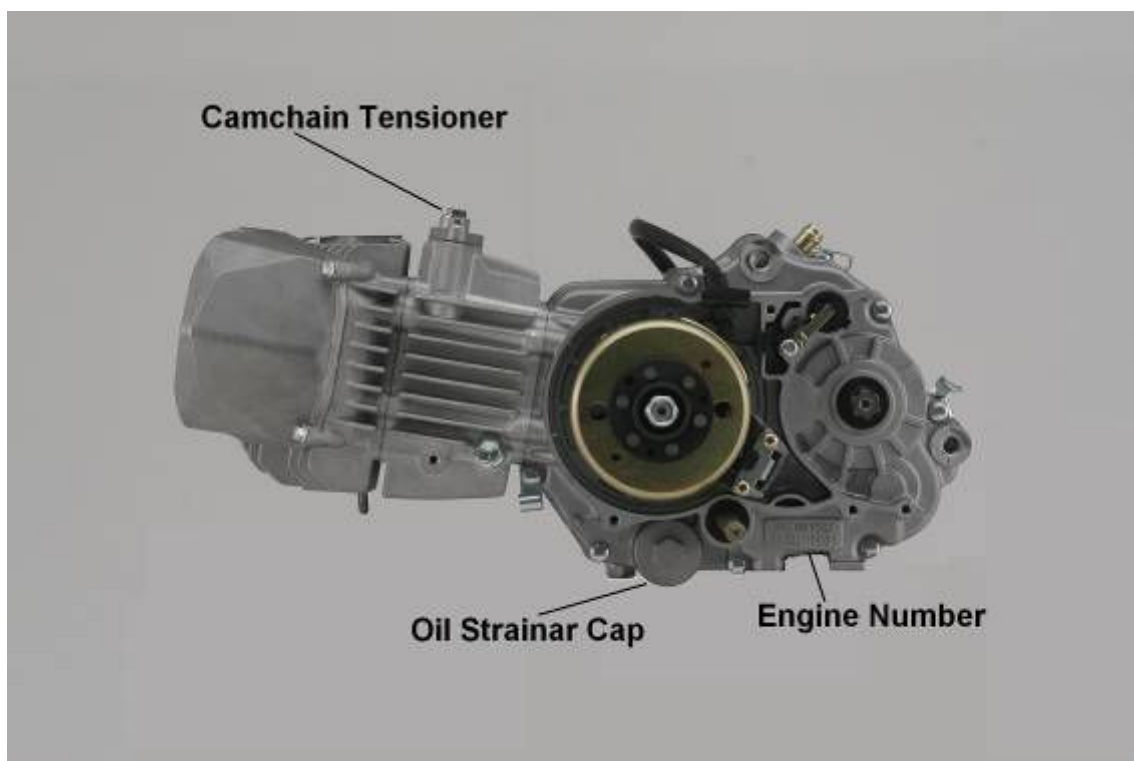
CONTENTS

INTRODUCTION	Page 2
CUSTOMER'S RESPONSIBILITY & CUSTOMER SERVICE	Page 3
CONTENTS	Page 4
PART NAMES	Page 5
GENERAL SPECIFICATIONS	Page 6
MAINTENANCE SPECIFICATIONS	Page 7 – 10
MAINTENANCE INTERVALS	Page 11 - 13
PRE-OPERATION INSPECTION AND MAINTENANCE	Page 14
ENGINE OIL LEVEL INSPECTION	Page 14
CARBURETOR SETTING	Page 15 - 17
IGNITION TIMING SELECTION	Page 18
REV LIMITER SELECTION	Page 19
ENGINE OIL TEMPERATURE CONTROL	Page 20
ELECTRICAL DIAGRAM	Page 21
OPTIONAL PARTS	Page 22 - 25
PARTS CATALOGUE	Page 26 – 36

ANIMA 190FDX ENGINE

Owner's Manual

PART NAMES



ANIMA 190FDX ENGINE

Owner's Manual

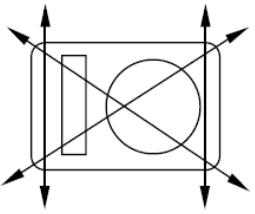
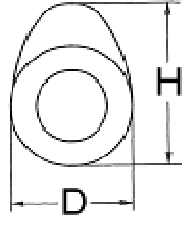
GENERAL SPECIFICATIONS

ENGINE	
Engine Weight (Dry)	21.5 kg
Engine type	Air Cooled 4-stroke SOHC
Cylinder arrangement	Single cylinder, Horizontally mounted
Displacement (ANIMA150f)	187.18 cm ³
Bore × stroke (ANIMA150f)	62.0 × 62.0 mm (2.441 × 2.441 in)
Compression ratio	12.1 : 1
Starting system	Kick (Kick pedal is NOT included in the Engine Kit) With Auto Decompression System
Lubrication system	Wet sump
Recommended Engine Oil	SAE 10W-40 or higher grade API "SG" or higher grade
Engine oil capacity	
Periodic oil change	0.60 L
With oil filter replacement	0.65 L
Total amount	0.70 L
	* Need more amount of oil when oil cooler is in use
Spark plug	
Type/manufacturer	ER9EH / NGK (resistance type)
Gap	0.6 ~ 0.7 mm (0.024 ~ 0.028 in)
Clutch type	Wet, Multi-plate 6-disc
Transmission	
Primary reduction system	Gear
Primary reduction ratio	67/18 (3.722)
Transmission type	4-Speed
Gear ratio	(Counter / Main)
1st	34/13 (2.6153)
2nd	26/15 (1.7333)
3rd	26/20 (1.3000)
4 th	24/23 (1.0435)
GEAR SHIFT PATTERN	N-1-2-3-4
Electrical	
Ignition system	AC-CDI
Generator system	AC magneto

ANIMA 190FDX ENGINE

Owner's Manual

MAINTENANCE SPECIFICATIONS

Item	Standard	Limit
Cylinder head Warp limit 	----	0.05 mm (0.002 in)
Cylinder: Bore size Out of round limit	62.00 - 62.015mm (2.4409 – 2.4415) ----	---- 0.05 mm (0.002 in)
Camshaft: Drive method Cam dimensions 	Chain drive (Left)	----
Intake	“H” 30.18 ~ 30.30 mm (1.1882 ~ 1.1929 in) “D” ---- ----	29.84 mm (1.1748 in) ---- ----
Exhaust	“H” 30.21 ~ 30.33 mm (1.1894 ~ 1.1941 in) “D” ---- ----	29.87 mm (1.1760 in) ---- ----

ANIMA 190FDX ENGINE

Owner's Manual

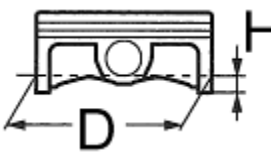
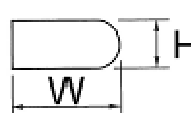
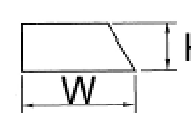

MAINTENANCE SPECIFICATIONS

Item	Standard	Limit
Timing chain:		
Timing chain No. of links	94 link	----
Timing chain adjustment method	Automatic	----
Valve, valve seat, valve guide:		
Valve clearance (cold) IN	0.05 ~ 0.07 mm (0.0020~ 0.0028 in)	----
EX	0.05 ~ 0.07 mm (0.0020~ 0.0028 in)	----
Valve dimensions:		
“A” head diameter IN	24.4 ~ 24.6 mm (0.9606 ~ 0.9685 in)	----
EX	20.9 ~ 21.1 mm (0.8228 ~ 0.8307 in)	----
“B” face width IN	---	----
EX	---	----
“C” seat width IN	0.8 ~ 1.0 mm (0.0314 ~ 0.03937 in)	1.6 mm (0.0630 in)
EX	0.8 ~ 1.0 mm (0.0314 ~ 0.03937 in)	1.6 mm (0.0630 in)
“D” margin thickness IN	----	----
EX	----	----
Stem outside diameter IN	4.470 ~ 4.485 mm(0.17598 ~ 0.1766 in)	4.42 mm (0.1740 in)
EX	4.470 ~ 4.485 mm(0.17598 ~ 0.1766 in)	4.42 mm (0.1740 in)
Guide inside diameter IN	4.500 ~ 4.512 mm(0.17716 ~ 0.1776 in)	4.55 mm(0.1791 in)
EX	4.500 ~ 4.512 mm(0.17716 ~ 0.1776 in)	4.55 mm(0.1791 in)
Stem-to-guide clearance IN	0.015 ~ 0.042 mm(0.0005 ~ 0.0016 in)	0.08 mm(0.003 in)
EX	0.03 ~ 0.057 mm(0.0011 ~ 0.0022 in)	0.10 mm(0.004 in)
Valve spring:		
Free length		
IN (φ 16.2)	42.59 mm(1.6767 in)	40.38 mm(1.5897 in)
EX (φ 16.2)	42.59 mm(1.6767 in)	40.38 mm(1.5897 in)

ANIMA 190FDX ENGINE

Owner's Manual

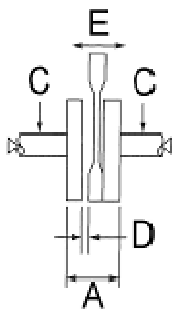
MAINTENANCE SPECIFICATIONS

Item	Standard	Limit
Piston: Piston to cylinder clearance Piston size "D"  Measuring point "H" Piston off-set Piston pin bore inside diameter Piston pin outside diameter	0.01 ~ 0.04 mm (0.00039 ~ 0.00157in) 61.975 ~ 61.99 mm (2.4399 ~ 2.4405 in) 8 mm (0.31 in) ---- 14.002 ~ 14.013 mm (0.5513 ~ 0.5517 in) 13.995 ~ 13.998 mm (0.5510 ~ 0.5511 in)	0.1mm(0.004 in) ---- ---- 14.06 mm (0.5535 in) 13.97 mm (0.55 in)
Piston rings:  Top ring: Dimensions (H × W) End gap (installed) Side clearance (installed)  2nd ring: Dimensions (H × W) End gap (installed) Side clearance  Oil ring: Dimensions (H × W) End gap (installed)	 0.8 × 2.25 mm (0.06 × 0.09 in) 0.05 ~ 0.20 mm (0.006 ~ 0.010 in) 0.015 ~ 0.045 mm(0.0012 ~ 0.0026in) 0.8 × 2.25 mm (0.06 × 0.09 in) 0.05 ~ 0.20 mm (0.006 ~ 0.010 in) 0.015 ~ 0.045 mm(0.0012 ~ 0.0026in)	 0.4 mm (0.020 in) 0.10 mm (0.005 in) 0.4 mm (0.031 in) 0.10 mm (0.005 in) ---- 0.9 mm (0.005 in)

ANIMA 190FDX ENGINE

Owner's Manual

MAINTENANCE SPECIFICATIONS

Item	Standard	Limit
Crankshaft: Crank width "A" Runout limit "C" Big end side clearance "D" Small end free play "E" <div style="text-align: center;">  </div>	42.2 mm (1.66142 in) 0.03 (one-side) 0.1 ~ 0.35 mm (0.0039 ~ 0.0137 in) ----	---- 0.1 mm (0.0039 in) 0.6 mm (0.0236 in) ----
Clutch: Friction plate thickness Quantity Clutch plate thickness Quantity Warp limit Clutch spring free length Quantity	2.9 ~ 3.1 mm (0.114 ~ 0.122 in) 6 0.9 ~ 1.0 mm (0.043 ~ 0.051 in) 5 ---- ---- 4	2.7 mm (0.106 in) ---- 0.7 mm (0.0275 in) ---- 0.2 mm (0.0787 in) ---- ----

ANIMA 190FDX ENGINE

Owner's Manual

MAINTENANCE INTERVALS

Item	After break-in (50km)	Every race	Every third (or 500 km)	Every fifth (or 1,000 km)	As required	Remarks
ENGINE OIL Replace Inspect	●	●			●	
ENGINE VALVES Check the valve clearances Inspect Replace	●		● ●		●	The engine must be cold. Check the valve seats and valve stems for wear.
VALVE SPRINGS Inspect Replace			●		●	Check the free length and the tilt.
CAMSHAFTS Inspect Replace			●		●	Inspect the camshaft surface.
TIMING CHAIN SPROCKETS, TIMING CHAIN Inspect Replace			●		●	Check for wear on the teeth and for damage.
PISTON Inspect Clean Replace			●		● ● ●	Inspect crack Inspect carbon deposits and eliminate them.

ANIMA 190FDX ENGINE

Owner's Manual

MAINTENANCE INTERVALS

Item	After break-in (50km)	Every race	Every third (or 500 km)	Every fifth (or 1,000 km)	As required	Remarks
PISTON RING Inspect Replace			● ●		●	Check ring end gap
PISTON PIN Inspect Replace			●		●	
CYLINDER HEAD Inspect and clean Replace			●		●	Inspect carbon deposits and eliminate them. Change gasket
CYLINDER Inspect and clean Replace			●		●	Inspect score marks Inspect wear
CLUTCH Inspect and adjust Replace	●	●			●	Inspect housing, friction plate, clutch plate and spring
TRANSMISSION Inspect Replace				●	●	Inspect wear of gear and bearings
SHIFT FORK, SHIFT CAM, GUIDE BAR Inspect Replace				●	●	Inspect wear
ROTOR NUT Retighten	●			●		
CRANK Inspect and align				●	●	
CARBURETOR Inspect, adjust, clean	●	●				

ANIMA 190FDX ENGINE

Owner's Manual

MAINTENANCE INTERVALS

Item	After break- in (50km)	Every race	Every third (or 500 km)	Every fifth (or 1,000 km)	As requir e-ed	Remarks
SPARK PLUG Inspect and clean Replace	●		●		●	
OIL COOLING SYSTEM(Optional) Check hoses & leakage Replace hoses and gaskets	●	●			●	
AIR FILTER (Option) Clean and lubricate Replace	●	●			●	Use foam air-filter oil or equivalent oil
OIL FILTER Replace	●	●				
OIL STRAINER Clean				●		

ANIMA 190FDX ENGINE

Owner's Manual

PRE-OPERATION INSPECTION AND MAINTENANCE

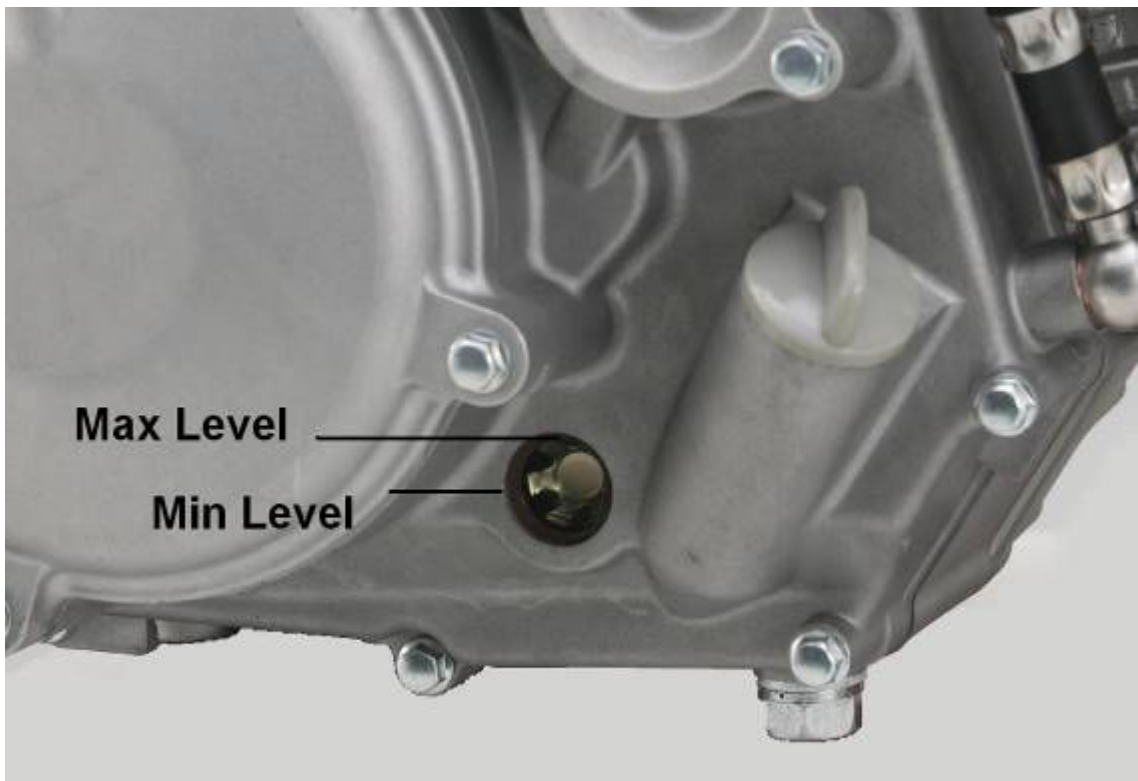
Before riding for break-in operation, practice or a race, make sure the engine is in good operating condition.

Before using this engine, check the following points.

ENGINE OIL LEVEL INSPECTION

1. Start the engine, warm it up for several minutes, and then turn off the engine and wait for a few minutes.
2. Place the bike on a level place and hold it up on upright position.
3. Check the oil level through the sight glass.

Oil level should be between the upper and the central point of the sight glass.



4. Add oil to proper level



WARNING

Add oil as necessary, when install the oil cooler.

ANIMA 190FDX ENGINE

Owner's Manual

PRE-OPERATION INSPECTION AND MAINTENANCE

CARBURETOR SETTING

The carburetor is extremely sensitive to foreign matter (dirt, sand, water, etc.).

During installation, do not allow foreign matter to get into the carburetor.

Always handle the carburetor and its components carefully. Even slight scratches, bends or damage to carburetor parts may prevent the carburetor from functioning correctly.

Carefully perform all servicing with the appropriate tools and without applying excessive force.

After installing the carburetor, check that the throttle operates correctly and opens and closes smoothly.

It is highly recommended that the carburetor setting is performed by an experienced mechanic to obtain the best possible performance.

Atmospheric conditions and carburetor settings

Air Temp.	Humidity	Air Pressure (Altitude)	Mixture	Setting
High	High	Low (High)	Richer	Leaner
Low	Low	High (Low)	Leaner	Richer

The air density (i.e., concentration of oxygen in the air) determines the richness or leanness of the air/fuel mixture. Therefore, refer to the above table for mixture settings.

That is:

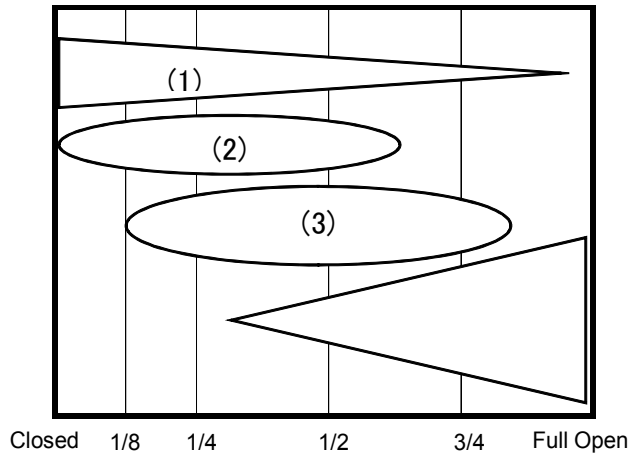
- Higher temperature expands the air with its resultant reduced density.
- Higher humidity reduces the amount of oxygen in the air by so much of the water vapor in the same air.
- Lower atmospheric pressure (at a high altitude) reduces the density of the air.

ANIMA 190FDX ENGINE

Owner's Manual

PRE-OPERATION INSPECTION AND MAINTENANCE

Effects of the setting parts on the throttle valve opening



- (1) Slow Jet / Pilot Screw
- (2) Throttle valve cutaway
- (3) Jet Needle / Needle Jet
- (4) Main Jet

Here is the recommended setting information of KEIHIN PWK33 and PE28 carburetor, for your reference.

Tested Conditions

Carburetor	KEIHIN PWK33
Air Temperature	20 degrees Celsius
Humidity	50%
Atmospheric Pressure	1000 hPa

Item	Recommendation
Main Jet	#125(with UNI Air Filter)
Slow Jet	#42
Throttle Valve	#6.0
Jet Needle	#86590 W956R-1175W(DAYTONA original) #86640 W956R-1171N Clip position : In the 2 nd or 3 rd groove from the top
Air screw	2 return

ANIMA 190FDX ENGINE

Owner's Manual

PRE-OPERATION INSPECTION AND MAINTENANCE

Carburetor	KEIHIN PE28
Air Temperature	20 degrees Celsius
Humidity	50%
Atmospheric Pressure	1000 hPa

Item	Recommendation
Main Jet	#125(with UNI Air Filter)
Slow Jet	#42
Throttle Valve	#3.0
Jet Needle	#69414 / 46JFQ (-2 / ϕ 2.505) Clip position : In the 3rd groove from the top
Air screw	2 return

ANIMA 190FDX ENGINE

Owner's Manual













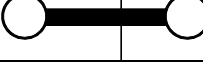


PRE-OPERATION INSPECTION AND MAINTENANCE

IGNITION TIMING SELECTION

ANIMA 190f ENGINE comes with ignition timing selectable CDI unit.

To change the ignition timing, it needs to change the connection of the wires that come out of the CDI unit.

WIRE CONNECTION TABLE

Color of Wire	WHITE	GREEN	YELLOW	GREEN	INGITION TIMING
Timing (1)					 REDUSE ADVANCE 
Timing (2)					
Timing (3)					
Timing (4)					
 WARNING USE ADVANCE TIMING GIVES HIGH TEMPERATURE TO ENGINE. SERIOUS DAMAGE WILL OCCURE IN THE ENGINE BY ABNORMAL COMBUSTION.					

Notes

- (a) Reduce Timing gives more torque at low-middle rpm level.
- (b) Advance Timing gives more torque at higher rpm level than the Reduce Timing.

Example (How to select)

* To select Timing (2), connect Yellow and Green wires.

ANIMA 190FDX ENGINE

Owner's Manual

PRE-OPERATION INSPECTION AND MAINTENANCE

REV LIMITER SELECTION

ANIMA 190f ENGINE comes with rev limiter selectable CDI unit.

To change the rev limiter, it needs to change the connection of the wires that come out of the CDI unit.

WIRE CONNECTION TABLE

Color of Wire	BLUE	GREEN	BLACK/ YELLOW	GREEN	GREEN/ WHITE
Rev Limiter (1) -11,500rpm	○	○	○	○	○
Rev Limiter (2) -12,200rpm	○	○	○	○	○
Rev Limiter (3) -12,900rpm	○	○	○	○	○
Rev Limiter (4) -13,600rpm	○	○	○	○	○
Rev Limiter (5) -15,000rpm	○	○	○	○	○

Example (How to select)

* To select Rev Limiter (3)-12,900rpm, connect Blue and Green wires.

ANIMA 190FDX ENGINE

Owner's Manual

PRE-OPERATION INSPECTION AND MAINTENANCE

ENGINE OIL TEMPERATURE CONTROL



WARNING

Engine oil temperature is to be strictly controlled at 90 degrees Celsius (194 degrees Fahrenheit) or lower.

Serious damage will occur in the engine if engine oil temperature exceeds 90 degrees Celsius or 194 degrees Fahrenheit.

It is solely customer's responsibility to control the engine oil temperature.

Any failures caused by overheating are NOT considered as the defects of Products.

It is highly recommended to use HIGH-EFFICIENT OIL COOLER and OIL TEMPERATURE GAUGE to protect the engine.



The above OIL COOLER is just a recommendation.

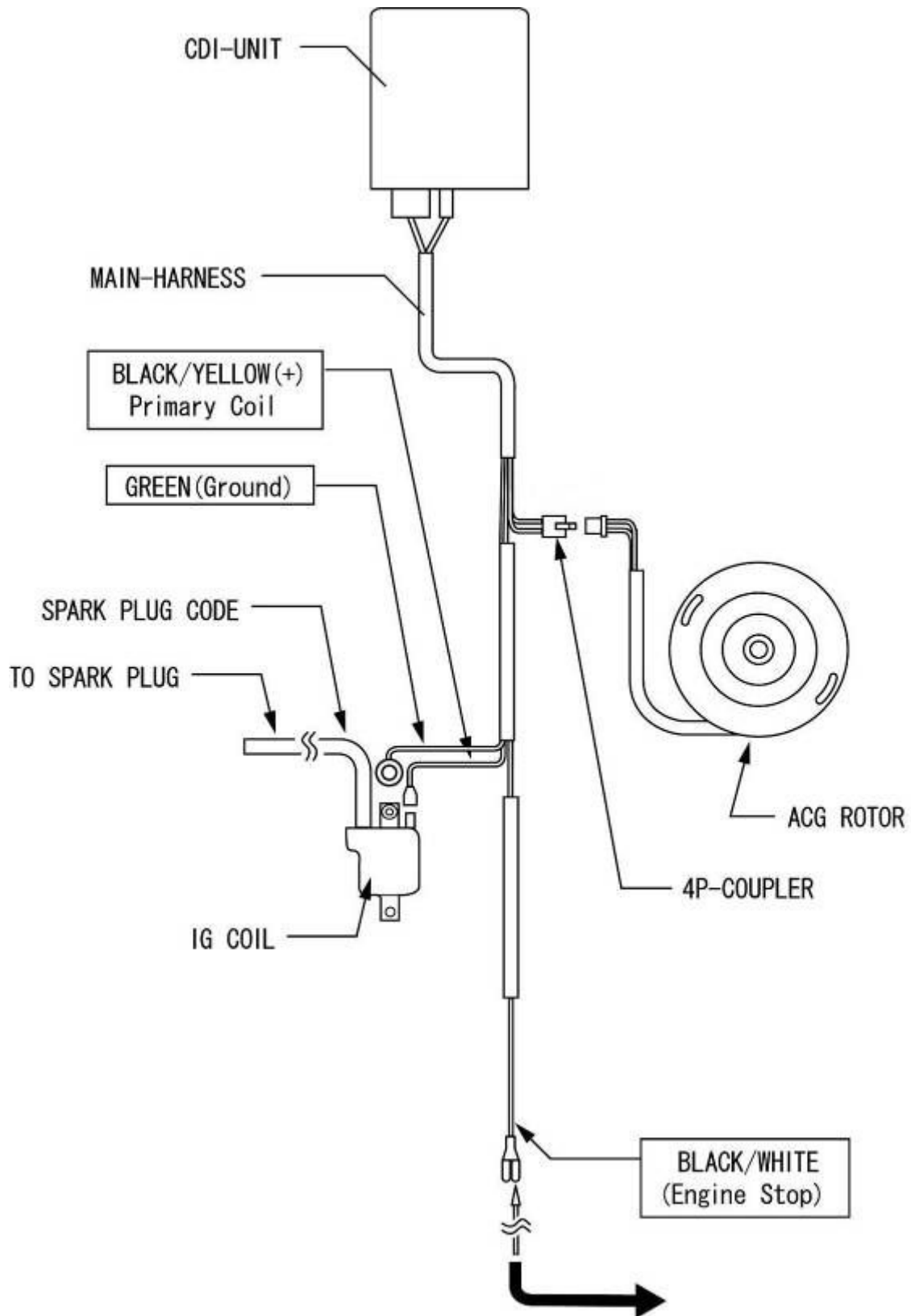
Engine oil temperature can be heated up over 90 degrees Celsius or 194 degrees Fahrenheit, even if the above recommended OIL COOLER is used.

Again, customer needs to control the oil temperature very carefully.

ANIMA 190FDX ENGINE

Owner's Manual

ELECTRICAL DIAGRAM



ANIMA 190FDX ENGINE

Owner's Manual

OPTIONAL PARTS

OIL COOLER

The following oil coolers are available from Daytona, but the mount bracket must be made by the customer to fit on his/her bike. The kit components are shown in the below photo.

Daytona Part# 74651

7-Core Oil Cooler Kit



Daytona Part# 64172

10-Core Oil Cooler Kit



OIL TEMPERATURE GAUGE & FITTING

The following temp. gauge and fitting are available from Daytona. The temp. gauge (#47101) can be used with the Daytona oil cooler (#61785) by using the Daytona sensor fitting (#43350).

Daytona Part# 85995

Temp. gauge & sensor, 0-270 degrees Celsius
PT1/8(Tapered Thread)-Sensor fitting



The following temp. gauge and fitting are available from Daytona. The temp. gauge (#85995) can be used with the Daytona oil cooler (#74019) by using the Daytona sensor fitting (#43350).

ANIMA 190FDX ENGINE

Owner's Manual

OPTIONAL PARTS

Daytona Part# 43350

Sensor fitting

For PT1/8(Tapered Thread) sensor

Designed for a 8mm inner dia. oil hoses



Daytona Part# 85018

Sensor fitting M12 x P1.5

(Oil Drain Bolt)

For PT1/8(Tapered Thread) sensor



REINFORCED CLUTCH FRICTION DISC

Daytona Part # 84749

Reinforced clutch friction disc, 1pc

Made by FCC JAPAN



ANIMA 190FDX ENGINE

Owner's Manual

OPTIONAL PARTS



Since these UPGRADE KIT PARTS are designed specifically for the top competition riders, ANY FAILURES CAUSED BY THE INSTALLATION OF THESE OPTIONAL PARTS ARE NOT CONSIDERED AS THE DEFECTS OF PRODUCTS.

CARBURETOR KEIHIN PWK33

Daytona Part # 86588

with **Throttle valve #6.0**

Keihin PWK33 Carburetor



CARBURETOR SETTING PARTS

JET NEEDLE for PWK33

#86590 / W956R-1175W

#86640 / W956R-1171N



CARBURETOR SETTING PARTS

Daytona Part # 31123

Main Jet Set (8 pcs/set) for Keihin

#115, 118, 120, 122, 125, 128, 130, & 132

Daytona Part # 31124

Main Jet Set (8 pcs/set) for Keihin

#128, 130, 132, 135, 138, 140, 142, & 145



Daytona Part # 69906

Slow Jet Set, 6pcs/set

Air bleed type

For Keihin PE & PWK

#35, 38, 40, 42, 45, & 48



ANIMA 190FDX ENGINE

Owner's Manual

OPTIONAL PARTS



Since these UPGRADE KIT PARTS are designed specifically for the top competition riders, ANY FAILURES CAUSED BY THE INSTALLATION OF THESE OPTIONAL PARTS ARE NOT CONSIDERED AS THE DEFECTS OF PRODUCTS.

CARBURETOR KEIHIN PE28

Daytona Part # 85707 (with Throttle valve #3.0)

Keihin PE28 Carburetor



CARBURETOR SETTING PARTS

Daytona Part # 31123

Main Jet Set (8 pcs/set) for Keihin
#115,118,120,122,125,128,130,&132

Daytona Part # 31124

Main Jet Set (8 pcs/set) for Keihin
#128,130,132,135,138,140,142,&145



Daytona Part # 69906

Slow Jet Set, 6pcs/set

Air bleed type

For Keihin PE & PWK

#35, 38, 40, 42, 45, & 48



ANIMA 190FDX ENGINE

Owner's Manual

OPTIONAL PARTS

Daytona Part # 65414

JET NEEDLE

#69359 / 46JFL (+2 / Diameter of straight ϕ 2.465 / RICH)

#69361 / 46JFM (+1 / ϕ 2.475)

#69374 / 46JFN (0 / ϕ 2.485)

#69376 / 46JFP (-1 / ϕ 2.495)

#69414 / 46JFQ (-2 / ϕ 2.505)

#69378 / 46JFR (-3 / ϕ 2.515)

#69380 / 46JFS (-4 / ϕ 2.525 / LEAN)



*Angle of taper = 3 deg (all)

* Height to taper = 26.77mm(all)

Daytona Part No.

Throttle valve / For PE28

65416 (# 2.0)

69353 (# 2.5)

69354 (# 3.0)

69355 (# 4.0)



ANIMA 190FDX ENGINE

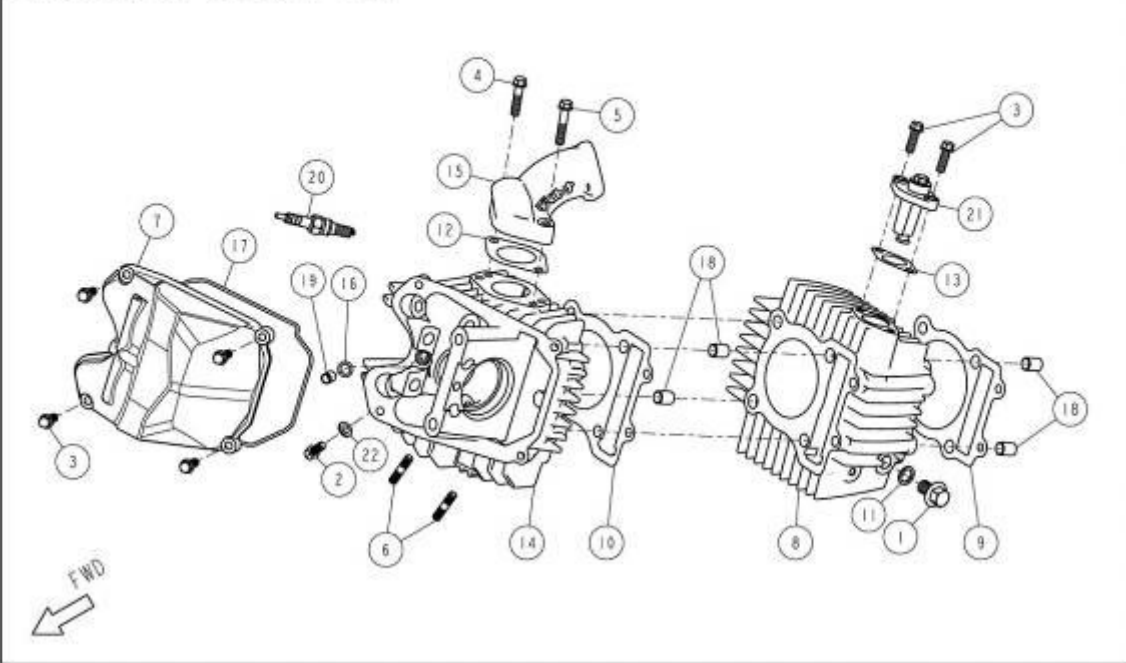
Owner's Manual

PARTS CATALOGUE (Engine No. ANIMA190FDX 000000001-)



REVISED DATE 19 January, 2012

01 HEAD / CYLINDER

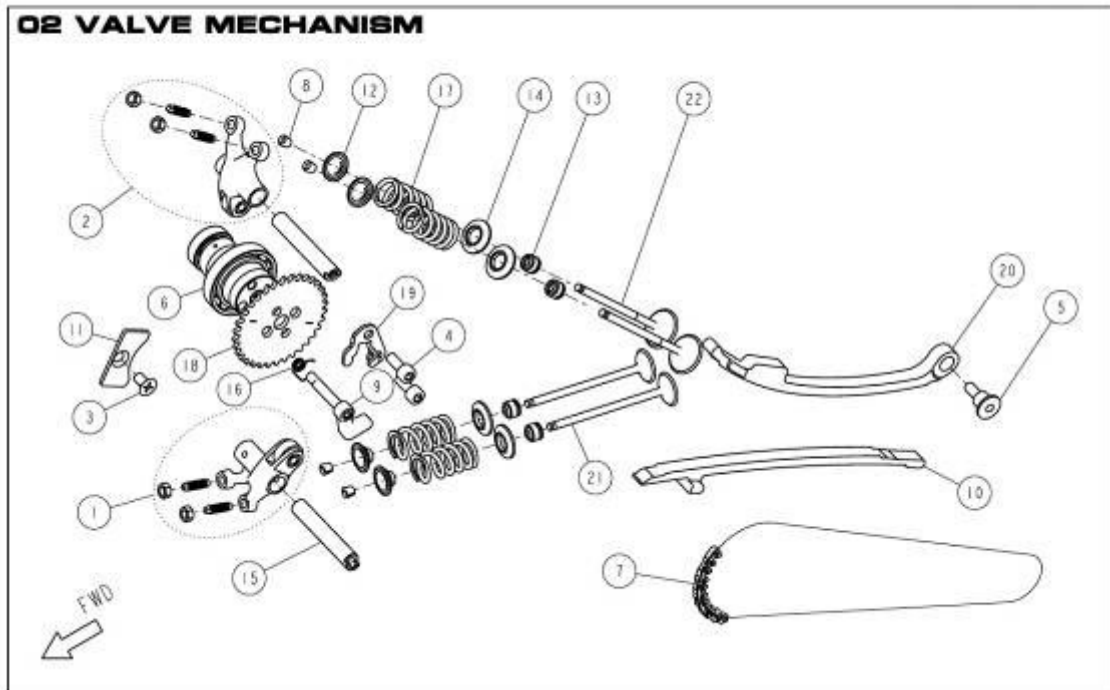


Ref No.	Part No.	DESCRIPTION	QTY	REMARKS
1	86448	BOLT, HEXAGON FLANGE M10x16	1	
2	85877	BOLT, HEXAGON FLANGE M6x12	1	
3	86468	BOLT, HEXAGON FLANGE M6x18	6	
4	86466	BOLT, HEXAGON FLANGE M6x25	1	
5	86471	BOLT, HEXAGON FLANGE M6x30	1	
6	83703	BOLT, STUD M6x32	2	
7	86367	COVER, CYLINDER HEAD	1	
8	86366	CYLINDER	1	Φ 62.0mm
9	86436	GASKET, BASE CYLINDER	1	t=0.25
10	86440	GASKET, HEAD CYLINDER	1	t=0.25
11	86476	GASKET, M10	1	
12	86405	GASKET, MANIFOLD	1	
13	86439	GASKET, TANSIONER CAM CHAIN	1	
14	86622	HEAD, CYLINDER	1	
15	86404	MANIFOLD, INTAKE	1	
16	86479	O-RING	1	
17	86434	O-RING, COVER HEAD	1	
18	83720	PIN, DOWEL Φ 10x Φ 8.4x14	4	
19	83747	PIN, DOWEL Φ 8x Φ 6.3x12	1	
20	86429	SPARK PLUG ER9EH	1	M8xP1
21	86396	TENSIONER, CAM CHAIN COMP	1	
22	86456	WASHER, Φ 6.3x Φ 12x1.5	1	

ANIMA 190FDX ENGINE

Owner's Manual

PARTS CATALOGUE (Engine No. ANIMA190FDX 000000001-)

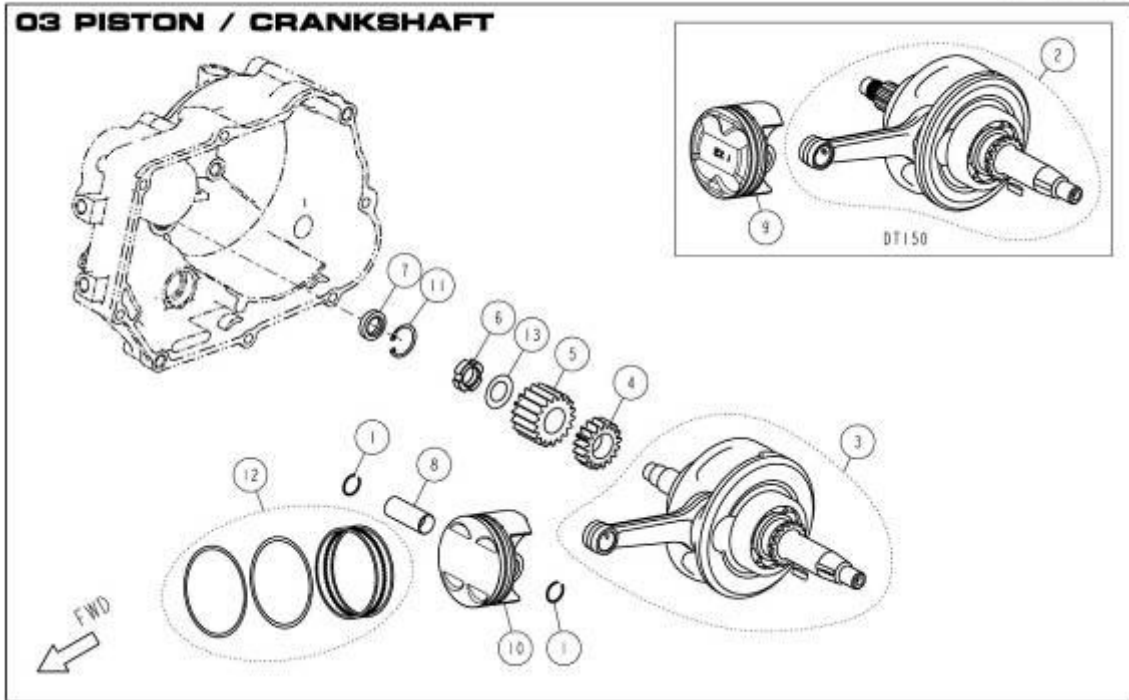


Ref No.	Part No.	DESCRIPTION	QTY	REMARKS
1	86481	ARM, ROCKER ROLLER EX. COMP	1	
2	86393	ARM, ROCKER ROLLER IN. COMP	1	
3	86460	BOLT, COUNTERSINK M6x15	1	
4	86883	SCREW M6X16	2	
5	86447	BOLT, TENSIONER	1	
6	86878	CAMSHAFT 240° ROLLER DECOMP ASM	1	LOBE CENTER 101° (INT, EXH)
7	86391	CHAIN, CAMSHAFT DRIVE	1	94L
8	86402	COTTER, VALVE	8	
9	86881	SHAFT W/WEIGHT, DECOMP.	1	
10	86395	GUDE , CHAIN CAMSHAFT	1	
11	86389	PLATE, STOPPER CAM	1	
12	86400	RETAINER, SPRING VALVE	4	
13	86403	SEAL, VALVE STEM Φ 4.5	4	
14	86401	SEAT, SPRING VALVE	4	
15	86392	SHAFT, ROCKER	2	
16	86880	SPRING, RETURN DECOMP.	1	
17	86624	SPRING, VALVE	4	
18	86879	SPROCKET, CAMSHAFT DRIVEN	1	34T
19	86882	PLATE, STOPPER DECOMP.	1	
20	86394	TENSIONER, CAM CHAIN	1	
21	86623	VALVE, EXHAUST Φ 21	2	
22	86397	VALVE, INTAKE Φ 24.5	2	

ANIMA 190FDX ENGINE

Owner's Manual

PARTS CATALOGUE (Engine No. ANIMA190FDX 000000001-)

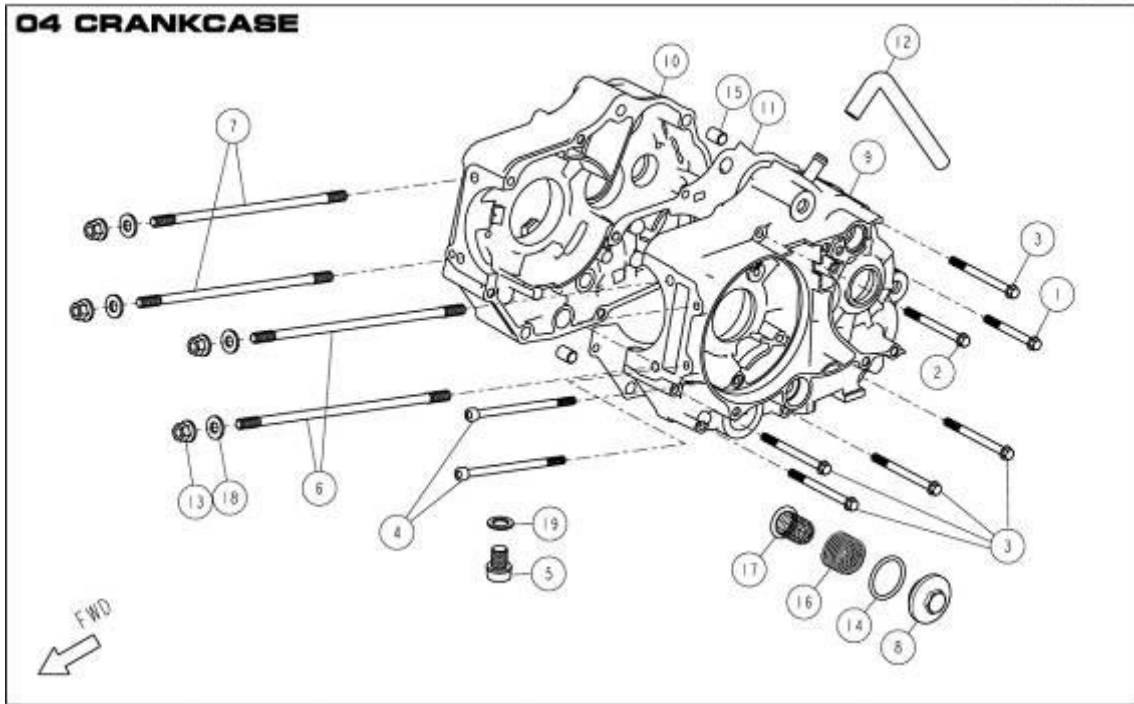


Ref No.	Part No.	DESCRIPTION	QTY	REMARKS
1	86453	CLIP, PIN PISTON	2	
3	86620	CRANK SHAFT ASSY 190F	1	STROKE 62.0mm
4	86383	GEAR, OIL PUMP DRIVE	1	17T
5	86415	GEAR, PRIMARY DRIVE	1	18T
6	83768	NUT, SMALL M14	1	
7	86443	OIL SEAL, $\Phi 12 \times \Phi 20 \times 5t$	1	
8	86379	PIN, PISTON $\Phi 14$	1	
10	86621	PISTON for 190F	1	BORE $\Phi 62.0$
11	86462	RETAINING RING, RTWN22	1	
12	86380	RING SET, PISTON	1	
13	86411	WASHER, SPRING	1	

ANIMA 190FDX ENGINE

Owner's Manual

PARTS CATALOGUE (Engine No. ANIMA190FDX 000000001-)

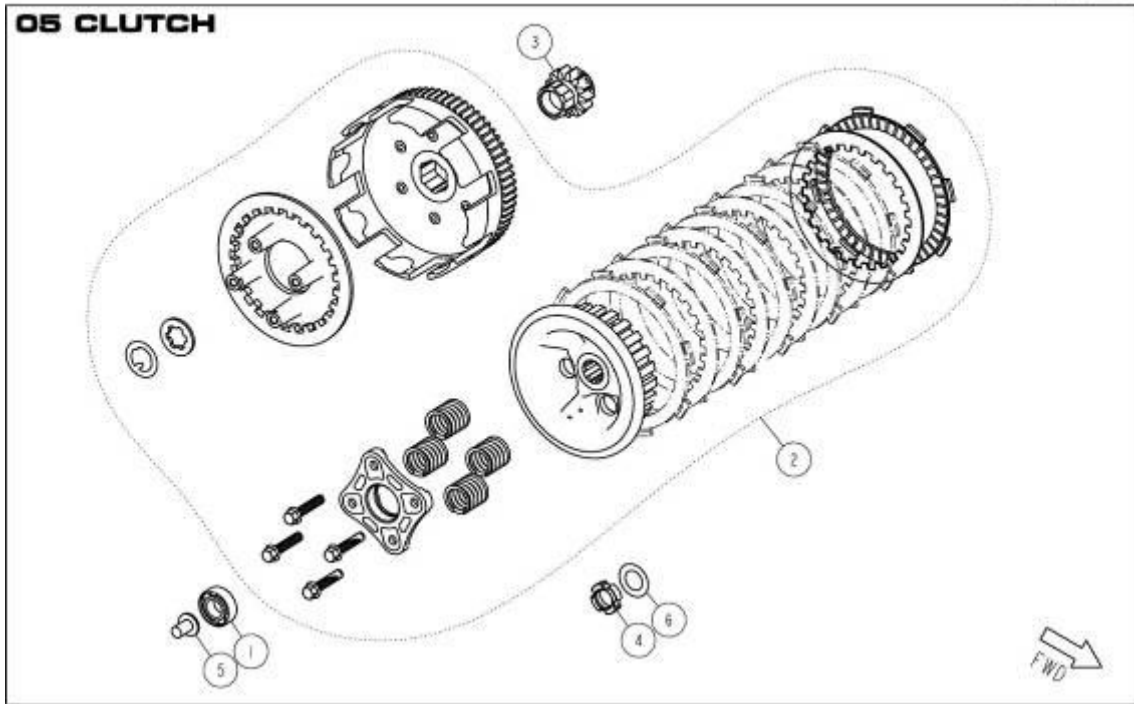


Ref No.	Part No.	DESCRIPTION	QTY	REMARKS
1	86474	BOLT, HEXAGON FLANGE M6x55	1	
2	83761	BOLT, HEXAGON FLANGE M6x65	1	
3	86360	BOLT, HEXAGON FLANGE M6x70	5	
4	86459	BOLT, HEXAGON SOCKET M6x105	2	
5	83755	BOLT, OIL DRAIN M12x1.5	1	
6	86444	BOLT, STUD A	2	M8xP1.25 L=223mm
7	86445	BOLT, STUD B	2	M8xP1.25 L=203.5mm
8	86369	COVER, STRAINER OIL	1	
9	86370	CRANK CASE, LH	1	
10	86884	CRANK CASE, RH	1	
11	86438	GASKET, CRANKCASE	1	
12	86371	HOSE, BREATHER	1	
13	86451	NUT FLANGE, M8	4	
14	86433	O-RING, $\Phi 30 \times \Phi 3$	1	
15	83720	PIN, DOWEL $\Phi 10 \times \Phi 8.4 \times 14$	2	
16	86385	SPRING, STRAINER	1	
17	86387	STRAINER, OIL	1	
18	86457	WASHER, GASKET M8	4	
19	83754	WASHER, OIL DRAIN M12	1	

ANIMA 190FDX ENGINE

Owner's Manual

PARTS CATALOGUE (Engine No. ANIMA190FDX 000000001-)

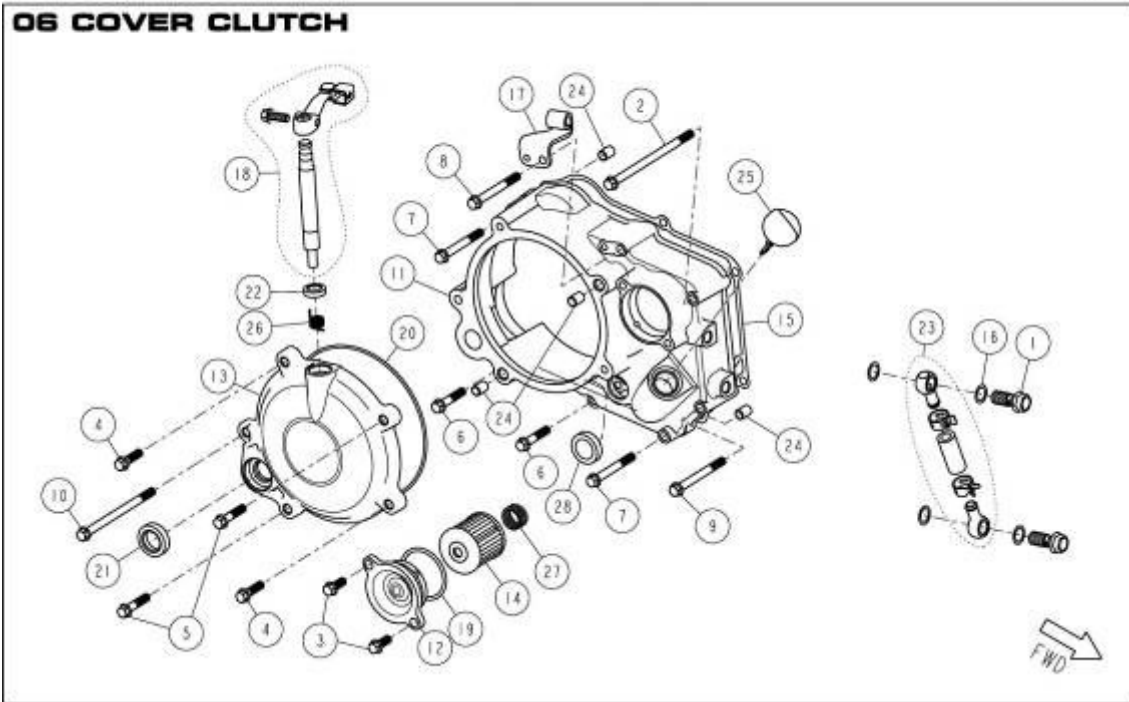


Ref No.	Part No.	DESCRIPTION	QTY	REMARKS
1	83786	BEARING, #6000	1	
2	86409	CLUTCH COMP	1	
3	86417	GEAR, STARTER DRIVEN 2 13T	1	
4	83768	NUT, SMALL M14	1	86450
5	83787	PIN, LIFTER CLUTCH	1	
6	86410	WASHER, SPRING $\Phi 24 \times \Phi 14.2 \times 1.2$	1	

ANIMA 190FDX ENGINE

Owner's Manual

PARTS CATALOGUE (Engine No. ANIMA190FDX 000000001-)

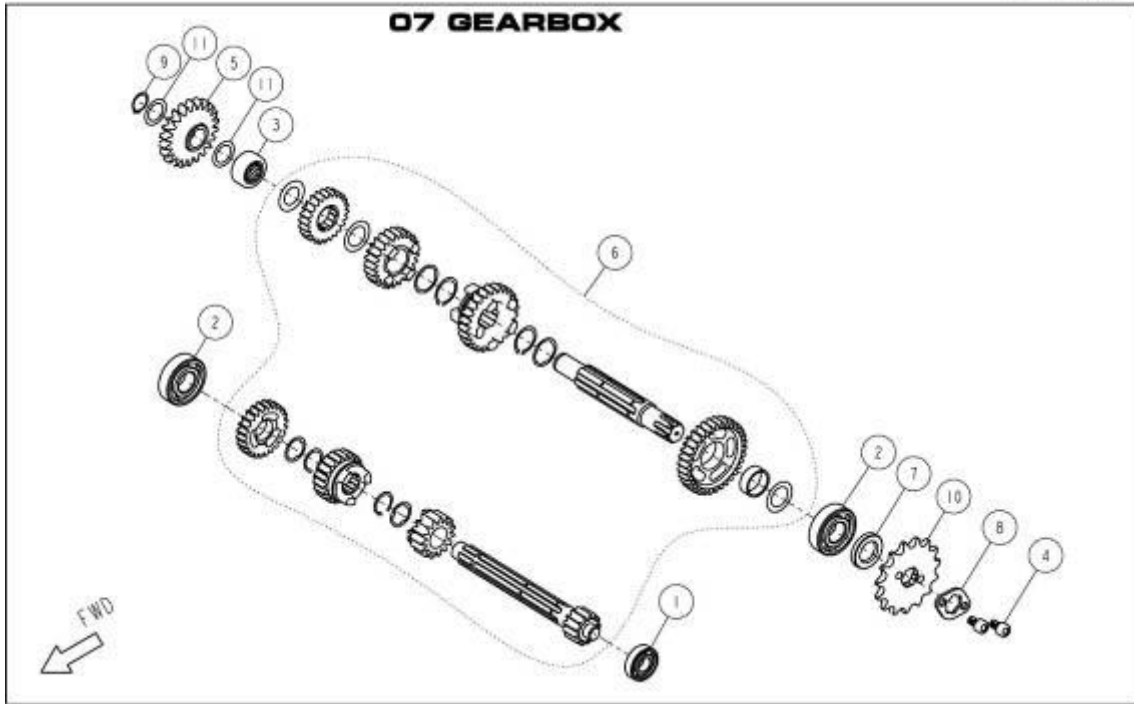


Ref No.	Part No.	DESCRIPTION	QTY	REMARKS
1	86446	BOLT, BANJO M10x22.5	2	
2	86362	BOLT, HEXAGON FLANGE M6x105	1	
3	86486	BOLT, HEXAGON FLANGE M6x15	2	
4	86469	BOLT, HEXAGON FLANGE M6x22	2	
5	86485	BOLT, HEXAGON FLANGE M6x28	2	
6	86471	BOLT, HEXAGON FLANGE M6x30	2	
7	86473	BOLT, HEXAGON FLANGE M6x50	2	
8	86474	BOLT, HEXAGON FLANGE M6x55	1	
9	83759	BOLT, HEXAGON FLANGE M6x60	1	
10	86361	BOLT, HEXAGON FLANGE M6x90	1	
11	86376	COVER, CLUTCH	1	
12	86374	COVER, OIL FILTER	1	
13	86377	COVER, SMALL CLUTCH	1	
14	86384	FILTER, OIL	1	
15	86437	GASKET, COVER CLUTCH	1	
16	86476	GASKET, M10	4	
17	86412	HOLDER, CABLE CLUTCH	1	
18	86414	LEVER, CLUTCH COMP	1	
19	86432	O-RING, $\Phi 38.6 \times 2.6$	1	
20	86435	O-RING, COVER SMALL CLUTCH	1	
21	86441	OIL SEAL, $\Phi 16 \times \Phi 26 \times 7$	1	
22	86442	OIL SEAL, $\Phi 17 \times \Phi 10 \times 5$	1	
23	86406	OIL THROUGH COMP	2	
24	83747	PIN, DOWEL $\Phi 8 \times \Phi 6.3 \times 12$	4	
25	86386	RULER	1	
26	86413	SPRING, LEVER CLUTCH	1	
27	86375	SPRING, OIL FILTER	1	
28	86475	WINDOW, OIL LEVEL	1	

ANIMA 190FDX ENGINE

Owner's Manual

PARTS CATALOGUE (Engine No. ANIMA190FDX 000000001-)



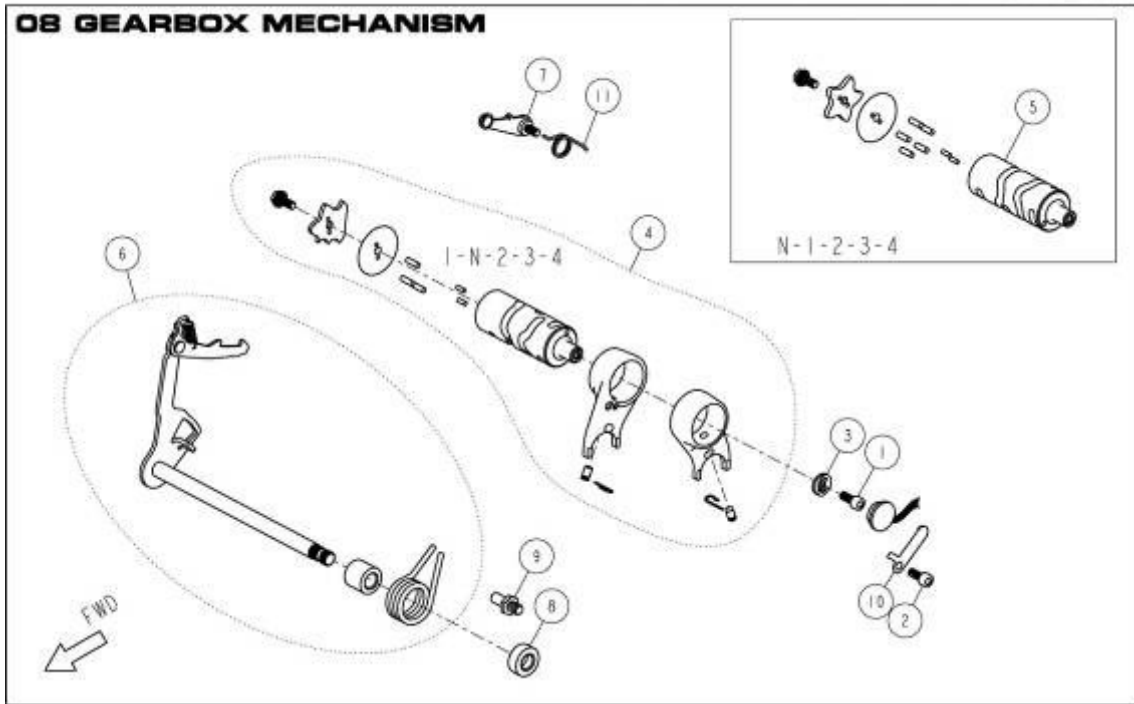
Ref No.	Part No.	DESCRIPTION	QTY	REMARKS
1	83788	BEARING #6001	1	
2	83795	BEARING #6203	2	
3	86454	BEARING NK152712	1	
4	86464	BOLT, HEXAGON SOCKET M6x10	2	
5	86418	GEAR IDLE, STARTER	1	
6	86919	GEAR, COMP,#3	1	
7	83796	OIL SEAL, Φ 29xΦ 17x5	1	
8	86420	PLATE, FIXING SPROCKET DRIVE	1	
9	86463	RETAINING RING Φ 13.6	1	
10	86419	SPROCKET, DRIVE 15T	1	
11	86455	WASHER, Φ 22xΦ 15x0.5	2	

GEAR,ASSEMBLY (MAIN & COUNTER)		(4speed)			
	1st	2nd	3rd	4th	
MAIN	13	15	20	23	
COUNTER	34	26	26	24	
	(2.6153)	(1.7333)	(1.3000)	(1.0435)	

ANIMA 190FDX ENGINE

Owner's Manual

PARTS CATALOGUE (Engine No. ANIMA190FDX 000000001-)



Ref No.	Part No.	DESCRIPTION	QTY	REMARKS
1	86449	BOLT, HEXAGON SOCKET M6	1	
2	85877	BOLT, HEXAGON SOCKET M6x15	1	
3	83833	CONTACT, GEAR INDICATION	1	
5	86421	DRUM, SHIFT N-1-2-3-4 COMP	1	
6	86915	LEVER, GEAR SHIFT COMP	1	
7	86424	LOCATING PLATE UNIT	1	
8	83837	OIL SEAL, $\Phi 24 \times \Phi 16 \times 10$	1	
9	86480	PIN, LOCATING SHIFT LEVER	1	
10	85876	PLATE, LOCATING SWITCH N.	1	
11	86423	SPRING, LOCATING PLATE	1	

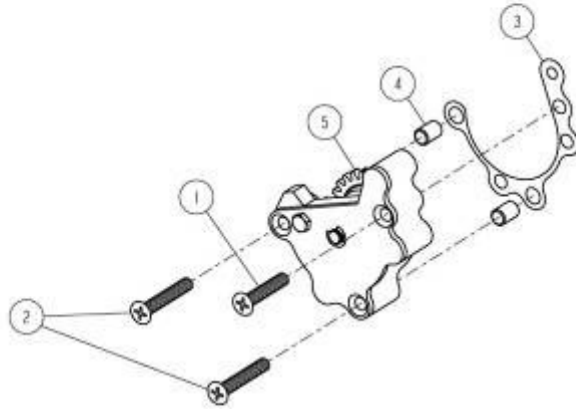
ANIMA 190FDX ENGINE

Owner's Manual

PARTS CATALOGUE (Engine No. ANIMA190FDX 000000001-)



09 OIL PUMP



Ref No.	Part No.	DESCRIPTION	QTY	REMARKS
1	84678	BOLT, COUNTERSUNK M6x30	1	
2	84677	BOLT, COUNTERSUNK M6x35	2	
3	84676	GASKET, PUMP OIL	1	
4	83747	PIN, DOWEL $\Phi 8 \times \Phi 6.3 \times 12$	2	
5	86382	PUMP, OIL ASSY	1	

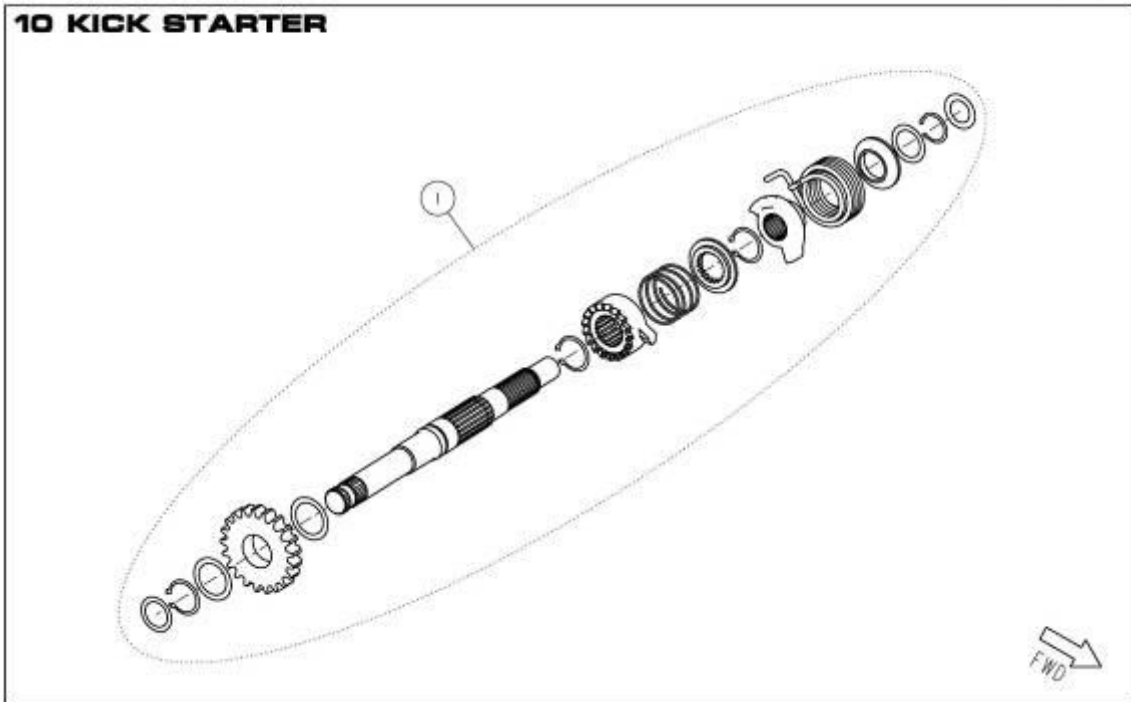
ANIMA 190FDX ENGINE

Owner's Manual

PARTS CATALOGUE (Engine No. ANIMA190FDX 000000001-)



10 KICK STARTER

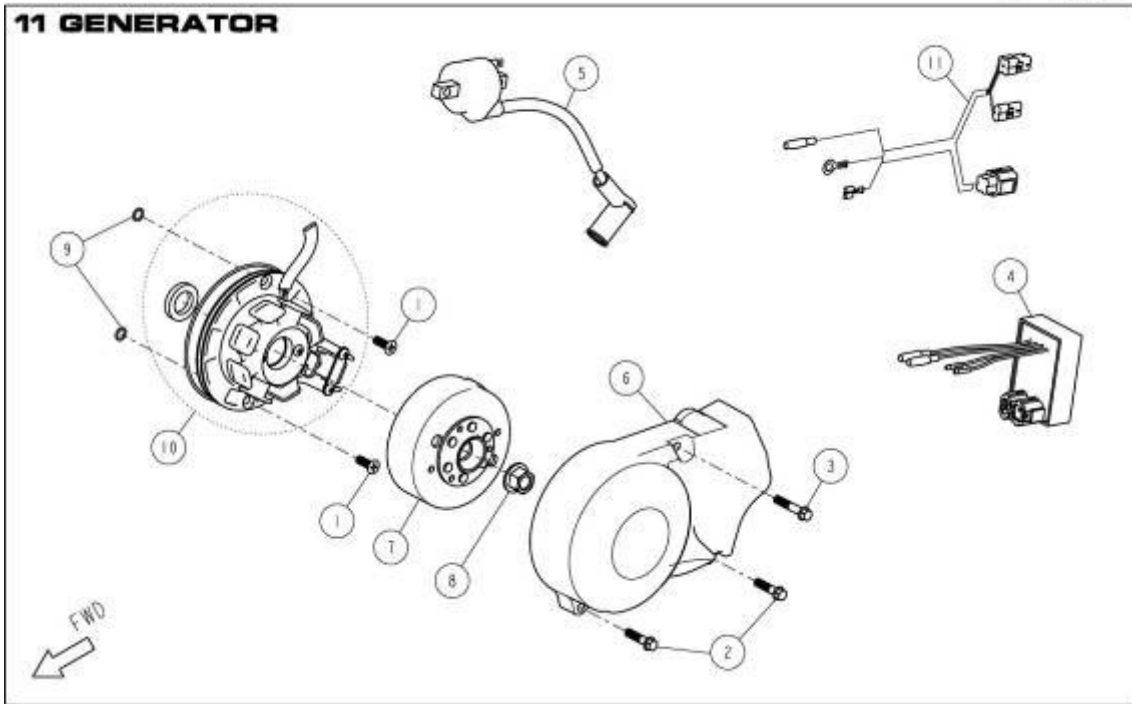


Ref No.	Part No.	DESCRIPTION	QTY	REMARKS
1	86407	KICK STARTER ASM	1	

ANIMA 190FDX ENGINE

Owner's Manual

PARTS CATALOGUE (Engine No. ANIMA190FDX 000000001-)



Ref No.	Part No.	DESCRIPTION	QTY	REMARKS
1	86461	BOLT, COUNTERSUNK M6x15	2	
2	86464	BOLT, HEXAGON FLANGE M6x25	2	
3	86472	BOLT, HEXAGON FLNAGE M6x32	1	
4	86427	BOX, CDI	1	W/ SELECTABLE REV LIMITER
5	86426	COIL, IGN ITION	1	
6	86373	COVER, MAGNET	1	
7	86431	FLYWHEEL MAGNET COMP	1	
8	86452	NUT, MAGNET M12	1	
9	86479	O-RING, $\Phi 6.5 \times \Phi 1.8$	2	
10	86916	STATOR ASSY, W/O LIGHT	1	
11	86917	WIRE HERNESS, W/O LIGHT	1	

DAYTONA corp.

2013.02.21