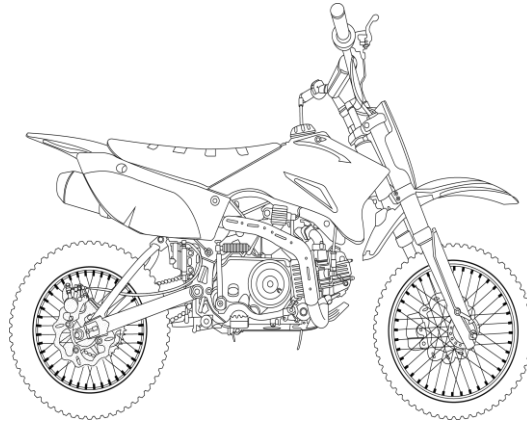
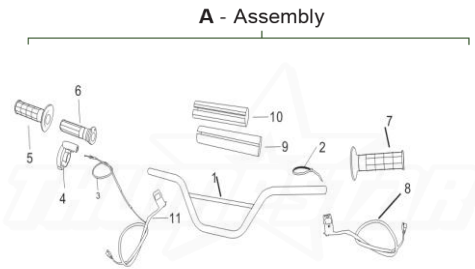


SPARE PART CATALOGUE | TSK110 VR3



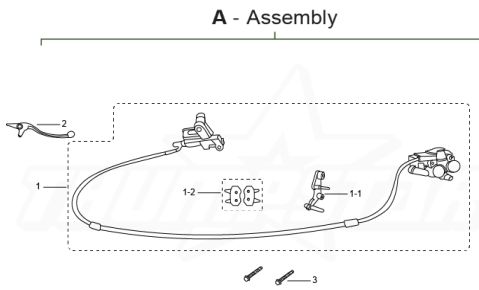
**DRIVING SYSTEM ASSEMBLY**

POS.	PART NO	ERP CODE	ENGLISH NAME	QTY
A	3819		Driving System Complete Assembly	
1		W070077	Φ12 black steel handle bar	1
2		J450024	5'200mm belt	1
3	AN0100-001	W080054	throttle cable	1
4	KB0100-P01	W080018	throttle perch	1
5	KC0102-C04-K	W090031	black right grip	1
6	KB0101-P01	W090021	grip tube	1
7	KC0101-C04-K	W090030	black left grip	1
8	AM0300-001	D040001	engine switch	1
9	AL0102-002	W430193	φ12*53'220 handle bar pad	1
10		W431729	JK15052-1/3/4 handle bar pad cover	1
11	AM0300-008	D040015	electric switch	1



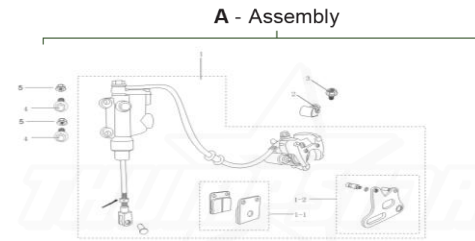
**FRONT BRAKE SYSTEM**

POS.	PART NO	ERP CODE	ENGLISH NAME	QTY
A	3820		Front Brake System Complete Assembly	
1		W110318	front brake assy. 12 bracket Φ43H12	1
1-1		W452096	unfold brake lever	1
1-2	QTQS001	W450139	front disc brake bracket	1
1-3	KE0500-007	W450100	front brake pad	1
2		J400011	M8*30 flange bolt	2



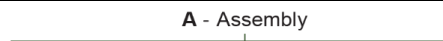
**REAR BRAKE SYSTEM**

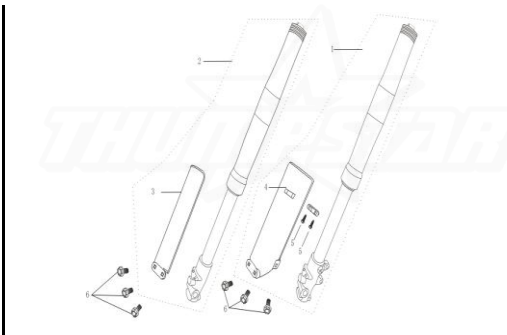
POS.	PART NO	ERP CODE	ENGLISH NAME	QTY
A	3821		Rear Brake System Complete Assembly	
1		W120119	rear brake assy.	1
1-1	KF0400-003	W450104	180 plate Φ15-bracket	1
1-2	KF0300-002	W451223	rear brake pad	1
2	KF0300-003	W120075	rear brake bracket	1
3			oil pipe clip	1
4	GB5789-86	J400001	M6*12 flange bolt	1
5	GB5789-86	J400003	M6*20 flange bolt	2
6	Gb6177-86	J060001	M6 flange nut	1



**FRONT FORK SUSPENSION**

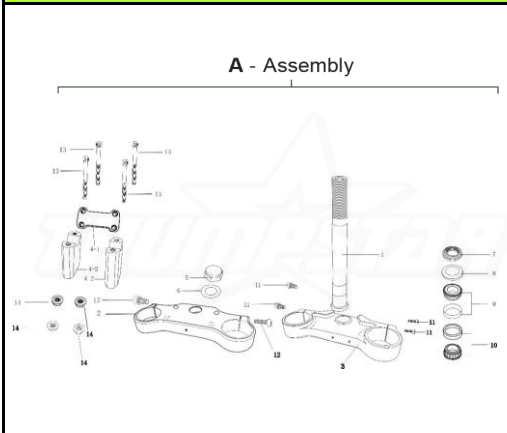
POS.	PART NO	ERP CODE	ENGLISH NAME	QTY
A	3822		Front Fork Suspension Complete Assembly	
1		W140136	625mm black front left USD fork	1
2		W140137	625mm black front right USD fork	1
3		W450150	right fork protector	1





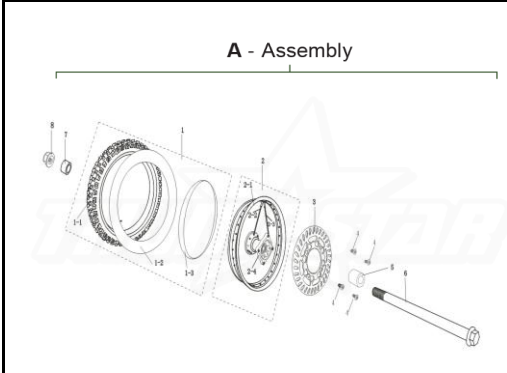
4		W450149	left fork protector	1
5	QTZJ005	J100003	ST4.2*16 screw	2
6	GB5789-86	J390001	M6*12 S8 flange bolt	6

**BAR/FORK CLAMPS**



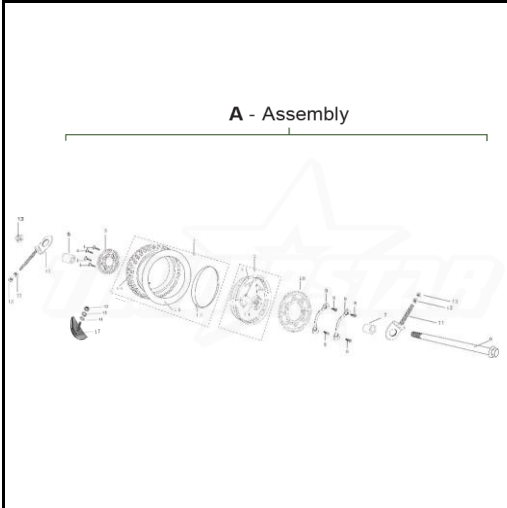
POS.	PART NO	ERP CODE	ENGLISH NAME	QTY
A	3823		Fork Clamps Complete Assembly	
1	KK0100-027	W160003	steering column	1
2	KJ0101-025-K	W150039	Φ45 silvery forging upper clamp	1
3	KJ0102-025-K	W150040	Φ48 silvery forging lower clamp	1
4-1	KJ0201-025-K	W150041	silvery forging upper raiser	1
4-2	KJ0202-026-K	W150043	silvery forging lower raiser	2
5	KL0101-B01	W170001	top nut	1
6	KL0102-B01	W170003	washer	1
7	KL0103-B01	W170005	φ23*36*1.5 lock nut	1
8	KL0104-B01	W170006	M22*1 dust seal	1
9	KL0105-B01	W170010	upper bearing	1
10	KL0106-B01	W170011	320/22 lower bearing	1
11	GB70-85	J350005	M6*20 screw	4
12	GB70-85	J350011	M8*20 screw	2
13	GB70-85	J350024	M8*105 screw	4
14	GB6187-86	J350027	M8 flange lock nut	4

**FRONT TYRE ASSEMBLY**



POS.	PART NO	ERP CODE	ENGLISH NAME	QTY
A	3824		Front Tyre Complete Assembly	
1	KM1401-P01	W180036	60/100-14 P153 front tyre assy.	1
1-1		W180113	60/100-14 front tire	1
1-2		W450813	60/100-14 inner tube	1
1-3	KM1203-G01	W450227	14*20 lining belt	1
2		W190016	1.4*14 front rim assy-black	1
2-1		W450985	1.4-14 black steel rim	1
2-2		W451929	14-inch spokes-inner	16
2-3		W450211	14-inch spokes-outer	16
2-4	KN1004-P01-K	W452210	front wheel hub	1
3		W130021	front brake disc	1
4	AW0100-002	W450028	front disc plate bolt	4
5		W040068	bush	1
6		W030033	Φ210 /Φ16.5 * H1.5 wheel axle	1
7		W040060	Φ15*25*H18 bush	1
8		J070009	M14*1.5 flange lock nut	1

**REAR TYRE ASSEMBLY**

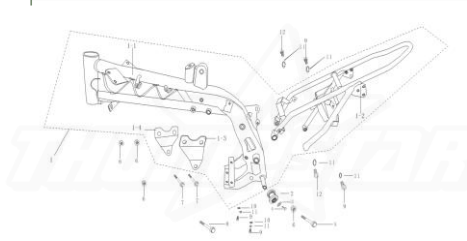


POS.	PART NO	ERP CODE	ENGLISH NAME	QTY
A	3825		Rear Tyre Rear Tyre Complete Assembly	
1	KM1201-P01	W180021	80/100-12 P153 rear tyre assy.	1
1-1		W180114	80/100-12 rear tire	1
1-2		W450860	80/100-12 rear tube	1
1-3		W451031	12*20 rear lining belt	1
2		W200248	1.85*12 rear rim assy.	1
2-1		W450206		1
2-2		W451931	12-inch outer spoke assy.-inner	16
2-3		W450924	12-inch inner spoke assy.-outer	16
2-4	KP1004-P01-K	W452211	black hub	1
3		W130022	Φ180 rear brake disc	1
4	AW0100-003	W450030	M8*20 rear brake disc bolt	4
5		W040066	φ15*φ25*25 axle bush	1
6	AU0015-003	W030036	φ15*225*1.5mm rear wheel axle	1
7		W040074	φ15*φ25*33 axle bush	1
8	GB/T5783	J380025	M8*30 bolt	4
9	AS0100-031	J450003	rear sprocket lock slice	2
10	AD0100-G15	W350004	420/41T rear sprocket	1
11		W340023	/Φ15*Φ29+31*7*H37 chain adjuster block	2
12	GB6170-86	J050004	M8 nut	4
13		J380021	M8 * 40 chain adjuster block	2
14		J070009	M14*1.5 flange lock nut	1
15	65.GB93-87	J010002	Φ8 spring washer	1
16	76、GB97.1-85	J020004	Φ8*16*1.5 washer	1
17	AP0100-023	W440175	1.6-1.85 rim lock	1
18	GB6170-86	J050004	M8 nut	1

**FRAME**

POS.	PART NO	ERP CODE	ENGLISH NAME	QTY
A	3826		Frame Complete Assembly	

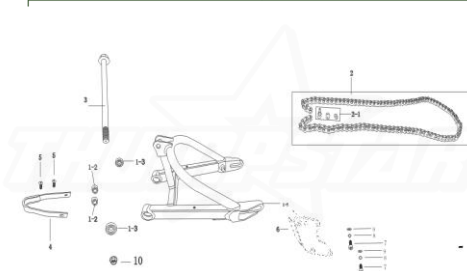
A - Assembly



1			black frame assy.	1
1-1		L060074	3mm black frame	1
1-2		L060075	black sub-frame	1
1-3	KQ0103-G02-K	W230082	left hanger	1
1-4	KQ0104-G02-K	W230083	right hanger	1
2	AC0100-004	W340028	chain roller	1
	86.6900ZZ	W010006	6900Z bearing	2
3	68. GB96-76	J020003	Φ6*18*1.5 washer	1
4	GB5789-86	J400001	M6*12 flange bolt	1
5	GB5787-86	J390017	M8*105 flange bolt	1
6	GB6187-86	J070003	M8 flange lock nut	4
7	GB5787	J390016	M8*75 flange bolt	2
8	GB5787	J390021	M8*115 flange bolt	1
9	GB70-85	J350012	M8*25 screw	4
10	GB97.1-85	J020004	Φ8*16*1.5 washer	2
11	GB93-87	J010002	spring washer	6
12		J350015	M8*35 screw	2

SWINGARM

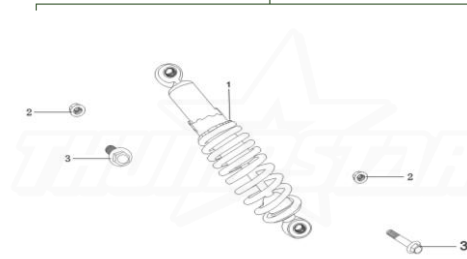
A - Assembly



POS.	PART NO	ERP CODE	ENGLISH NAME	QTY
A	3827		Swing Arm Complete Assembly	
1-1	KR1020-G01	L060161	330mm steel swing arm	1
1-2	AV0026-G00	W040021	Φ10.2*22.5*H16 sleeve	2
1-3		W010021	6200-10 swing arm bearing	2
2		W020139	420H 96L CHOH chain	1
2-1		W452167	chain clip 420	1
3		W030008	Φ10*188*1.25mm swing arm axle	1
4	AU0010-012	W340036	chain slider slice	1
5		J310001	M6*16 screw	2
6		W340015	KAYO chain guarder assy.	1
		W340058		1
7	9. GB70*85	J350011	M8*20 screw	2
8	KF0202-001	J020004	Φ8*16*1.5mm washer	2
9	GB97.1-85	J010002	spring washer	2
10		J070004	M10*1.25 lock nut	1

REAR FORK SUSPENSION

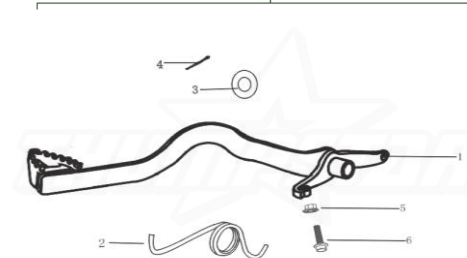
A - Assembly



POS.	PART NO	ERP CODE	ENGLISH NAME	QTY
A	3828		Rear Fork Complete Assembly	
1	AE0100-W15	W360150	rear shock A54-H2K L=270 300LBS	1
2	GB6187-86	J070004	M10x1.25 flange lock nut	2
3	AU0010-009	W030001	Φ10x45x1.25 axle	2

FOOT BRAKE

A - Assembly



POS.	PART NO	ERP CODE	ENGLISH NAME	QTY
A	3829		Foot Brake Complete Assembly	
1	AA0100-G06-K	W330016	up-going brake pedal	1
2	AQ0100-001	W050002	Φ15xΦ30x2.5 rear brake spring	1
3	GB97.1-85	J020014	washer	1
4	GB91-86	J420005	2.5x30 cotter pin	1
5		J050003	M6 nut	1
6		J400005	M6*30 flange bolt	1

ENGINE

A - Assembly



POS.	PART NO	ERP CODE	ENGLISH NAME	QTY
A	3830		Engine Complete Assembly	
1		W250690	ZS110 engine assy.	1
1-1		W250493	intake pipe	1
1-2		W450360	flange bolt	1
1-3		W450758	M6*20 gasket	1
1-4		W450760	insulation cushion	1
1-5		W451490	ZS110 chromed start lever	1
1-6		W451491	ZS110 chromed gearshift lever	1



