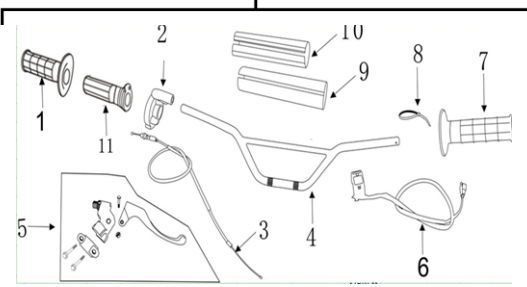


**Manufacturer Code SY Zhizhan (SYM) TSB70 V4.1  
SPARE PART CATALOGUE | TSB70**

**DRIVING SYSTEM ASSEMBLY**

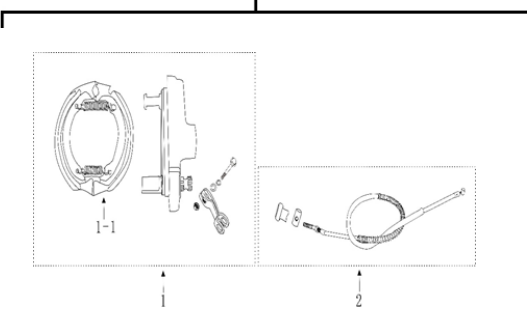
**A - Assembly**



POS.	PART NO.	ERP CODE	ENGLISH NAME	QTY
A	3797		Driving System Assembly Complete Assembly	
1		W090031	Black Handlebar Grip, Right	1
3	3987	W060009	Throttle Cable 750+115mm	1
4	7170	W070077	Steel Handle Bar	1
5	7016	W110089	Front Brake Lever	1
6	3906		Stop Switch	1
7		W090030	Black Handlebar Grip, Left	1
8		J450024	Plastic Belt	1
9		W430193	Padding Foam	1
10		W431729	Padding Cover	1
2 & 11	3699	W090021	Throttle W/ Limit Screw	1

**FRONT DRUM BRAKE**

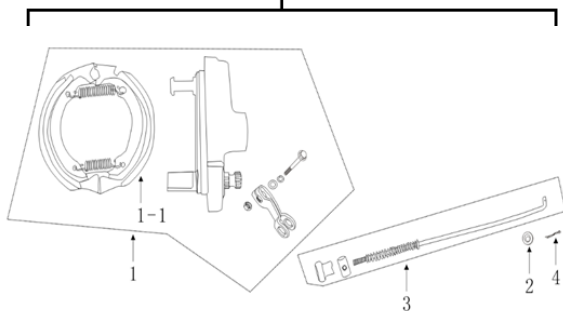
**A - Assembly**



POS.	PART NO.	ERP CODE	ENGLISH NAME	QTY
A	3798		Front Drum Brake Complete Assembly	
1		W451411	Front Drum Brake Cover	1
1-1		W450225	Front Drum Brake Pads	1
2		W060038	Front Drum Brake Cable 780+92	1

**REAR DRUM BRAKE**

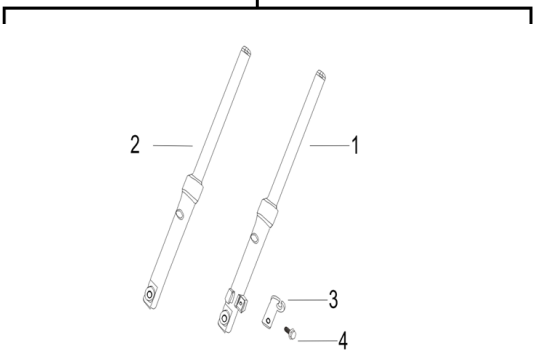
**A - Assembly**



POS.	PART NO.	ERP CODE	ENGLISH NAME	QTY
A	3799		rear drum brake Complete Assembly	
1		W451412	rear drum brake cover	1
1-1		W450225	rear drum brake pads	1
2		J020003	washer 2*20	1
3		W120073	rear drum brake cable	1
4		J420002	cotter pin	1

**FRONT FORK SUSPENSION**

**A - Assembly**



POS.	PART NO.	ERP CODE	ENGLISH NAME	QTY
A	3800		Front Fork Suspension Complete Assembly	
1		W140148	500mm upside front fork	1
2		W140149	500mm right upside front fork	1
3		W440003	front fork bracket	1
4		J400001	M6*12 Flange bolt	1





			W050017	side stand spring $\phi 15 \times 2.5 \times H40 \times 16$ laps	1
<b>CARBURETOR</b>					
A-Assembly					
POS.	PART NO.	ERP CODE	ENGLISH NAME	QTY	
A			Carburetor Complete Assembly		
1	7036		Mikuni 19mm Carburetor	1	
2	7709		$\phi 35$ airbox filter	1	
2-1		J450011	Hoop	1	
4	1	3051A	Remote Fuel Switch	2	
5	1	7099	Stone Fuel Filter		
<b>MUFFLER</b>					
A-Assembly					
POS.	PART NO.	ERP CODE	ENGLISH NAME	QTY	
1	7284		Exhaust system	1	
1-1			Muffler	1	
2		J390010	Flange bolt 'GB5789-86 M8*35	1	
3		J070003	Locknut '90309-KV8-8400 M8	2	
4		J070002	Locknut 90301-KRS-8300 M6		
<b>ELECTRIC ASSEMBLY</b>					
A-Assembly					
POS.	PART NO.	ERP CODE	ENGLISH NAME	QTY	
A			Electrical Complete Assembly		
1	3055		Wire harness	1	
2	3839		CDI	1	
3	3255		Ignition coil	1	
4		J390004	Flange bolt M6x20 S8	1	
<b>TANK</b>					
A-Assembly					
POS.	PART NO.	ERP CODE	ENGLISH NAME	QTY	
A	3794		Tank Complete Assembly		
1	3794		Fuel tank assy.	1	
2		W450004	Fuel tank tap	1	
3		W400009	Rubber washer	1	
4	3052	W380015	Fuel cap	1	
5		W380022	Breathing valve	1	
6		J450020	Oil pipe clip	1	
7		J450021	Oil pipe clip	1	
8		J400010	Flange bolt M8*25	1	
9		J020006	Flat washer $\phi 8 \times \phi 28 \times 1.5$	2	
10		W400006	Rubber bush $\phi 10 \times 24 \times 3 + 21 \times 3 \times H15$	1	
11		W400007	Rubber washer	1	
<b>PLASTICS</b>					
A-Assembly					
POS.	PART NO.	ERP CODE	ENGLISH NAME	QTY	
A	3934		Plastics Complete Assembly		
1	3975		Seat	1	
2		W390005	White number plate	1	
3		W390056	Red front fender	1	
4		W390057	Red front left cover	1	
5		W390058	Black rear left cover	1	

