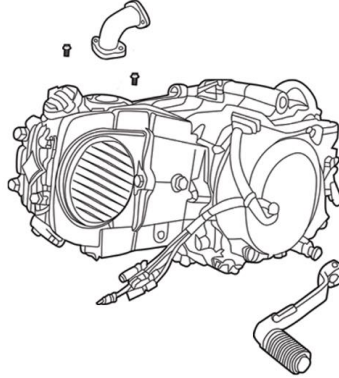




ENGINE# 100000-F1AU-00168

ATV70 ENGINE



thumpstar.com.au
thumpstar.co.nz
thumpstarusa.com

FOR ILLUSTRATION ONLY

E-1 CYLINDER HEAD/CYLINDER BODY

POS.	PART NO	ERP CODE	ENGLISH NAME	QTY	NAME	SPECIFICATION
A	TS0085		COMPLETE ASSEMBLY	1		
1		2.1.02.1560	CYLINDER ASSY.	1	气缸体	铸铁 86cm3(cast iron erect veins)
2		120050005-0001	GASKET,CYLINDER	1	气缸体密封垫	蓝天MT1;(LantianMT1)
3		2.1.02.1550	HEAD ASSY., CYLINDER	1	气缸头	
4			PIPE.IN VALVE	1	进气门导管	属于件3, 不可单独(belongs to Part No.3.can't buy separately)
5			PIPE.EX VALVE	1	排气门导管	属于件3, 不可单独(belongs to Part No.3.can't buy separately)
6		120150008-0001	GASKET,CYLINDER HEAD	1	气缸头密封垫	
7		380180031-0004	STUD	2	双头螺栓	bm=2d ,M6 L=20, 10.9级
8		380040003-0004	BOLT	2	十字槽凹穴六角头螺栓	M6x23
9		380820090-0001	COLLAR	1	衬套	外径8,内径6.5,长10 (external diameter8-internal diameter6.5-length10)
10		380820089-0001	WASHER	1	衬套	外径14.8,内径11.5,长1.8 (external diameter14.8-internal diameter11.5-length1.8)
11		380600002-0001	PIN	2	定位销	8*14
12		380840045-0001	O-RING	1	密封圈	D=14.5,外径18.5,d=2.4
13		380840046-0001	RECTANGULAR RING	1	密封圈	11.5*15.7*2.4
14			O-RING	2	密封圈	属于件3, 不可单独(belongs to Part No.3.can't buy separately)
15		380840047-0001	RECTANGULAR RING	1	密封圈	9*11.7*1.5
16		380600012-0001	PIN	2	定位销	8x12

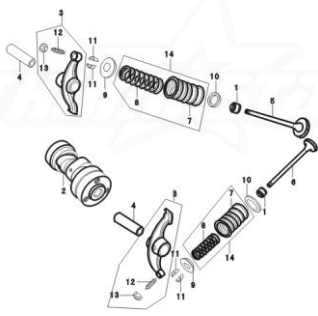
E-2 COVER,CYLINDER HEAD

POS.	PART NO	ERP CODE	ENGLISH NAME	QTY	NAME	NAME
A	TS0086		Complete Assembly	1		
1		120230007-0001	COVER,CYLINDER HEAD	1	气缸头盖	
2		120230008-0001	COVER,R.CYLINDER HEAD SIDE	1	气缸头右侧盖	
3		120230009-0001	COVER,L.CYLINDER HEAD SIDE	1	气缸头左侧盖	
4		120230010-0001	VALVE CAP	2	气门盖	
5		120230011-0001	GASKET,CYLINDER HEAD COVER	1	气缸头盖密封垫	蓝天MT1(LantianMT1)
6		120370001-0001	GASKET,R.CYLINDER HEAD SIDECOVER	1	气缸头右侧盖密封垫	蓝天MT1(LantianMT1)
7		120310001-0001	GASKET,L.CYLINDER HEAD SIDE COVER	1	气缸头左侧盖密封垫	蓝天MT1(LantianMT1)
8		270960004-0001	SPARK PLUG	1	火花塞	A7RTC,无干抗;(no interference)
9		380140015-0005	BOLT	2	六角头法兰面螺栓	M6x20
10		380330011-0004	NUT, CYLINDER HEAD COVER	4	盖形螺母	M6,H=12;镀蓝白锌Q16 (blue,white zinc plated)
11		380490033-0001	GASKET	3	轴衬垫圈	铝垫圈6*13*2 (aluminum washer)
12		380740006-0001	GASKET	1	平垫圈	铜垫圈6*13*2 (copper washer)
13		380740006-0001	BOLT M6x10	1	六角头法兰面螺栓	M6*10, 直径13mm
14		380890132-0001	O-RING	2	密封圈	氟橡胶VITON 3.2*30.8(fluorim rubber)
15		380450048-0001	GASKET	1	平垫圈	铝垫圈内径6,外径12,厚度1.2(aluminum washer, internal diameter6-external12-thickness1.2)
16		180420114-0001	IN VALVE	1	进气管	
17		170940003-0001	INSULATOR CABURETTOR	1	化油器隔热垫	
18		380070014-0006	BOLT,HEXAGONAL WITH FLANGE	2	六角头螺栓	GB/T5783-M6*25银白锌(blue, white zinc plated)
19		380070080-0005	BOLT,HEXAGONAL WITH FLANGE	2	六角头螺栓	GB/T5783-M6*28银白锌(blue, white zinc plated)
20		380890274-0001	SEAL	1	密封圈	氟橡胶VITON 2.4*25(fluorim rubber)
21		170940003-0001	GASKET,CARBURETTOR	1	化油器密封垫	ø22, 蓝天MT1(LantianMT1)

E-3 CAMSHAFT/VALVE

POS.	PART NO	ERP CODE	ENGLISH NAME	QTY	NAME	NAME
A	TS0087		Complete Assembly	1		
1		170940003-0001	OIL SEAL,VALVE	1	挡油圈	氟橡胶(fluorim rubber)

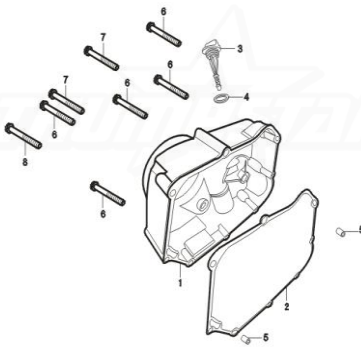
A - Assembly



2	140490003-0001	CAMSHAFT COMP	1	凸轮轴组合	
3	140490003-0002	ARM,VALVE ROCKER	1	气门摇臂组合	
4	140490003-0003	SHAFT, VALVE ROCKER ARM	2	气门摇臂轴	
5	140490003-0004	VALVE,IN.	1	进气门	
6	140490003-0005	VALVE,EX.	1	排气门	
7	140490003-0006	SPRING,VALVE OUTER	1	气门外弹簧	
8	140490003-0007	SPRING,VALVE INNER	1	气门内弹簧	
9	140490003-0008	RETAINER, VALVE INNER SPRING	2	气门弹簧座	
10	140490003-0009	SEAT,VALVE OUTER SPRING	4	气门外弹簧座面	
11	140490003-0010	COTTER VALVE	3	气门锁夹	
12	140490003-0011	SCREW,TAPPET ADJUSTING	1	气门调节螺栓	
13	140490003-0012	NUT,TAPPET ADJUSTING	1	气门调节螺母	含气门内、外弹簧各1件 (including outer and inner spring of valve)
14	140490003-0013	SPRING VALVE, ASSY	2	气门弹簧组合	氟橡胶VITON 3.2*30.8(thuon rubber)

E-4 RIGHT CRANKCASE COVER

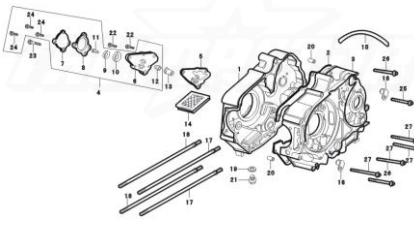
A - Assembly



POS.	PART NO	ERP CODE	ENGLISH NAME	QTY	NAME	NAME
A	TS0088		Complete Assembly			氟橡胶(Luorn rubber)
1	110600099-0001	COVER COMP, R,CRANKCASE	COVER COMP, R,CRANKCASE	1	右曲轴箱盖	(90自/小右盖铸电 1#银白 (silver white)
2	2.1.02.1580	GASKET,R,CRANKCASE COVER	GASKET,R,CRANKCASE COVER	2	右曲轴箱盖垫	带天MT1(LanlianMT1)
3	110700007-0004	GAUGE,OIL LEVEL	GAUGE,OIL LEVEL	1	机油尺	小右盖用 (长62) 本色 (for small right cover(62 in length) original colour)
4	380600012-0001	O-RING	O-RING	1	密封圈	丁腈橡胶NBR 3.5*18 (NBR)
5	380600012-0002	PIN	PIN	2	定位销	8*12
6	380740019-0001	SCREW	SCREW	5	六角头法兰面螺栓	M6*40镀锌白锌 (blue, white zinc plated)
7	380740057-0001	BOLT,FLANGE	BOLT,FLANGE	2	六角头法兰面螺栓	M6*65镀锌白锌 (blue, white zinc plated)
8	380140059-0005	SCREW	SCREW	1	六角头法兰面螺栓	GB/T16674.1-M6*80镀锌白锌 (blue, white zinc plated)

E-5 CRANKCASE/OIL PUMP

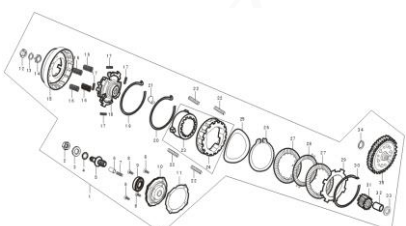
A - Assembly



POS.	PART NO	ERP CODE	ENGLISH NAME	QTY	NAME	NAME
A	TS0089		Complete Assembly			蓝天MT1(LanlianMT1)
1	110600099-0001	CRANKCASE COMP, R.	CRANKCASE COMP, R.	1	右曲轴箱体	
2	110700007-0004	GASKET,CRANKCASE	GASKET,CRANKCASE	2	曲轴箱密封垫	
3	110600099-0002	CRANKCASE COMP, L.	CRANKCASE COMP, L.	1	左曲轴箱体	
4	2.1.02.1400	OIL PUMP ASSY.	OIL PUMP ASSY.	1	机油泵总成	
5	150140001-0001	GASKET,OIL PUMP	GASKET,OIL PUMP	2	油泵体密封垫	属于件4, 不可单独 (belongs to Part No.4.can't buy separately)
6		BODY,OIL PUMP	BODY,OIL PUMP	5	机油泵体	属于件4, 不可单独 (belongs to Part No.4.can't buy separately)
7		COVER,OIL PUMP	COVER,OIL PUMP	2	机油泵盖	属于件4, 不可单独 (belongs to Part No.4.can't buy separately)
8		GASKET,OIL PUMP COVER	GASKET,OIL PUMP COVER	1	机油泵盖密封垫	属于件4, 不可单独 (belongs to Part No.4.can't buy separately)
9		ROTOR,OIL PUMP INNER	ROTOR,OIL PUMP INNER		机油泵内转子	(belongs to Part No.4.can't buy separately)属于件4, 不可单独
10		ROTOR,OIL PUMP OUTER	ROTOR,OIL PUMP OUTER		机油泵外转子	属于件4, 不可单独 (belongs to Part No.4.can't buy separately)
11		SPINDLE,OIL PUMP	SPINDLE,OIL PUMP		机油泵轴	属于件4, 不可单独 (belongs to Part No.4.can't buy separately)
12		SLEEVE,OIL PUMP	SLEEVE,OIL PUMP		机油泵轴套	油泵体轴套;(sleeve for sprocket of oil pump)
13	380820093-0001	BUSH,OIL PUMP SPROCKET	BUSH,OIL PUMP SPROCKET		衬套	
14	130250002-0001	SCREEN,OIL FILTER	SCREEN,OIL FILTER		机油滤网	弯φ7*11,长190 (curvø7*11,length190)
15	380740057-0001	TUBE, BREATHER	TUBE, BREATHER		通气管	Φ11;镀锌铸Q09 (colour zinc plated)
16	380600011-0001	CLAMP BREATHER TUBE	CLAMP BREATHER TUBE		管夹	M6*202 A 灰黑 (black)
17	110250002-0001	BOLT A,CYLINDER STUD	BOLT A,CYLINDER STUD		双头螺栓A	M6*194 B 灰黑 (black)
18	110250002-0002	BOLT B,CYLINDER STUD	BOLT B,CYLINDER STUD		双头螺栓B	铝垫圈12*20*2 (aluminum washer)
19	380600011-0001	WASHER, DRAIN PLUG	WASHER, DRAIN PLUG		平垫圈	10*14
20	110200003-0001	PIN,KNOCK	PIN,KNOCK		定位销	M12x1.5;镀锌白锌(white zinc plated)
21	380200015-0001	BOLT, DRAIN PLUG	BOLT, DRAIN PLUG		密封螺栓	M6*16
22		SCREW	SCREW		十字槽盘头螺钉	M6*22
23	380200021-0001	SCREW	SCREW		十字槽盘头螺钉	属于件4, 不可单独 (belongs to Part No.4.can't buy separately)
24	380740020-0001	SCREW	SCREW		十字槽盘头螺钉	M6*50镀锌白锌 (blue, white zinc plated)
25	380740032-0001	BOLT,FLANGE	BOLT,FLANGE		六角头法兰面螺栓	M6*60镀锌白锌 (blue, white zinc plated)
26	380740032-0002	BOLT,FLANGE	BOLT,FLANGE		六角头法兰面螺栓	M6*65镀锌白锌 (blue, white zinc plated)
27	380740059-0006	BOLT,FLANGE	BOLT,FLANGE		六角头法兰面螺栓	

E-6 CLUTCH

A - Assembly



POS.	PART NO	ERP CODE	ENGLISH NAME	QTY	NAME	NAME
A	TS0090		Complete Assembly			
1	7.6.9180	CLUTCH ASSY	CLUTCH ASSY	1	离合器总成	69齿, 17齿
2	380340000-0001	NUT	NUT	1	六角螺母	GB/T6170-M8
3	380600011-0001	GASKET	GASKET	1	平垫圈	8*14*2
4	380600011-0002	O-RING	O-RING	1	密封圈	
5	130890000-0001	VALVE, ADJUSTING	VALVE, ADJUSTING	1	离合器回位调节螺栓	改进型, 10*40白锌(improved, white zinc)
6	130620002-0001	PIPE OIL IN	PIPE OIL IN	1	进油管	
7	380740032-0001	SPRING OIL IN	SPRING OIL IN	1	进油管弹簧	
8	380220004-0001	BOLT	BOLT	4	十字槽盘头螺钉	M5, L=12;镀锌白锌 (blue,white zinc plated)
9	380630024-0001	BEARING	BEARING	1	轴承	
10	130360002-0001	END COVER,CLUTCH	END COVER,CLUTCH	1	离合器端盖	
11	130310002-0001	GASKET,CLUTCH END COVER	GASKET,CLUTCH END COVER	1	离合器端盖密封垫	
12	380681000-0001	NUT	NUT	1	圆螺母	M14, 牙距1
13	380680000-0001	WASHER,DISC	WASHER,DISC	1	碟形垫圈	d=14, D=24, h=1.2
14	130490000-0001	WASHER	WASHER	1	止退垫圈	离合器紧固件垫圈(nut washer for clutch)
15	130530000-0001	OUTER COVER ASSY,CLUTCH	OUTER COVER ASSY,CLUTCH	1	离合器外罩	
16	130560000-0001	SPRING, CLUTCH	SPRING, CLUTCH	4	离合器主弹簧	
17	130560000-0002	DAMPER SPRING,CLUTCH	DAMPER SPRING,CLUTCH	4	离合器减振簧	
18	130560000-0003	DRIVING PLATE	DRIVING PLATE	1	主动盘	
19	130610000-0001	CIRCLIP	CIRCLIP	1	飞块限位环	
20	130560000-0004	CIRCLIP	CIRCLIP	1	飞块止动环	不可单独 (can't buy separately)
21	380740074-0001	BLOCK	BLOCK	1	飞块	不可单独 (can't buy separately)
22	130620000-0001	SPRING	SPRING	4	压簧	离合器分离合器弹簧(clutch separate spring)
23	130620000-0002	HUB ASSY, CLUTCH	HUB ASSY, CLUTCH	1	离合器中心套	

24	130690011	BOSS, CLUTCH	1	主动齿轮外壳	定心滑套 (pin bush)
25	380570059	WASHER	1	波形垫圈	不可单独 (can't buy separately)
26	380550058	SPRING, COLLAR	1	弹性挡圈	
27	130400003	DISK, CLUTCH FRICTION	2	从动摩擦片	
28	130430003	PLATE, CLUTCH LOWER	1	主动摩擦片	
29	130670002	PLATE, CLUTCH UPPER	2	离合器上板	
30	380550011	CIRCLIP	1	弹性挡圈	
31	130630013	GEAR, PRIMARY DRIVE	1	主动齿轮	
32	380620071	BUSH	1	轴套	
33	380620071	WASHER	1	衬套	不可单独 (can't buy separately)
34	380570004	CIRCLIP	1	挡圈	初级从动齿(primary driven gear)
35	130360016	PRIMARY DRIVEN GEAR COMP	1	从动齿轮	

E-7 GENERATOR/LEFT CRANKCASE COVER

POS.	PART NO	ERP CODE	ENGLISH NAME	QTY	NAME	NAME
A	TS0091		Complete Assembly			
1	110400022	0004	COVER,L,CRANKCASE	1	左前盖	小垂盖 6极
2	2.1.02.1140		GENERATOR	1	磁电机部件	磁电机部件
3	270700039		FLYWHEEL COMP	1	磁电机转子部件	六极螺 极式,带本体
4	380550058		STATOR COMP.	1	磁电机定子部件	六极 12V全波 (6pole-12V full wave)
5	380550058		OIL SEAL	1	油封	
6	1303770006		SPROCKET COMP,STARTING	1	电启动从动轮部件	70D小垂盖 (Xiaoguaiguai)
7	7.6.1009		CHAIN,STARTING	1	超动链条	62节
8	380370011		NUT	1	六角法兰螺母	M10x1.25 磁电机螺母: (generator nut)
9	380600054		OIL SEAL	1	油封	30*42*4,SCI
10	380600053		O-RING	1	密封胶圈	107*2CII
11	110310002		DISK COVER	1	盘盖	
12	380600064		O-RING	1	密封胶圈	丁腈橡胶NBR 1.8*7.5 (NBR)
13	110440011		SMALL CAP EYEHOLE	1	视孔盖	
14	380600012		PIN	3	定位销	8*12
15	380140017	0005	BOLT	4	六角头法兰面螺栓	M6, L=28;镀面白锌Q16 (blue,white zinc plated)
16	380140020	0003	BOLT,FLANGE	1	六角头法兰面螺栓	M6, L=50;镀面白锌Q16 (blue,white zinc plated)
17	380110019		BOLT	2	六角头法兰面螺栓	
18	110430011		BIG CAP EYEHOLE	1	左装饰盖	
19	380600053		O-RING	1	密封胶圈	D=27.4, d=2.4
20	380600026		O-RING	1	密封胶圈	丁腈橡胶NBR 2.5*13.8 (NBR)
21	110620103		BACKL,COVER	1	左后盖	小垂盖-13#;1#银白W01 (silver white)
22	380140017	0005	BOLT	2	六角头法兰面螺栓	GB/T16674.1-M6*28镀面白锌 (blue,white zinc plated)

E-8 PISTON/CRANKSHAFT COMP

POS.	PART NO	ERP CODE	ENGLISH NAME	QTY	NAME	NAME
A	TS0092		Complete Assembly			
1	2.1.02.1180		PISTON RING SET	1	活塞环组合	一环、二环、刮片镀铬(Chrome plated doctor blade)
2	130140004		CRANKSHAFT COMP.	1	曲柄连杆部件	属 曲柄连杆部件(basic quantity for crankshaft)
3	2.1.02.1170		PISTON	1	活塞	
4	7.6.2003		PIN,PISTON	1	活塞销	
5	380560006-0001		CLIP,PISTON PIN	2	钢丝挡圈	活塞销挡圈,氧化Q07(pin piston circle,oxidation)
6	130150005-0001		ROD,CONNECTING	1	连杆	属于件2, 不可单独 (belongs to Part No.2,can't buy separately)
7	130220002		CRANKSHAFT COMP.,R.	1	右曲柄	
8	130220003		CRANKSHAFT COMP.,L.	1	左曲柄	
9	130220002		PIN,CRANK	1	曲柄销	
10	380620002		SPROCKET TIMING	1	正时主动轮	
11	380630002		KEY,WOODRUFF	1	键	
12	380630022		BEARING 6304	2	轴承	
13	380630023		NEEDLE BEARING	1	轴承	

E-9 MAINSHAFT/COUNTERSHAFT ASSY

POS.	PART NO	ERP CODE	ENGLISH NAME	QTY	NAME	NAME
A	TS0093		Complete Assembly			
1	380530026		TRANSMISSION ASSY	1	主副轴零件	单极传动(纯电专用);(monopole transmission)
2	380550018		CIRCLIP	1	弹性挡圈	d=17, S=1.2
3	191260030-0001		MAINSHAFT	1	主轴	属于件17, 不可单独 (belongs to Part No.17,can't buy separately)
4	380540018-0001		GASKET	1	轴肩挡圈	轴径14, 外径26, 厚度0.5(shaft diameter14-external diameter26-thickness0.5)
5	380630027		BEARING	1	轴承	HK14*20*12
6	380540018-0001		GASKET	1	轴间挡圈	轴径14, 外径26, 厚度0.5(shaft diameter14-external diameter26-thickness0.5)
7	191420026-0001		DRIVING GEAR,1ST COUNTERSHAFT	1	副轴一档齿轮	属于件1, 不可单独 (belongs to Part No.1,can't buy separately)
8	380550018		CIRCLIP	1	弹性挡圈	d=17, S=1.2
9	191400046-0001		COUNTERSHAFT	1	副轴	属于件1, 不可单独 (belongs to Part No.1,can't buy separately)
10	380630022		BEARING	1	轴承	
11	380600053		OIL SEAL	1	油封	d=17, D=29, b=5
12	130160016		SPROCKET,DRIVE	1	副轴主动轮	42#-13齿 带凹,氧化(oxidation)
13	130160002		PLATE, FIXING	1	副轴主动轮固定板	普通镀锌铁 (ordinary colour zinc plated)
14	380670002		BOLT	2	六角头螺栓	M6, L=8;镀彩锌Q09 (colour zinc plated)
15	191270003-0001		DRIVING GEAR,1ST MAINSHAFT	1	主轴一档齿轮	属于件17, 不可单独 (belongs to Part No.17,can't buy separately)
16	191380043-0001		COUNTERSHAFT ASSY	1	副轴部件	属于件1, 不可单独 (belongs to Part No.1,can't buy separately)
17	191230014		MAINSHAFT ASSY	1	主轴部件	
18	380630019		BEARING	1	轴承	滚针轴承NK13.5*22*12 (bearing)
19	380630022		BEARING	1	轴承	

E-10 CAM CHAIN/TENSIONER

POS.	PART NO	ERP CODE	ENGLISH NAME	QTY	NAME	NAME
A	TS0094		Complete Assembly			
1	140610001-0001		CHAIN,CAM	1	正时链条	84 滚子链;基本品质(roller chain;basic quality)
2	150130001-0001		SPINDLE CAM CHAIN GUIDE SPROCKET	1	油泵链轮轴	氧化Q07(oxidation)
3	141160001-0001		ARM COMP.,CAM CHAIN TENSIONER	1	链条张紧臂组合	
4	141210001-0001		ROLLER,CAM CHAIN TENSIONER	1	链条张紧轮	
5	140500002-0001		SPROCKET,CAM	1	正时从动轮	链轮 28齿(sprocket-28teeth)
6	141210001-0001		ROLLER COMP.,CAM CHAIN TENSIONER	1	链条导向轮	
7	380600003		BOLT,KNOCK	3	正时螺栓	M5x12
8	141270001-0001		WASHER,8MM	1	平垫圈	
9	130179001-0001		PIN, CAM CHAIN GUIDE ROLLER	1	导向链轮轴	镀面白锌 Q16 (blue,white zinc plated)
10	141200001-0001		SPROCKET,OIL PUMP	1	油泵主动轮	链轮;sprocket
11	141200001-0001		PIVOT,CAM CHAIN TENSIONER	1	张紧臂芯轴	发黑 (black)
12	141200001-0001		HEAD,CAM CHAIN TENSIONER PUSH ROD	1	堵头	属于件13, 不可单独 (belongs to Part No.13,can't buy separately)
13	141080001-0001		ROD COMP.,CAM CHAIN TENSIONER PUSH	1	链条张紧杆组合	带头
14	380115000-0001		SPRING,CAM CHAIN TENSIONER	1	压簧	双系杆弹簧SPRING,CAM CHAIN TENSIONER
15	380450054-0001		WASHER,SEALING	1	平垫圈	内径14.2,外径20,厚度1.5 (external diameter20 internal diameter14.2-thickness1.5)
16	110260004-0004		BOLT,SEALING	1	密封螺塞	M14x1.5;镀面白锌 Q16 (blue,white zinc plated)

