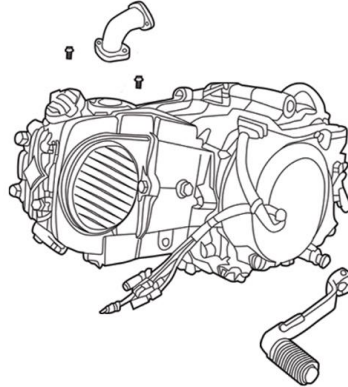




ENGINE# 1P47MD

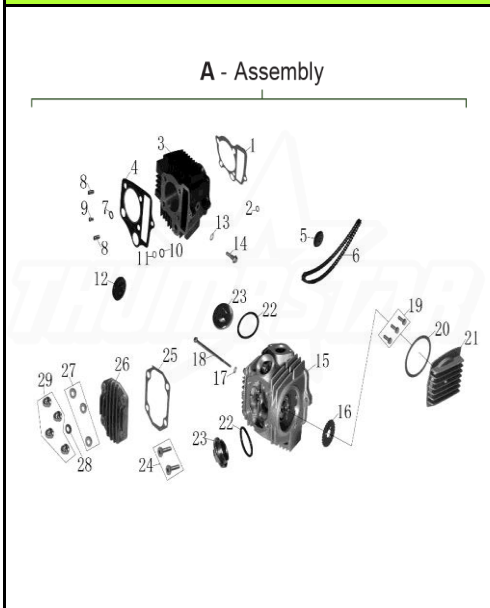
70CC ENGINE



thumpstar.com.au
thumpstar.co.nz
thumpstarusa.com

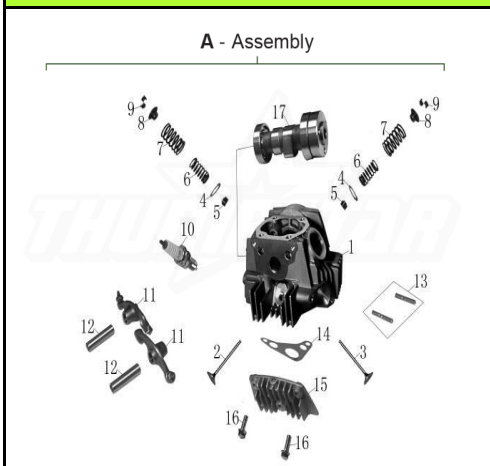
FOR ILLUSTRATION ONLY

E-1 CYLINDER ASSY



POS.	PART NO	ERP CODE	ENGLISH NAME	QTY	NAME
A	TS0001		COMPLETE ASSEMBLY		
1	P110001	72130030	Gasket, Cylin Block	1	HD70 [E1-1] 汽缸体密封垫
2	P110002	73010519	Rectangle oil seal ϕ 14 \times ϕ 19 \times 2.5	1	HD70 [E1-2] 回油道矩形圈
3	P110003	27010001	Cylinder body	1	HD70 [E1-3] 汽缸体
4	P110004	72130039	Cylinder head gasket	1	HD70 [E1-4] 汽缸头密封垫
5	P110005	73010459	Tension wheel	1	HD70 [E1-5] 张紧轮
6	P110006	15160008	Timing chain	1	HD70 [E1-6] 正时链条
7	P110007	73010518	Rectangle seal-ring ϕ 9 \times ϕ 12 \times 1.5	1	HD70 [E1-7] 翻口矩形圈
8	P110008	72060012	Dowel pin,cylinder head	2	HD70 [E1-8] 定位销 ϕ 8 \times 14 \times 6.3
9	P110009	72060024	Connect oil bush, cylinder	1	HD70 [E1-9] 汽缸通油衬套
10	P110010	73010520	Oil pipe washer	1	HD70 [E1-10] 回油道密封圈
11	P110011	72040162	Washe	1	HD70 [E1-11] 回油道铝垫圈
12	P110012	73010460	Oriented wheel	1	HD70 [E1-12] 导向轮
13	P110013	72040162	Washe	1	HD70 [E1-13] 垫片
14	P110014	72010811	Pin axle, Oriented wheel	1	HD70 [E1-14] 导向轮轴销
15	P110015	22010001	Cylinder Head Comp	1	HD70 [E1-15] 汽缸头组合总成
16	P110016	15170064	Timing driven sprocket	1	HD70 [E1-16] 正时从动链轮
17	P110017	72040279	Washe	1	HD70 [E1-17] 铝垫片
18	P110018	72010409	Bolt M6x110	1	HD70 [E1-18] 螺栓M6x110
19	P110019	72010824	Bolt M5x12	3	HD70 [E1-19] 螺栓M5x12
20	P110020	72130057	Cylinder head L-cover gasket	1	HD70 [E1-20] 左小盖垫
21	P110021	22120002	Cylinder head L-cover	1	HD70 [E1-21] 汽缸头左小盖
22	P110022	72150003	Valve cover O-ring	2	HD70 [E1-22] O型圈30.8x3.2
23	P110023	72140002	Valve cover	2	HD70 [E1-23] 气门盖
24	P110024	72010661	Bolt	2	HD70 [E1-24] 连接螺栓
25	P110025	72130061	ylinder head cover gasket	1	HD70 [E1-25] 汽缸头盖密封垫
26	P110026	22150025	Cylinder head cover	1	HD70 [E1-26] 汽缸头盖
27	P110027	72040088	Washe	3	HD70 [E1-27] 垫圈 ϕ 6
28	P110028	72040280	Washe	1	HD70 [E1-28] 铝垫片
29	P110029	72020081	Cap nut	4	HD70 [E1-29] 盖型螺母M6

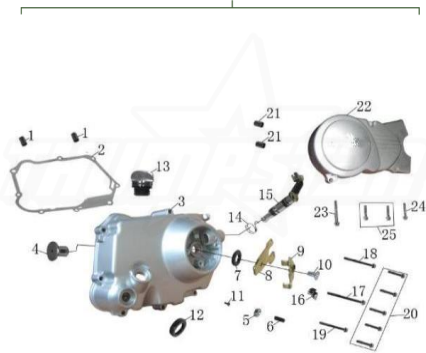
E-2 VALVE MECHANISM



POS.	PART NO	ERP CODE	ENGLISH NAME	QTY	NAME
A	TS0002		Complete Assembly		
1	P110030	22010001	Cylinder body assembly assy	1	HD70 [E2-1] 汽缸头组合
2	P110031	22020001	Valve, intake	1	HD70 [E2-2] 进气门
3	P110032	22020002	Valve, exhaust	1	HD70 [E2-3] 排气门
4	P110033	73030487	Seat,Valve Outer Spring	2	HD70 [E2-4] 气门弹簧垫片
5	P110034	72110025	Seal,Valve Stem	2	HD70 [E2-5] 挡油罩
6	P110035	72120001	Outer Spring,Valve	2	HD70 [E2-6] 气门内弹簧
7	P110036	72120007	Inlier Spring,Valve	2	HD70 [E2-7] 气门外弹簧
8	P110037	22040002	Clip,Valve	4	HD70 [E2-8] 气门锁夹
9	P110038	22030001	Retainer,Valve Spring	2	HD70 [E2-9] 气门弹簧上座
10	P110039	31170002	Spark Plug	1	HD70 [E2-10] 火花塞
11	P110040	22050001	Intake valve rocker arm	2	HD70 [E2-11] 气门摇臂
12	P110041	22070001	Rocker arm shaft	2	HD70 [E2-12] 摇臂轴
13	P110042	72010420	Bolt M6x32	2	HD70 [E2-13] 双头螺栓M6x32
14	P110043	72130060	Cylinder head R-cover gasket	1	HD70 [E2-14] 汽缸头右盖密封垫
15	P110044	22130001	R-oil seal retainer	1	HD70 [E2-15] 右小盖组件
16	P110045	72010159	Bolt M6x20	2	HD70 [E2-16] 螺栓M6x20
17	P110046	22080001	Camshaft assembly assy	1	HD70 [E2-17] 凸轮轴装配组合

E-3 CRANKCASE COVER

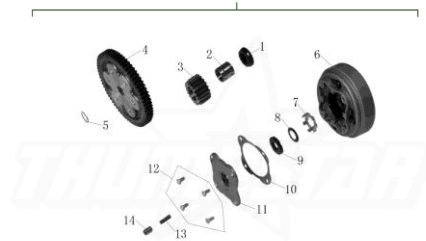
A - Assembly



POS.	PART NO	ERP CODE	ENGLISH NAME	QTY	NAME
A	TS0002		Complete Assembly		
1	P110047	72060013	Dowel pin	2	HD70 [E3-1] 定位销 φ8×12
2	P110048	72130021	R-crankcase cover gasket	1	HD70 [E3-2] 右曲轴箱盖密封胶垫
3	P110049	13010056	R-crankcase cover assy	1	HD70 [E3-3] 右曲轴箱盖组合
4	P110050	22090004	Clutch handspike	1	HD70 [E3-4] 分离推杆
5	P110051	72020013	Nut M6	1	HD70 [E3-5] M6螺母
6	P110052	72010471	Screw	1	HD70 [E3-6] 调节螺钉
7	P110053	72110019	Oil seal, handspike	1	HD70 [E3-7] 油封φ21×φ12×4
8	P110054	73030485	Joy stick press plank, clutch	1	HD70 [E3-8] 离合器操纵杆压板
9	P110055	73030486	Clutch dial plank	1	HD70 [E3-9] 离合器拨板
10	P110056	72010155	Bolt M6x12	1	HD70 [E3-10] 螺栓M6x12
11	P110057	72060025	Orientation pin, clutch joy stick	1	HD70 [E3-11] 离合器操纵杆定位销
12	P110058	13030001	Observe window, Oil	1	HD70 [E3-12] 机油观察窗
13	P110059	73010172	Dipstick	1	HD70 [E3-13] 机油尺
14	P110060	72120010	Spring, clutch joy stick	1	HD70 [E3-14] 离合器操纵杆弹簧
15	P110061	24030001	Clutch joy stick assy	1	HD70 [E3-15] 离合器操纵杆组合
16	P110062	73030481	High press line claw	1	HD70 [E3-16] 高压线夹
17	P110063	72010177	Bolt M6x85	1	HD70 [E3-17] 螺栓M6x85
18	P110064	72010176	Bolt M6x80	1	HD70 [E3-18] 螺栓M6x80
19	P110065	72010392	Bolt M6x65	1	HD70 [E3-19] 螺栓M6x65
20	P110066	72010389	Bolt M6x40	5	HD70 [E3-20] 螺栓M6x40
21	P110067	72060013	Dowel pin	2	HD70 [E3-21] 定位销φ8×12
22	P110068	14030005	L-crankcase assy	1	HD70 [E3-22] 左曲轴箱盖
23	P110069	72010393	Bolt M6x70	1	HD70 [E3-23] 螺栓 M6x70
24	P110070	72010173	Bolt M6x50	1	HD70 [E3-24] 螺栓 M6x50
25	P110071	72010389	Bolt M6x40	2	HD70 [E3-25] 螺栓 M6x40
26	P110072	72010390	Bolt M6x55	2	HD70 [E3-26] 螺栓 M6x55

E-4 CLUTCH

A - Assembly



POS.	PART NO	ERP CODE	ENGLISH NAME	QTY	NAME
A	TS0003		Complete Assembly		
1	P110073	24020027	Bush, primary initiative gear	1	HD70 [E4-1] 初级主动齿衬套
2	P110074	24070012	Washer, primary initiative gear	1	HD70 [E4-2] 初级主动齿衬垫
3	P110075	24020001	Primary initiative gear	1	HD70 [E4-3] 初级主动齿轮
4	P110076	24020003	Primary driven gear assy	1	HD70 [E4-4] 初级从动齿轮
5	P110077	72080014	Retainer ring	1	HD70 [E4-5] 轴用档圈
6	P110078	24120004	Automatism clutch	1	HD70 [E4-6] 离合器组件
7	P110079	24070005	Washer	1	HD70 [E4-7] 止退垫片
8	P110080	24070022	Butterfly washer	1	HD70 [E4-8] 碟形垫圈
9	P110081	72020094	Clutch fixing nut	1	HD70 [E4-9] 锁紧螺母
10	P110082	72130068	Seal cushion, clutch end cover	1	HD70 [E4-10] 离合器端盖垫
11	P110083	24070017	End cover, clutch	1	HD70 [E4-11] 离合器端盖
12	P110084	72030028	Bolt M5x12	4	HD70 [E4-12] 螺栓M5x12
13	P110085	24070004	Connect oil pipe, crankshaft	1	HD70 [E4-13] 通油管
14	P110086	24070003	Spring, connect oil pipe	1	HD70 [E4-14] 通油管弹簧

E-6 MAGNETO

A - Assembly



POS.	PART NO	ERP CODE	ENGLISH NAME	QTY	NAME
A	TS0004		Complete Assembly		
1	P110087	31140002	Stator	1	HD70 [E6-1] 磁电机定子组合
2	P110088	72010151	Bolt M6x16	2	HD70 [E6-2] 螺栓 M6x16
3	P110089	31150001	Rotor	1	HD70 [E6-3] 磁电机转子组合
4	P110090	72020043	Lock nut	1	HD70 [E6-4] 磁电机紧固螺母

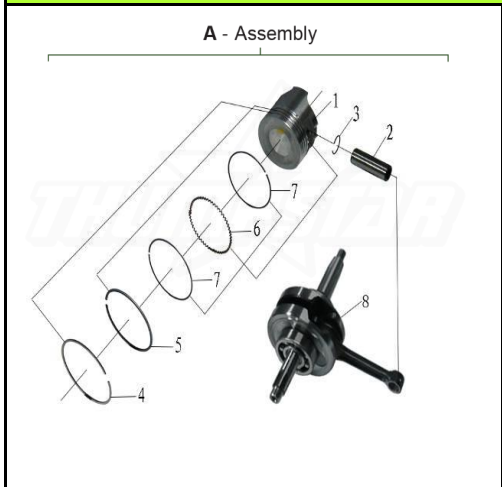
E-7 CRANKCASE

A - Assembly



POS.	PART NO	ERP CODE	ENGLISH NAME	QTY	NAME
A	TS0005		Complete Assembly		
1	P110091	12010014	R-crankcase assy	1	HD70 [E7-1] 右曲轴箱组合
2	P110092	70090055	Bearing 6203	1	HD70 [E7-2] 滚针轴承6203
3	P110093	70090014	Bearing NK1412	1	HD70 [E7-3] 滚动轴承NK1412
4	P110094	11030001	Tension arm assy	1	HD70 [E7-4] 张紧臂组合
5	P110095	72010528	Tension arm bolt	1	HD70 [E7-5] 张紧臂螺钉
6	P110096	11030002	Tension lever weave	1	HD70 [E7-6] 张紧杆组合
7	P110097	72120025	Spring, Tension lever	1	HD70 [E7-7] 张紧杆弹簧
8	P110098	72040152	Washer	1	HD70 [E7-8] 铝垫片
9	P110099	72010474	Bolt	1	HD70 [E7-9] M14六角螺栓
10	P110100	20040001	Shaft, oil pump	1	HD70 [E7-10] 机油泵轴
11	P110101	73010504	Initiative chain wheel, oil pump	1	HD70 [E7-11] 机油泵主动链轮
12	P110102	15100003	Location plate	1	HD70 [E7-12] 限位块
13	P110103	72010159	Bolt M6x20	2	HD70 [E7-13] 螺栓M6x20
14	P110104	72060012	Dowel pinφ8×14	2	HD70 [E7-14] 定位销φ8×14
15	P110105	72130002	Crankcase gasket	1	HD70 [E7-15] 曲轴箱密封胶垫
16	P110106	11010001	L-crankcase assy	1	HD70 [E7-16] 左曲轴箱组合
17	P110107	70090013	Bearing	1	HD70 [E7-17] 滚针NK13.5/12
18	P110108	70090055	Bearing	1	HD70 [E7-18] 轴承6203
19	P110109	72040159	Washer	1	HD70 [E7-19] 铝垫片
20	P110110	72010582	Fuel screw	1	HD70 [E7-20] 放油螺栓
21	P110111	72030203	Lock screw	1	HD70 [E7-21] 回位弹簧止动螺钉
22	P110112	72010147	Bolt M6x60	2	HD70 [E7-22] 螺栓M6x60
23	P110113	73030479	Pipe nip, case body waste pipe	1	HD70 [E7-23] 箱体废气管夹
24	P110114	72010390	Bolt M6x45	1	HD70 [E7-24] 螺栓M6x45
25	P110115	73030480	Spill oil pipe nip	1	HD70 [E7-25] 溢流管夹
26	P110116	72010392	Bolt M6x65	4	HD70 [E7-26] 螺栓M6x65
27	P110117	11040050	Display connector, gear shift	1	HD70 [E7-27] 档位联动头
28	P110118	72030263	Bolt	1	HD70 [E7-28] 内六角螺栓
29	P110119	11040001	Wire harness	1	HD70 [E7-29] 档位线组合
30	P110120	11040051	Gear cable clip plate	1	HD70 [E7-30] 档位线压板
31	P110121	72030198	Screw M6x12	1	HD70 [E7-31] 十字螺栓M6x12
32	P110122	72060012	Dowel pinφ8×14	2	HD70 [E7-32] 定位销φ8×14
33	P110123	72010442	Cylinder bolt A	2	HD70 [E7-33] 气缸螺栓AM6x196
34	P110124	72010449	Cylinder bolt B	2	HD70 [E7-34] 气缸螺栓BM6x188
35	P110125		Dowel pinφ10×14	2	HD70 [E7-35] 定位销φ10×14

E-8 CRANKSHAFT & PISTON&CONNECTING R



POS.	PART NO	ERP CODE	ENGLISH NAME	QTY	NAME
A	TS0006		Complete Assembly		
1	P110126	21020001	Piston	1	HD70 [E8-1] 活塞Φ39
2	P110127	21040001	Piston pin	1	HD70 [E8-2] 活塞销
3	P110128	72080008	Piston pin circlip	2	HD70 [E8-3] 活塞销挡圈
4	P110129	21030500	Piston ring 1	1	HD70 [E8-4] 活塞环 (一)
5	P110130	21030501	Piston ring 2	1	HD70 [E8-5] 活塞环 (二)
6	P110131	21030079	Oil cup	1	HD70 [E8-6] 油环
7	P110132	21030078	Side ring	2	HD70 [E8-7] 侧环
8	P110133	21010001	Crankshaft connecting rod assy	1	HD70 [E8-8] 曲柄连杆组合

E-9 TRANSMISSION



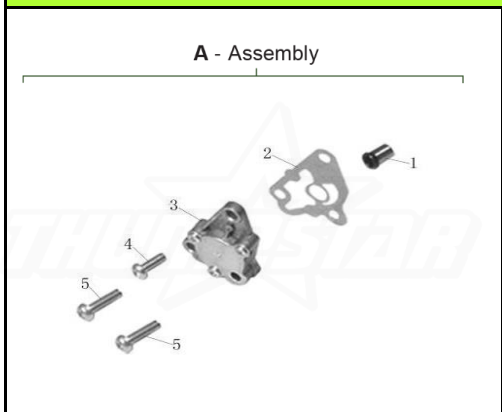
POS.	PART NO	ERP CODE	ENGLISH NAME	QTY	NAME
A	TS0007		Complete Assembly		
1	P110134	15020002	Principal axis assy	1	HD70 [E9-1] 主轴组合
2	P110135	15030001	Countershaft assy	1	HD70 [E9-2] 副轴组合
3	P110136	15010001	Assy, start axes	1	HD70 [E9-3] 启动轴组合
4	P110137		Washer	1	HD70 [E9-4] 启动轴垫片

E-10 GEARSHIFT DRUM



POS.	PART NO	ERP CODE	ENGLISH NAME	QTY	NAME
A	TS0008		Complete Assembly		
1	P110138	15050002	Drum set, gearshift	1	HD70 [E10-1] 变速鼓组件
2	P110139	15070001	SHAFT, GEARSHIFT188mm	1	HD70 [E10-2] 换挡轴总成188mm
3	P110140	15080001	Limit Block	1	HD70 [E10-3] 档位定位板组合
4	P110141	72120013	Spring	1	HD70 [E10-4] 定位板弹簧
5	P110142	72010161	Bolt M6x22	1	HD70 [E10-5] 螺栓M6x22

E-11 OIL PUMP



POS.	PART NO	ERP CODE	ENGLISH NAME	QTY	NAME
A	TS0008		Complete Assembly		
1	P110143	20020002	Bush, oil pupm	1	HD70 [E11-1] 机油泵轴套
2	P110144	72130063	Gasket, oil pump	1	HD70 [E11-2] 机油泵密封垫
3	P110145	20010001	Oil pupm assy	1	HD70 [E11-3] 机油泵总成
4	P110146	72030021	BoltM6x16	1	HD70 [E11-4] 螺栓M6x16
5	P110147	72030168	BoltM6x22	2	HD70 [E11-5] 螺栓M6x22

